

PRODUCT INFORMATION PACKET

Model No: 5K49NN2180
Catalog No: K224
2,3450,DP,56C,3/60/208-230/460
Three Phase



Regal and Marathon are trademarks of Regal Beloit Corporation or one of its affiliated companies.
©2018 Regal Beloit Corporation, All Rights Reserved. MC017097E



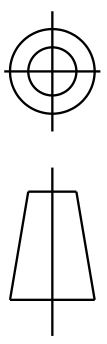
Nameplate Specifications

Output HP	2 Hp	Output KW	1.5 kW
Frequency	60 Hz	Voltage	208-230/460 V
Current	6.0-6.0,3.0 A	Speed	3450 rpm
Service Factor	1.2	Phase	3
Efficiency	85.8 %	Duty	Continuous
Insulation Class	B	Design Code	B
KVA Code	H	Frame	56C
Enclosure	Drip Proof	Overload Protector	N/R
Ambient Temperature	40 °C	Drive End Bearing Size	6203
Opp Drive End Bearing Size	6203	UL	Recognized
CSA	Yes	CE	N

Technical Specifications

Electrical Type	Three Phase	Starting Method	N/R
Poles	2	Rotation	Counterclockwise/Clockwise
Mounting	Round	Motor Orientation	ANY
Drive End Bearing	LOCKED	Opp Drive End Bearing	BALL
Frame Material	Rolled Steel	Overall Length	11.33 in
Frame Length	7.15 in	Shaft Diameter	0.63 in
Shaft Extension	1.88 in	Thru-bolts Extension	0
Outline Drawing	52A109648P2	Connection Diagram	113A930FIG2

This is an uncontrolled document once printed or downloaded and is subject to change without notice. Date Created: 10/08/2018



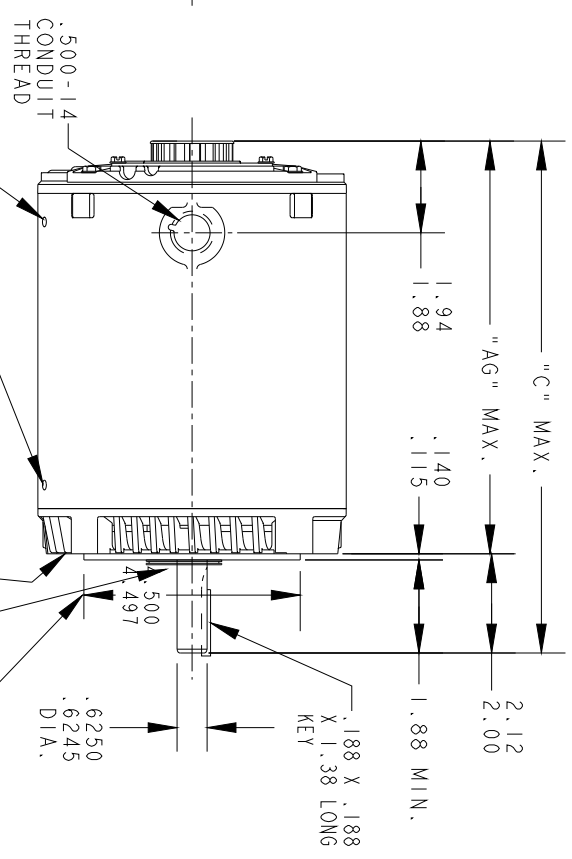
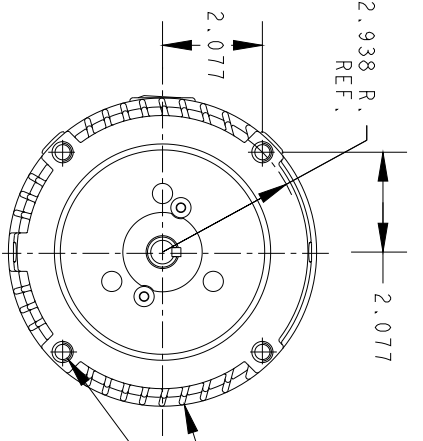
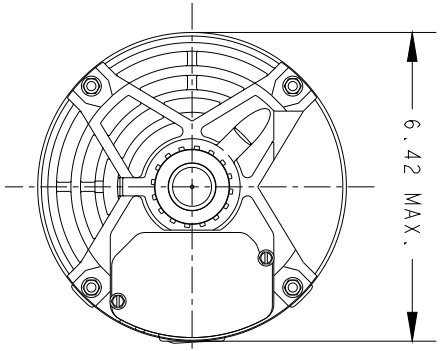
THIRD ANGLE PROJECTION

52A109648

DRAWING NO.

A

REVISIONS		REV.	DESCRIPTION	DATE	APPROVED
3	ADDED PT#5 PER DS05-0574.	05/04/05	K.P.G		
4	CHG TO RBC FORMAT PER IS05-1777	03/22/06	SUDHA		
5	"SLINGER" ADDED PER IS11-5514	12/01/2012	KOTI		



VIEW OF P.E. END SHIELD

.375-16UNC-2B (4 HOLES) .70 MIN. FULL THREAD. THESE HOLES FIT A GAGE HAVING A RABBET 4.5005 DIA. AND 4 PINS .2917 DIA. LOCATED ON THE BASIC HOLE POSITION

ALL DIMENSIONS ARE IN INCHES

5	4	3	2	1	P
K	K	K	K	K	TYPE
49	49	48	49	46	GE SIZE
56C	56C	56C	56C	56C	NEMA FR.
13.81	9.52	12.61	11.33	10.73	"C"
11.69	7.40	10.49	9.21	8.61	"AG"
					MIN. SHELL

SIGNATURES		DATE
MODEL	M.D.PAPE	07/14/94
DETAIL		
CHECKED		
ENGRG		
MFG		
QUALITY		
ISSUED	M.D.PAPE	07/14/94
APPLIED PRACTICES		
DIMENSIONS ARE IN INCHES		
MATERIAL	SOLID MODEL: 52A109648	



REGAL-BELOTT CORPORATION

OUTLINE

GENERAL PURPOSE MOTOR - DRIP PROOF - BALL BEARING R2 END MOUNTED FMF - 40 FRAME REDESIGN

52A109648

SCALE: 0.250 REF. No: SHEET 1 of 1

REVISIONS

REV.	DESCRIPTION	DATE	APPROVED
1	CHG TO RBC FORMAT PER IS05-1777	06/15/06	MADHU
2	RENAMED 113A930_FIG-2 TO 113A930FIG2 PER IS07-0972	05/08/07	MADHU

This document is the property of REGAL-BELOIT CORPORATION ("RBC") including its subsidiaries and divisions and contains proprietary information of RBC. This document is loaned on the express condition that neither the recipient nor any other person shall be permitted to disclose or disseminate the information contained herein without the express written consent of RBC. The recipient shall be held responsible for the return of this document to RBC upon its request. This document shall be restricted to RBC upon its request. This document may be subject to certain restrictions under U.S. export control laws and regulations.

THIRD ANGLE PROJECTION

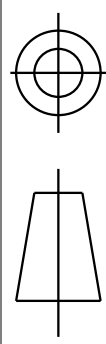
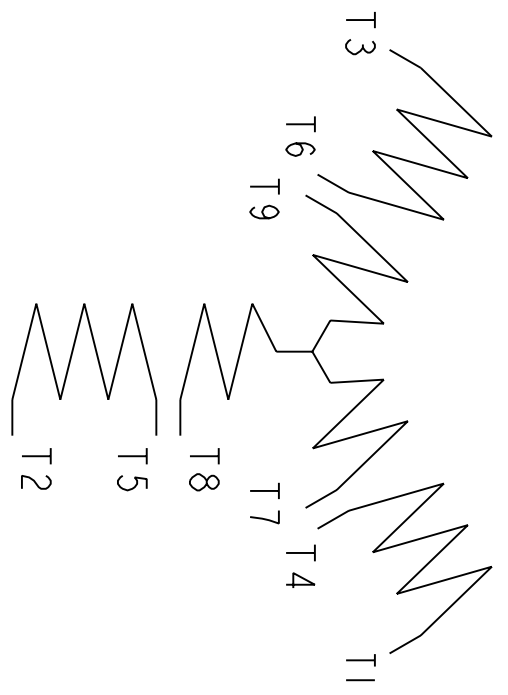


FIG. 2

3 PHASE



	VOLTS	L1	L2	L3	TOGETHER
2Y	LOW	1-7	2-8	3-9	4-5-6
1Y	HIGH	1	2	3	4-7, 5-8, 6-9

BRAKE MOTORS : CONNECT BRAKE LEADS B1 & B2 TO MOTOR LEADS T7 & T8.

FOR ADDITIONAL INFO REFER TO:

APPLIED PRACTICES	SIGNATURES	DATE
DIMENSIONS ARE IN INCHES	M.D. PAPE	02/25/03
DETAIL		
CHECKED		
ENGRG		
MFG		
QUALITY		
ISSUED	M.D. PAPE	02/25/03



REGAL-BELOIT CORPORATION

TITLE CONNECTION DIAGRAM

TOLERANCE ON:	FINISH
1 PL DECIMALS ± 0.1	✓
2 PL DECIMALS ± 0.02	
3 PL DECIMALS ± 0.005	
ANGLES ± 1.0	
FRACTIONS ±	
MATERIAL	SOLID MODEL: 113A930FIG2

SIZE	DRAWING	SCALE	REF. No.	SHEET	REV
A		1.000		1 of 1	2

113A930FIG2

REV 2