

PRODUCT INFORMATION PACKET

Model No: 5KC35MN43
Catalog No: G1330
1/3, 1800, TEFC, 56, 1/60/115/230
Totally Enclosed Fan Cooled (TEFC)



Regal and Marathon are trademarks of Regal Beloit Corporation or one of its affiliated companies.
©2018 Regal Beloit Corporation, All Rights Reserved. MC017097E





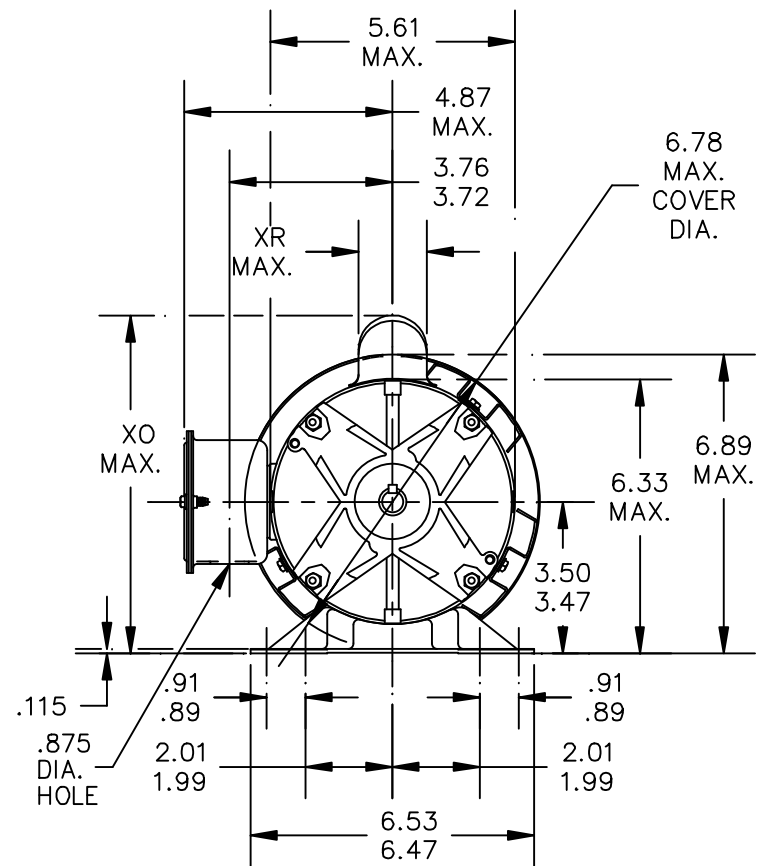
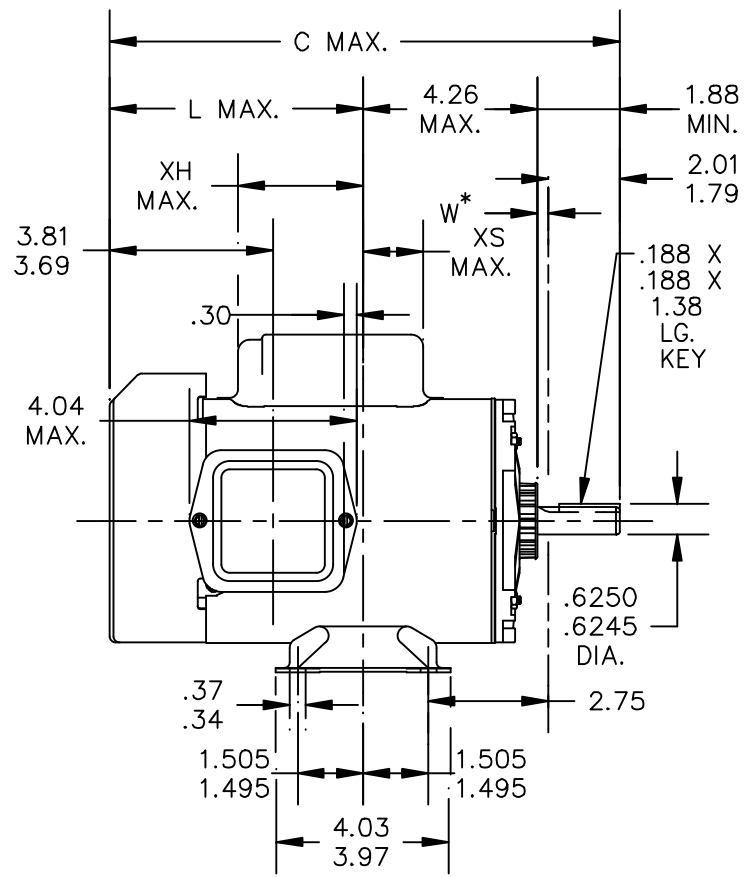
Nameplate Specifications

Output HP	0.33 Hp	Output KW	0.25 kW
Frequency	60 Hz	Voltage	115/230 V
Current	6.0,3.0 A	Speed	1725 rpm
Service Factor	1.15	Phase	1
Efficiency	57.7 %	Duty	Continuous
Insulation Class	B	KVA Code	L
Frame	56	Enclosure	Totally Enclosed Fan Cooled
Overload Protector	N/R	Ambient Temperature	40 °C
Drive End Bearing Size	6203	Opp Drive End Bearing Size	6203
UL	Recognized	CSA	Yes
CE	N		

Technical Specifications

Electrical Type	Capacitor start(CSIR)	Starting Method	SM
Poles	4	Rotation	Counterclockwise/Clockwise
Mounting	Rigid base	Motor Orientation	Any
Drive End Bearing	BALL	Opp Drive End Bearing	BALL
Frame Material	Rolled Steel	Overall Length	10.9 in
Frame Length	5.79 in	Shaft Diameter	0.630 in
Shaft Extension	1.88 in		
Outline Drawing	52A101983P2	Connection Diagram	52A105381BA

This is an uncontrolled document once printed or downloaded and is subject to change without notice. Date Created: 06/28/2018



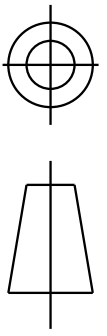
W* IS A CLEARANCE DUE TO VARIATION IN PARTS AND ASSEMBLY

5	KC	38	56	12.36	6.18	3.58	7.81	1.60	2.09		10	KC	32	56	10.38	4.24	1.89	7.81	1.60	2.52	
4	KC	37	56	11.76	5.58	2.98	7.81	1.60	2.69		9	KC	37	56	11.76	5.58	2.98	8.43	2.22	2.69	
3	KC	36	56	11.36	5.18	2.58	7.81	1.60	2.69		8	KC	35	56	10.93	4.75	2.15	8.43	2.22	2.31	
2	KC	35	56	10.93	4.75	2.15	7.81	1.60	2.31		7	KC	32	56	10.30	4.12	1.52	7.81	1.60	2.46	
1	KC	33	56	10.55	4.37	1.77	7.81	1.60	2.71		6	KC	39	56	12.89	6.71	4.11	8.43	2.22	1.56	7.75
P	TYPE	RBC SIZE	NEMA FR	C	L	XH	XO	XR	XS	SHELL LGTH.	P	TYPE	RBC SIZE	NEMA FR	C	L	XH	XO	XR	XS	SHELL LGTH.

										REGAL-BELOIT CORPORATION					DRAWN D.E.K 07/22/76					
										TOLERANCES UNLESS SPECIFIED DEC. INCHES .X ±0.1 .XX ±0.02 .XXX ±0.005 .XXXX ±0.0005 ANG ±1.0					CHK					
										TITLE					APPD MDP 05/24/96					
										OUTLINE					SCALE 1=1					
										TOTALLY ENCLOSED OUTBOARD FAN - WELDED BASE					REF					
										MAT'L.					FMF					
										FINISH					PREV					
13 RE DRAWN IN DRAFTSIGHT -NO CHANGES PVR 09/08/12 PKG										CAD FILE 52A101983					SIZE A		DRAWING NO. 52A101983		REV. 13	
12 PER IS05-2681 R.K 10/19/05										DIST										
NO. REVISION BY & DATE																				

THIS DRAWING IN DESIGN AND DETAIL IS OUR PROPERTY AND MUST NOT BE USED EXCEPT IN CONNECTION WITH OUR WORK ALL RIGHTS OF DESIGN AND INVENTION ARE RESERVED THIS IS AN ELECTRONICALLY GENERATED DOCUMENT - DO NOT SCALE THIS PRINT

THIRD ANGLE PROJECTION

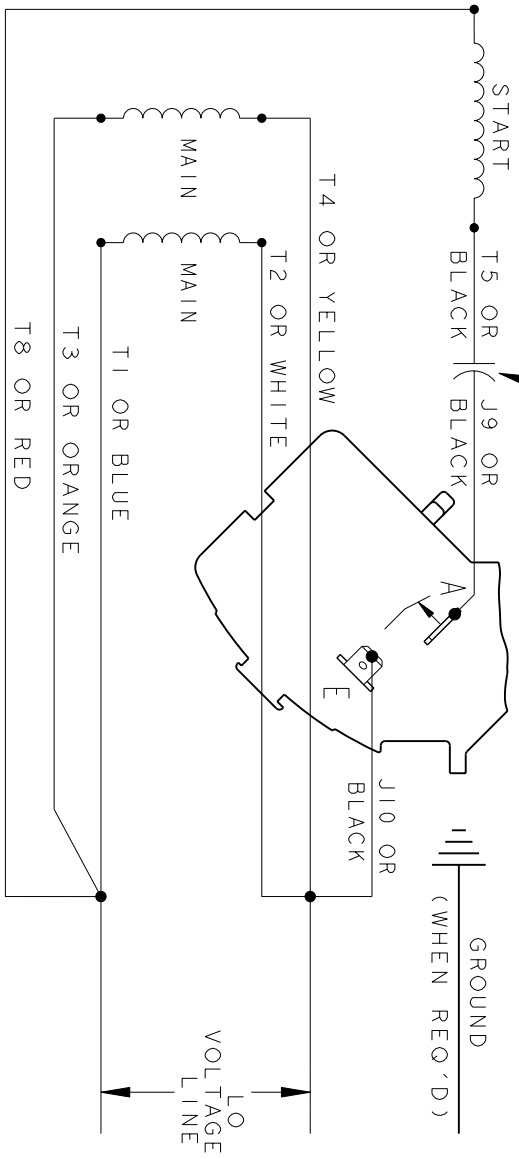


REVISIONS

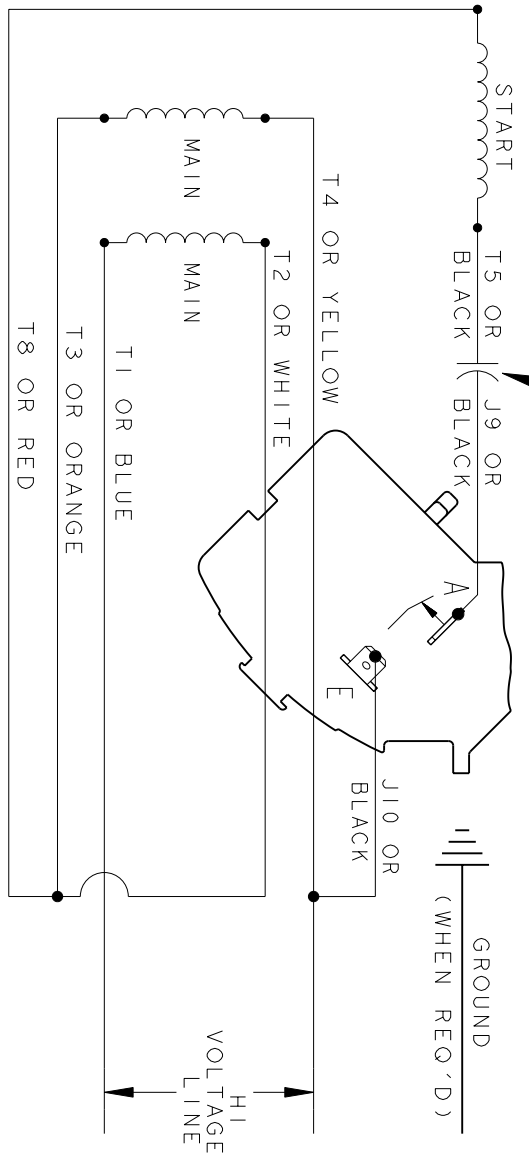
REV.	DESCRIPTION	DATE	APPROVED
3	UPDATED FORMAT	01/04/06	MAM

CCW/CW ROTATION - DUAL VOLTAGE
TYPE KC OR KH

CAPACITOR AS SHOWN FOR KC MOTORS ONLY. LEAD T5 BLACK CONNECTED DIRECTLY TO TERMINAL BOARD FOR KH MOTORS.



CAPACITOR AS SHOWN FOR KC MOTORS ONLY. LEAD T5 BLACK CONNECTED DIRECTLY TO TERMINAL BOARD FOR KH MOTORS.



NOTE#1 - TO REVERSE ROTATION, INTERCHANGE T8 RED AND J10 BLACK LEADS.
NOTE#2 - WHEN MORE THAN ONE CAPACITOR IS USED, CONNECT IN PARALLEL.

SWITCH (H) - 115D958AA

REF. DIAG. - 113A326

CONNECTION LABEL - 52X332917



REGAL-BELOIT CORPORATION

SIGNATURES		DATE
MODEL	M.D. PAPE	06/29/87
DETAIL		
CHECKED		
ENGRG		
MFG		
QUALITY		
ISSUED	M.D.P.	06/29/87
SOLID MODEL:	52A105381BA	

TITLE		REGAL-BELOIT CORPORATION	
CONNECTION DIAGRAM			
SIZE	DRAWING	FME:	30 FRAME SWITCH REDESIGN
A			
SCALE:	1.000	REF. No.:	
		REV	3
		SHEET 1 of 1	