

PRODUCT INFORMATION PACKET

Model No: 5KC36JN268X
Catalog No: C330
1/2,3450,DP,56C,1/60/115/230
Single Phase



Regal and Marathon are trademarks of Regal Beloit Corporation or one of its affiliated companies.
©2018 Regal Beloit Corporation, All Rights Reserved. MC017097E



Nameplate Specifications

Output HP	1/2 Hp	Output KW	0.37 kW
Frequency	60 Hz	Voltage	115/230 V
Current	7.6,3.8 A	Speed	3450 rpm
Service Factor	1.6	Phase	1
Efficiency	62.3 %	Duty	Continuous
Insulation Class	B	KVA Code	M
Frame	56C	Enclosure	Drip Proof
Overload Protector	AUTO	Ambient Temperature	40 °C
Drive End Bearing Size	6203	Opp Drive End Bearing Size	6203
UL	Recognized	CSA	Yes
CE	N		

Technical Specifications

Electrical Type	Capacitor Start Induction Run	Starting Method	SM
Poles	2	Rotation	Clockwise/Counterclockwise
Mounting	Round	Motor Orientation	ANY
Drive End Bearing	LOCKED	Opp Drive End Bearing	BALL
Frame Material	Rolled Steel	Overall Length	10.31 in
Frame Length	6.22 in	Shaft Diameter	0.63 in
Shaft Extension	1.88 in	Thru-bolts Extension	0
Outline Drawing	52A102689P3	Connection Diagram	52A105383AA

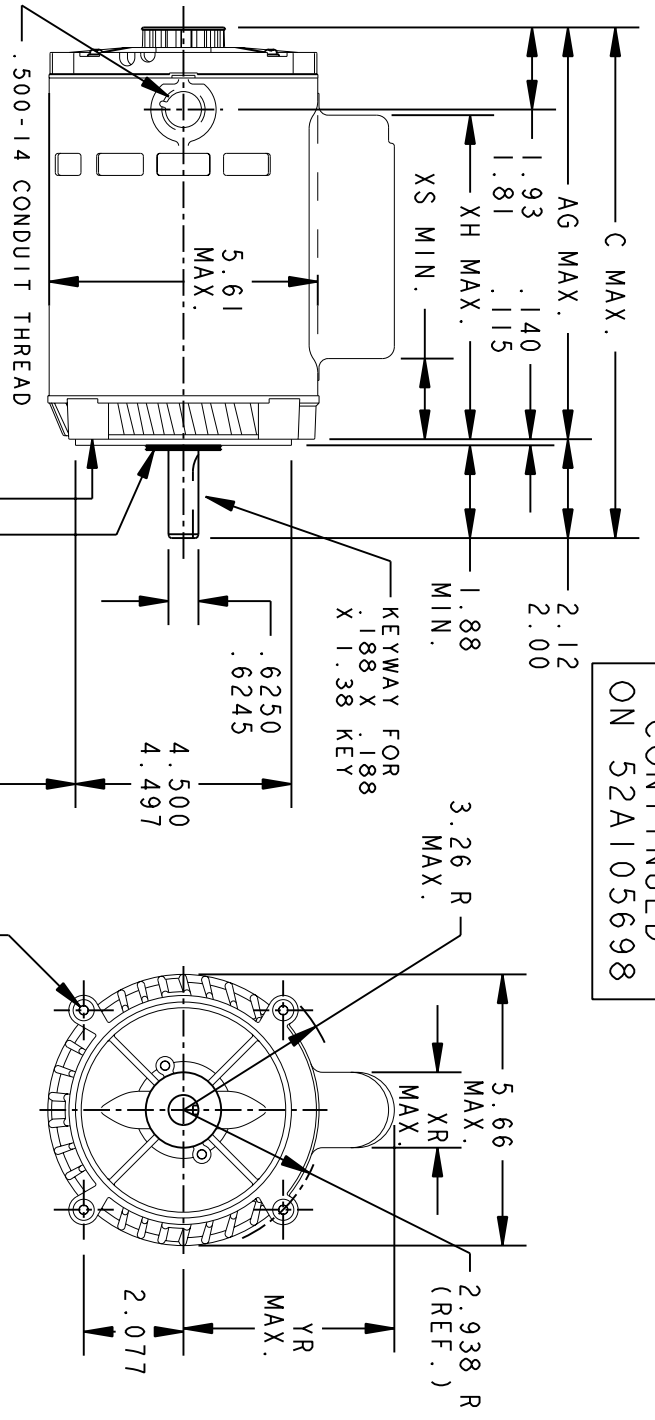
This is an uncontrolled document once printed or downloaded and is subject to change without notice. Date Created: 10/08/2018



THIRD ANGLE PROJECTION

REVISIONS		REVISED	
REV.	DESCRIPTION	DATE	APPROVED
9	1.88 MIN. WAS 1.88 MAX	07/30/92	BLJ
10	FORMAT CHG PER ISAAC 05-1777	01/06/06	RAJKUMAR
11	UPDATED AS PER ISAAC 06-0816	04/06/06	ARCHANA

CONTINUED
ON 52A105698



FACE RUNOUT (WITH INDICATOR MOUNTED STATIONARY RELATIVE TO SHAFT) MUST NOT EXCEED .004 T.I.R.

WATER SLINGER (WHEN SPECIFIED)

ECCENTRICITY OF THIS SURFACE (WITH INDICATOR MOUNTED STATIONARY RELATIVE TO SHAFT) MUST NOT EXCEED .004 T.I.R.

.375-16 UNC-2B (4 HOLES) .82 MIN. FULL THD. THESE HOLES FIT A GAGE HAVING A RABBET 4.5005 DIA. AND 4 PINS .2917 DIA. LOCATED ON THE BASIC HOLE POSITIONS.

P	TYPE	GE	NEMA	FR	C	AG	XS	XH	XR	YR	SHELL REF.
8	KC	39	56C	12.59	10.49	2.66	8.32	1.60	4.34	8.50	
7	KC	39	56C	12.59	10.49	3.27	8.91	1.60	4.34	8.50	
6	KC	39	56C	11.84	9.74	2.52	8.16	1.60	4.34	7.75	
5	KC	38	56C	11.31	9.21	1.99	7.63	1.60	4.34		
4	KC	37	56C	10.71	8.61	1.39	7.03	1.60	4.34		
3	KC	36	56C	10.31	8.21	1.39	6.63	1.60	4.34		
2	KC	37	56C	10.71	8.61	1.39	7.03	2.22	4.96		
1	KC	39	56C	12.59	10.49	3.02	8.66	1.60	4.34	8.50	
P	TYPE	GE	NEMA	FR	C	AG	XS	XH	XR	YR	SHELL REF.



REGAL-BELOTT CORPORATION

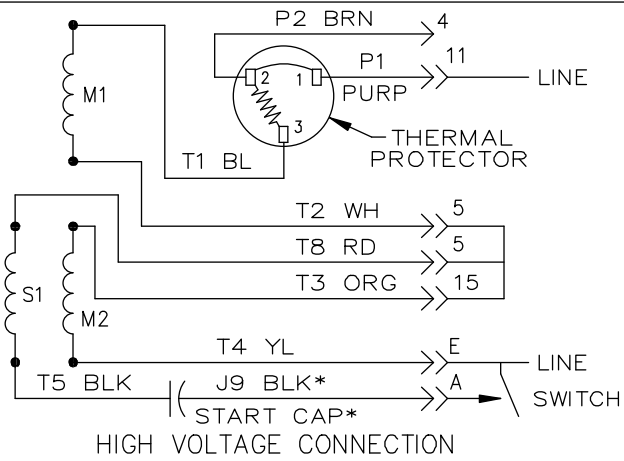
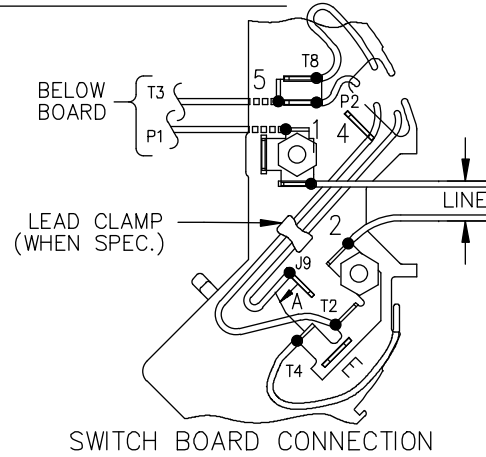
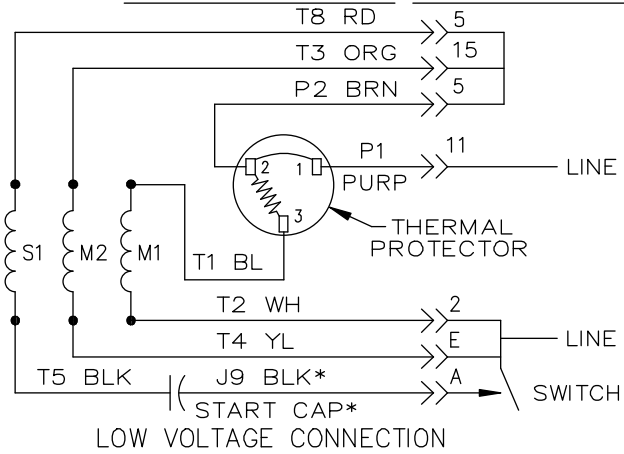
OUTLINE

FORM N - PUMP MOTOR - DRIP PROOF - R2 END MOUNTED
SLEEVE & BALL BEARING - FMF:5K37MM134T

SIGNATURES		DATE
MODEL	B.A.C	04/24/78
DETAIL		
CHECKED		
ENGRG		
MFG		
QUALITY		
ISSUED	B.L.J	03/23/92
APPLIED PRACTICES		
DIMENSIONS ARE IN INCHES		
MATERIAL	SOLID MODEL: 52A102689	

SCALE: 0.250	REF. No.:	SHEET 1 of 1
SIZE: DRAWING A	REV 11	
52A102689		

EITHER ROTATION, DUAL VOLTAGE, TYPE KC OR KH, WITH THERMAL PROTECTION



NOTE #1 - START CAP & J9 WHEN SPECIFIED (*). IF NO CAPACITOR (KH), CONNECT T5 DIRECTLY TO SWITCH (A). WHEN MORE THAN ONE CAPACITOR IS USED, CONNECT IN PARALLEL.

NOTE #2 - TO REVERSE ROTATION, INTER CHANGE RD(T8) AND BLK(J9-KC OR T5-KH) LEADS.

SWITCH REF. - 115D958AB	CONNECTION LABEL	CCW ROTATION: NP52X332051AA
		CW ROTATION: NP52X332051AC

NO.	REVISION	BY & DATE	CHK	ANG	TOLERANCES UNLESS SPECIFIED		FINISH	DRAWING NO.	REV.		
					DEC.	INCHES					
					.X	±0.1	<p>REGAL-BELOIT CORPORATION</p> <p>TITLE CONNECTION DIAGRAM 30 FRAME SWITCH REDESIGN</p>	DRAWN M.D.P 06/29/87			
					.XX	±0.02		CHK			
					.XXX	±0.005		APPD M.D.P 03/26/96			
5	ADDED CONNECTION LABEL PER ECO-0030779	UD 02/06/13	PKG	.XXX	±0.005	MAT'L.		SCALE 1=1			
4	UPDATED PER ISO7-0150	MD 01/23/07		.XXXX	±0.0005			REF			
					±1.0		FMF				
THIS DRAWING IN DESIGN AND DETAIL IS OUR PROPERTY AND MUST NOT BE USED EXCEPT IN CONNECTION WITH OUR WORK. ALL RIGHTS OF DESIGN AND INVENTION ARE RESERVED. THIS IS AN ELECTRONICALLY GENERATED DOCUMENT - DO NOT SCALE THIS PRINT							RFP	CAD FILE 52A105383AA	SIZE A	DRAWING NO. 52A105383AA	REV. 5
							DIST				