

PRODUCT INFORMATION PACKET

Model No: 5KC36JN269X
Catalog No: C331
1/2,3450,DP,56J,1/60/115/230
Single Phase



Regal and Marathon are trademarks of Regal Beloit Corporation or one of its affiliated companies.
©2018 Regal Beloit Corporation, All Rights Reserved. MC017097E

Nameplate Specifications

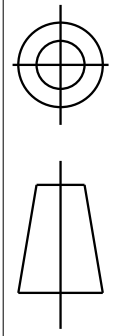
Output HP	1/2 Hp	Output KW	0.37 kW
Frequency	60 Hz	Voltage	115/230 V
Current	7.6,3.8 A	Speed	3450 rpm
Service Factor	1.6	Phase	1
Efficiency	62 %	Duty	Continuous
Insulation Class	B	KVA Code	L
Frame	56J	Enclosure	Drip Proof
Overload Protector	AUTO	Ambient Temperature	40 °C
Drive End Bearing Size	6203	Opp Drive End Bearing Size	6203
UL	Recognized	CSA	Yes
CE	N		

Technical Specifications

Electrical Type	Capacitor Start Induction Run	Starting Method	SM
Poles	2	Rotation	Clockwise
Mounting	Round	Motor Orientation	ANY
Drive End Bearing	LOCKED	Opp Drive End Bearing	BALL
Frame Material	Rolled Steel	Overall Length	10.82 in
Frame Length	6.22 in	Shaft Diameter	0.63 in
Shaft Extension	2.38 in		
Outline Drawing	52A102690P3	Connection Diagram	52A105384AA

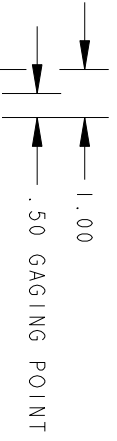
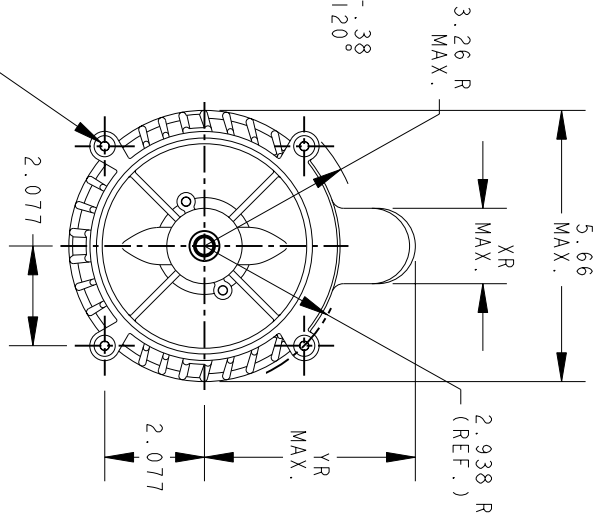
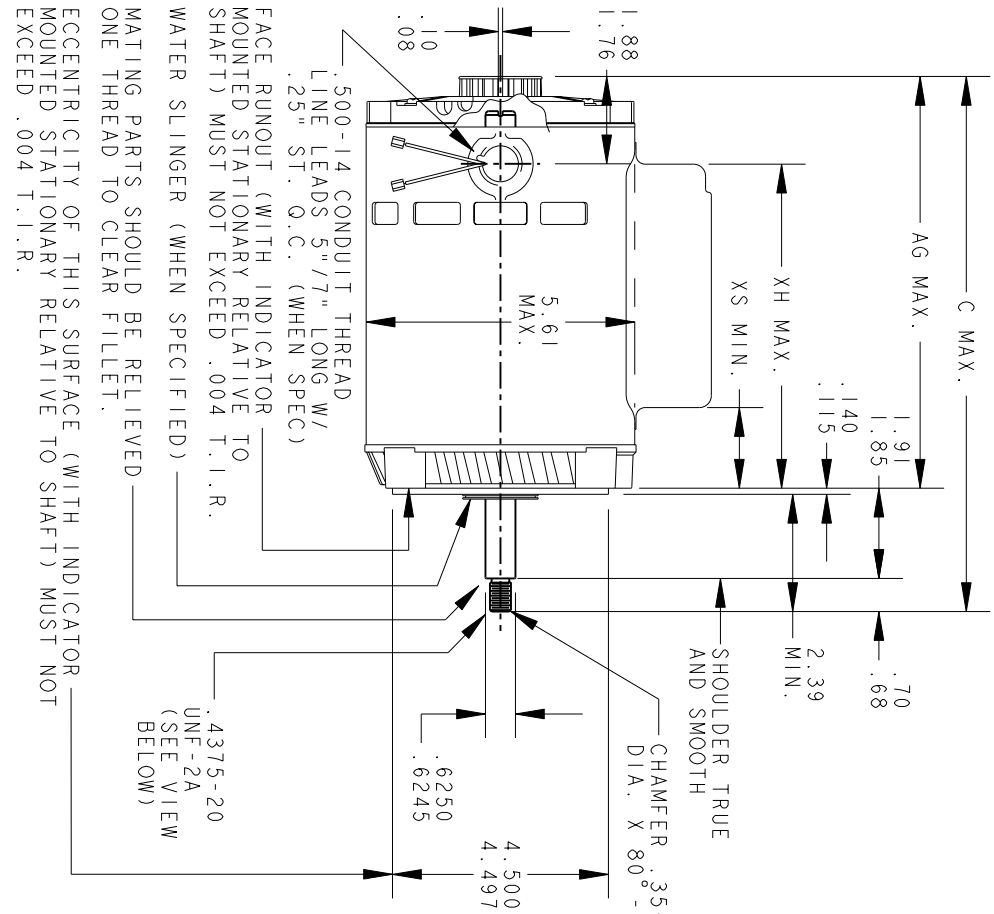
This is an uncontrolled document once printed or downloaded and is subject to change without notice. Date Created: 10/08/2018

THIRD ANGLE PROJECTION



REVISIONS

REV.	DESCRIPTION	DATE	APPROVED
9	REDRAWN BY 2M SOFTWARE CO	02/05/95	CCP
10	FORMAT CHG PER ISAAC 05-1777	01/06/06	RAJKUMAR



ECCENTRICITY OF THREADED PORTION OF SHAFT IS HELD WITHIN .004 GAGE READING WITH THE INDICATOR ON O.D. OF GROUND RING GAGE AS SHOWN, THE GAGE BEING STATIONARY WITH RESPECT TO THE ROTOR.

8	KC	37	56J	11.35	8.76	1.39	7.03	2.72	5.44		
7	KC	39	56J	13.10	10.49	3.27	8.91	1.60	4.34	8.50	
6	KC	39	56J	12.35	9.74	2.52	8.16	1.60	4.34	7.75	
5	KC	38	56J	11.82	9.21	1.99	7.63	1.60	4.34		
4	KC	37	56J	11.22	8.61	1.39	7.03	1.60	4.34		
3	KC	36	56J	10.82	8.21	1.39	6.63	1.60	4.34		
2	KC	38	56J	11.82	9.21	1.99	7.63	2.22	4.96		
1	KC	39	56J	12.35	9.74	2.19	7.83	2.22	4.96	7.75	
P	TYPE	GE	NEMA	FR	C	AG	XS	XH	XR	YR	SHELL REF.



REGAL-BELOLT CORPORATION

OUTLINE

FORM N - PUMP MOTOR - DRIP PROOF - R2 END MOUNTED
SLEEVE & BALL BEARING - FME5KC37MN135T

52A102690 10

SIGNATURES		DATE
MODEL	B.A.C	04/24/78
DETAIL		
CHECKED		
ENGRG		
MFG		
QUALITY		
ISSUED	C.C.P	02/05/95
SOLID MODEL:	52A102690	

SIZE	DRAWING	SCALE	REF. No.	SHEET
A	A	0.250		1 of 1

