

PRODUCT INFORMATION PACKET

Model No: 5KC36LN26X
Catalog No: C210
1/3, 1725, DP, 48, 1/60/115/230
Open Drip Proof (ODP)



Regal and Marathon are trademarks of Regal Beloit Corporation or one of its affiliated companies.
©2018 Regal Beloit Corporation, All Rights Reserved. MC017097E

Nameplate Specifications

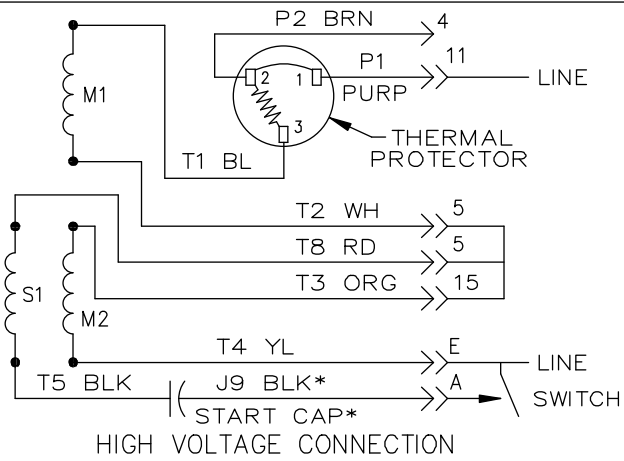
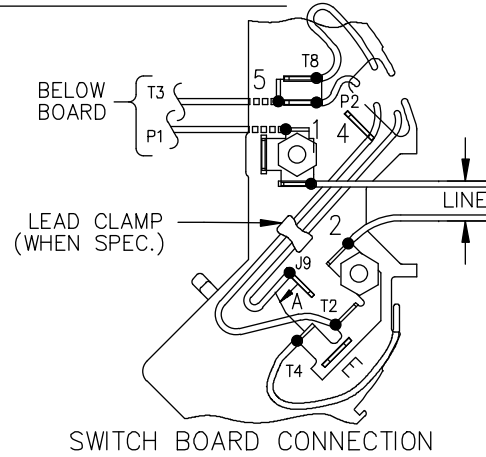
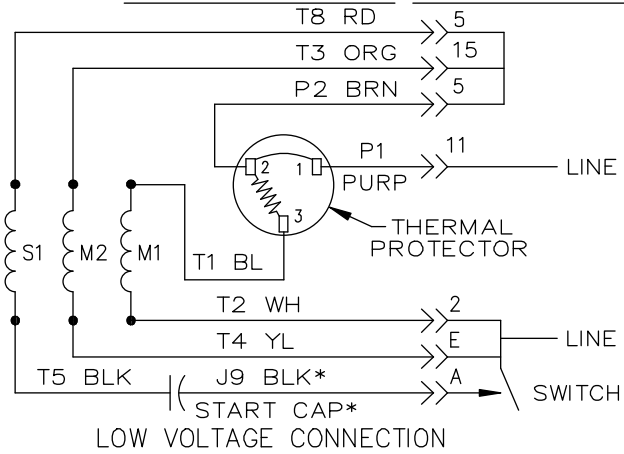
Output HP	1/3 Hp	Output KW	0.25 kW
Frequency	60 Hz	Voltage	115/208-230 V
Current	6.0,3.2-3.0 A	Speed	1725/1425 rpm
Service Factor	1.35	Phase	1
Efficiency	59.5 %	Duty	Continuous
Insulation Class	B	KVA Code	M
Frame	48	Enclosure	Drip Proof
Overload Protector	AUTO	Ambient Temperature	40 °C
Drive End Bearing Size	6203	Opp Drive End Bearing Size	6203
UL	Recognized	CSA	Yes
CE	N		

Technical Specifications

Electrical Type	Capacitor Start Induction Run	Starting Method	SM
Poles	4	Rotation	Counterclockwise/Clockwise
Mounting	Resilient Base	Motor Orientation	ANY
Drive End Bearing	BALL	Opp Drive End Bearing	BALL
Frame Material	Rolled Steel	Overall Length	10 in
Frame Length	6.22 in	Shaft Diameter	0.5 in
Shaft Extension	1.5 in		
Outline Drawing	52A101469P3	Connection Diagram	52A105383AA

This is an uncontrolled document once printed or downloaded and is subject to change without notice. Date Created: 10/08/2018

EITHER ROTATION, DUAL VOLTAGE, TYPE KC OR KH, WITH THERMAL PROTECTION



NOTE #1 - START CAP & J9 WHEN SPECIFIED (*). IF NO CAPACITOR (KH), CONNECT T5 DIRECTLY TO SWITCH (A). WHEN MORE THAN ONE CAPACITOR IS USED, CONNECT IN PARALLEL.

NOTE #2 - TO REVERSE ROTATION, INTER CHANGE RD(T8) AND BLK(J9-KC OR T5-KH) LEADS.

SWITCH REF. - 115D958AB	CONNECTION LABEL	CCW ROTATION: NP52X332051AA
		CW ROTATION: NP52X332051AC

NO.	REVISION	BY & DATE	CHK	TOLERANCES UNLESS SPECIFIED		FINISH	DRAWN M.D.P 06/29/87		
				DEC.	INCHES			DRAWING NO.	
				.X	±0.1	REGAL-BELOIT CORPORATION TITLE CONNECTION DIAGRAM 30 FRAME SWITCH REDESIGN	CHK		
				.XX	±0.02		APPD M.D.P 03/26/96		
5	ADDED CONNECTION LABEL PER ECO-0030779	UD 02/06/13	PKG	.XXX	±0.005	MAT'L.	SCALE 1=1		
4	UPDATED PER ISO7-0150	MD 01/23/07		.XXXX	±0.0005		REF		
				ANG	±1.0	PREV			
THIS DRAWING IN DESIGN AND DETAIL IS OUR PROPERTY AND MUST NOT BE USED EXCEPT IN CONNECTION WITH OUR WORK. ALL RIGHTS OF DESIGN AND INVENTION ARE RESERVED. THIS IS AN ELECTRONICALLY GENERATED DOCUMENT - DO NOT SCALE THIS PRINT				RFP	CAD FILE	52A105383AA	SIZE A	DRAWING NO. 52A105383AA	REV. 5
				DIST					