

PRODUCT INFORMATION PACKET

Model No: 5KC36PNB169
Catalog No: C646
1/4, 1800, EPNV, 48, 1/60/115/230
Explosion Proof



Regal and Marathon are trademarks of Regal Beloit Corporation or one of its affiliated companies.
©2018 Regal Beloit Corporation, All Rights Reserved. MC017097E

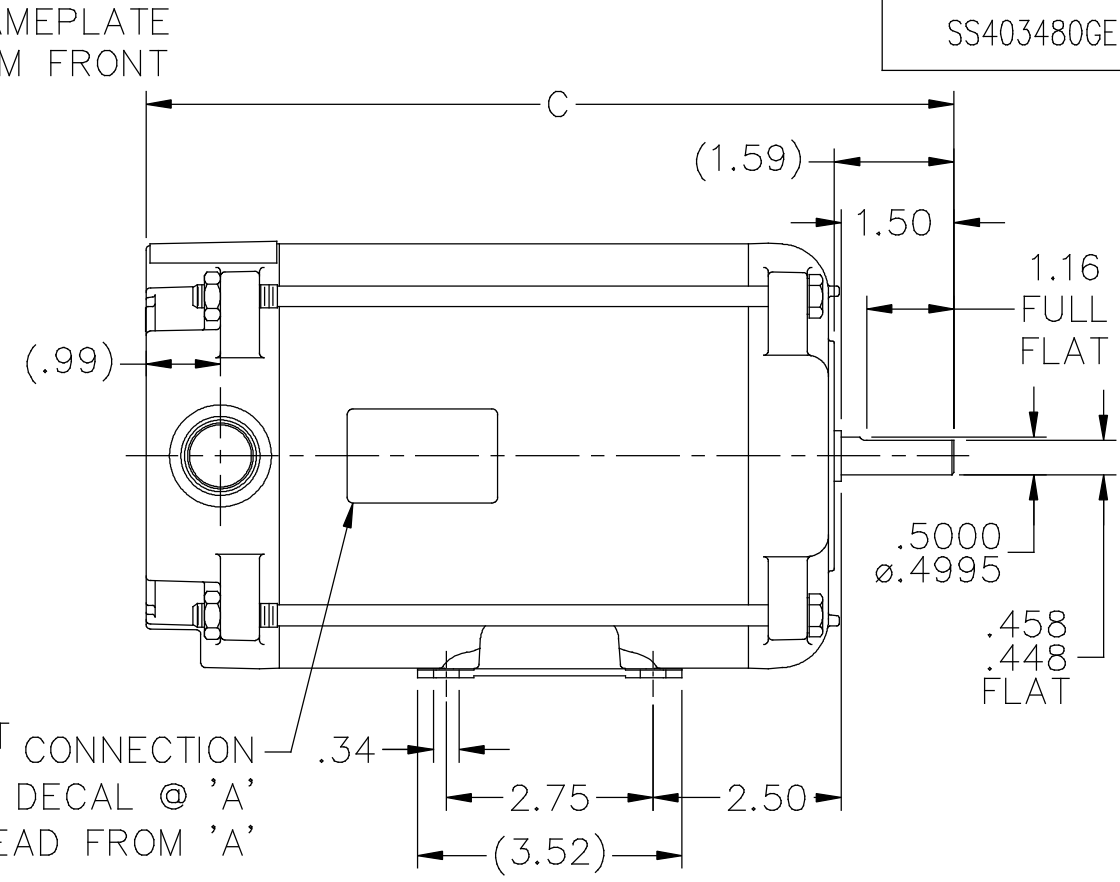
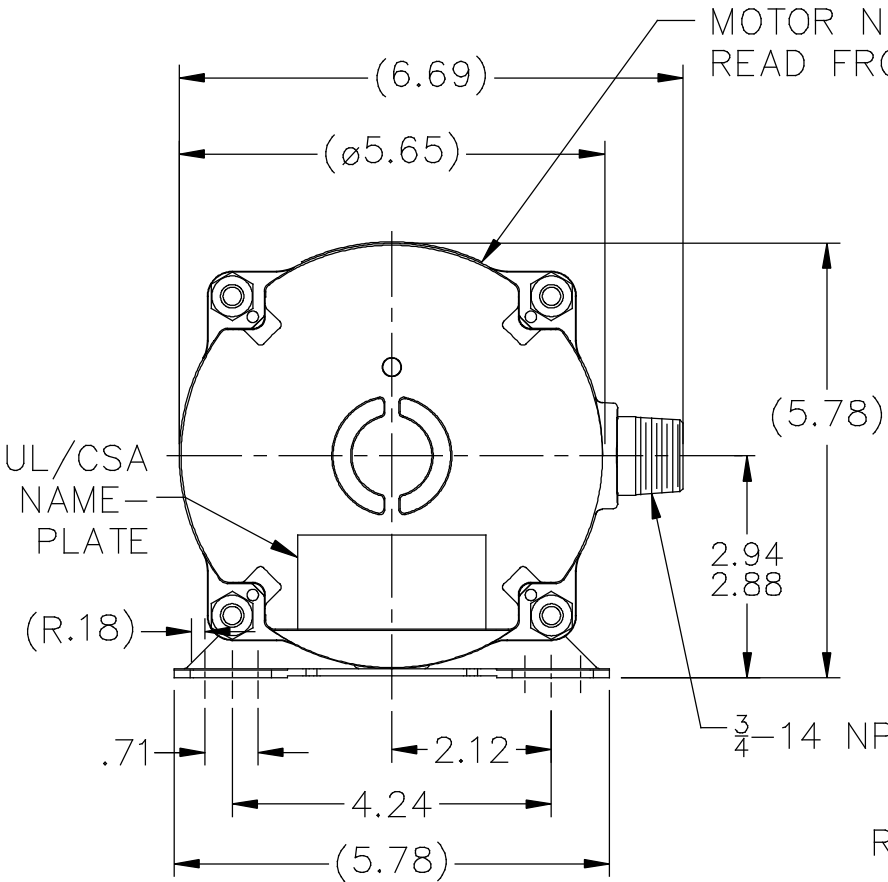
Nameplate Specifications

Output HP	0.25 Hp	Output KW	0.19 kW
Frequency	60 Hz	Voltage	115/230 V
Current	4.2/2.1 A	Speed	1725 rpm
Service Factor	1	Phase	1
Efficiency	59.5 %	Duty	Continuous
Insulation Class	B	Design Code	NO DESIGN CODE
KVA Code	L	Frame	48
Enclosure	Explosion Proof Non Ventilated	Overload Protector	Automatic
Ambient Temperature	40 °C	Drive End Bearing Size	6203
Opp Drive End Bearing Size	6203	UL	Recognized
CSA	N	CE	N
IP Code	54		

Technical Specifications

Electrical Type	Capacitor Start Induction Run	Starting Method	Across The Line
Poles	4	Rotation	Selective Counterclockwise
Mounting	Rigid Base	Motor Orientation	Horizontal
Drive End Bearing	Ball	Opp Drive End Bearing	Ball
Frame Material	Rolled Steel	Shaft Type	T
Overall Length	10.74 in	Frame Length	6.23 in
Shaft Diameter	0.500 in	Shaft Extension	1.59 in
Assembly/Box Mounting	F1 Only		
Outline Drawing	A-SS403480GE-623	Connection Diagram	A-EE9023AG-GE

This is an uncontrolled document once printed or downloaded and is subject to change without notice. Date Created: 10/08/2018



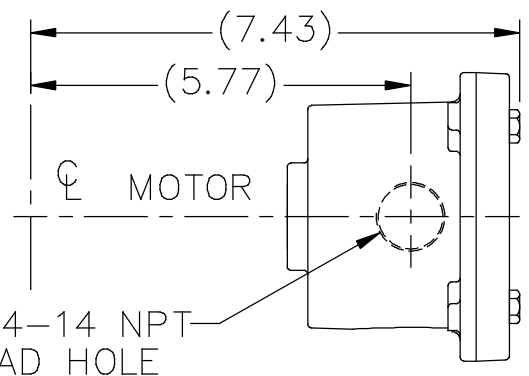
MOTOR NAMEPLATE
READ FROM FRONT

UL/CSA
NAME-
PLATE

(R.18)

3/4-14 NPT CONNECTION
DECAL @ 'A'
READ FROM 'A'

LEAD DESCRIPTION: 1 BLACK, 1 PURPLE, 1 BROWN, 1 GREEN,
1 ORANGE, 1 WHITE, 1 YELLOW, AND 1 RED ALL EXITING A
SEALED PIPE NIPPLE, 26" LONG.



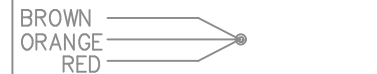
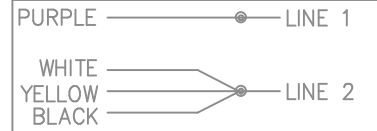
DASH	C
517	9.68
580	10.31
623	10.74

VIEW OF CONDUIT BOX

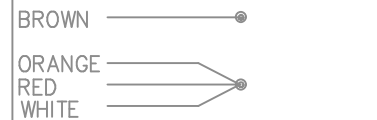
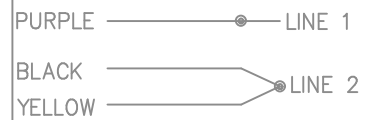
				TOLERANCES UNLESS SPECIFIED		REGAL-BELOIT CORPORATION		DRAWN RWR 03-22-2005		
				DEC.	INCHES	REGAL-BELOIT CORPORATION		CHK ML 03-23-2005		
				.X	±.1			APPD MJS 03-28-2005		
3	ADDED VIEW OF COND BOX INSTALL	ISAAC 12-5139	WGJ 03-05-2013	DD	.XX	±.03	TITLE OUTLINE 48 FRAME - XP	SCALE 3=8		
2	CHG. LEADS FROM 6" TO 26"	CN39528	RWR 08/26/2005	ML	.XXX	±.005		REF A-SS403455		
1	ADDED UL/CSA AND MOTOR NAMEPLATE	CN 46061	MJK 04/27/2005		.XXXX	±.0005		FMF		
NO.	REVISION		BY & DATE	CHK	ANG	±7'30"	FINISH	PREV		
THIS DRAWING IN DESIGN AND DETAIL IS OUR PROPERTY AND MUST NOT BE USED EXCEPT IN CONNECTION WITH OUR WORK ALL RIGHTS OF DESIGN AND INVENTION ARE RESERVED THIS IS AN ELECTRONICALLY GENERATED DOCUMENT - DO NOT SCALE THIS PRINT				RFP	03-28-2005	CAD FILE	ss403480ge	SIZE	DRAWING NO. PAGE 1 OF 1	REV.
				DIST	WP	3 of 4		A	SS403480GE	3

DUAL VOLTAGE
CAPACITOR START
OVERLOAD SELECT
ROTATION

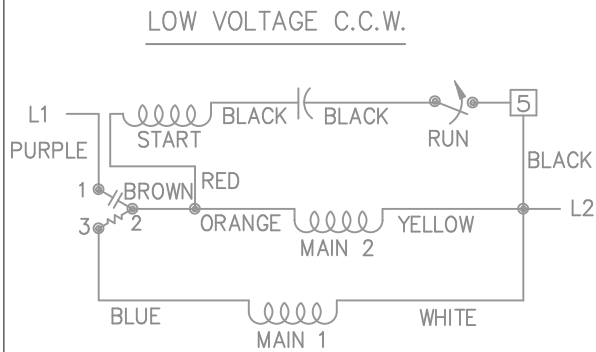
LOW VOLT. CCW ROT.



HIGH VOLT. CCW ROT.

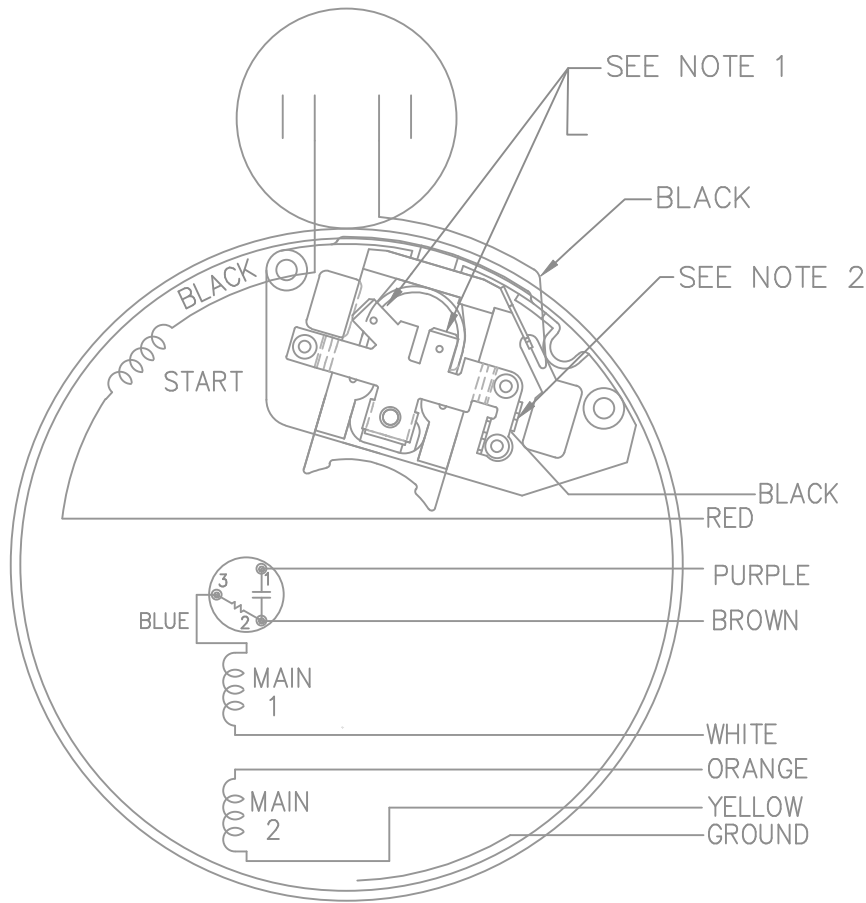
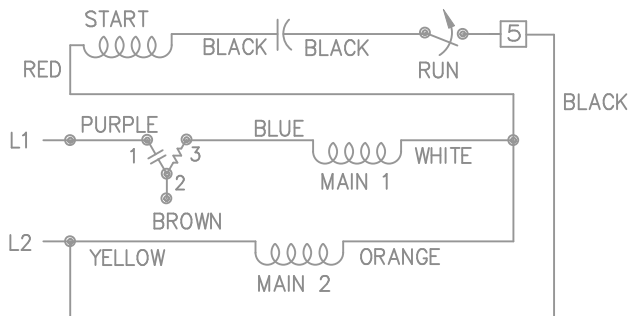


FOR CW ROT. EITHER
VOLTAGE INTERCHANGE
RED WITH BLACK LEAD.



START

HIGH VOLTAGE C.C.W.



- 1 WHEN USING THIS SWITCH FOR EXPLOSION-PROOF MOTORS THAT ARE NOT CAP START, THESE TERMINALS MAY NOT BE USED.
- 2 WHEN USING THIS SWITCH FOR EXPLOSION-PROOF MOTORS, THIS TERMINAL MUST USE AN INSULATED FLAG TERMINAL (B7 or G4).

				TOLERANCES UNLESS SPECIFIED			DRAWN MKLEIST 08-03-05			
				DEC.	INCHES		CHK			
				.X	±.1		APPD MS 08-03-05			
				.XX	±.02		SCALE			
				.XXX	±.005		REF			
				.XXXX	±.0005	FMF				
NO.	REVISION	BY & DATE	CHK	ANG	±7'30"	MAT'L.	PREV			
THIS DRAWING IN DESIGN AND DETAIL IS OUR PROPERTY AND MUST NOT BE USED EXCEPT IN CONNECTION WITH OUR WORK ALL RIGHTS OF DESIGN AND INVENTION ARE RESERVED THIS IS AN ELECTRONICALLY GENERATED DOCUMENT - DO NOT SCALE THIS PRINT				RFP	07-26-2006	CAD FILE ee9023ag	SIZE A	DRAWING NO. EE9023AG	PAGE 1 OF 1	REV.
				DIST	WP					