

PRODUCT INFORMATION PACKET

Model No: 5KC37FN71X
Catalog No: J1025
1/3,3450,DP,56C,1/60/115/230
Single Phase



Regal and Marathon are trademarks of Regal Beloit Corporation or one of its affiliated companies.
©2018 Regal Beloit Corporation, All Rights Reserved. MC017097E



Nameplate Specifications

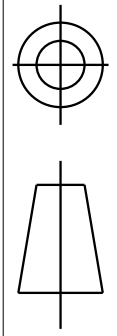
Output HP	1/3 Hp	Output KW	0.25 kW
Frequency	60 Hz	Voltage	115/230 V
Current	6.4,3.2 A	Speed	3450 rpm
Service Factor	1.75	Phase	1
Efficiency	56.6 %	Duty	Continuous
Insulation Class	B	KVA Code	L
Frame	56C	Enclosure	Drip Proof
Overload Protector	AUTO	Ambient Temperature	40 °C
Drive End Bearing Size	6203	Opp Drive End Bearing Size	6203
UL	Recognized	CSA	Yes
CE	N		

Technical Specifications

Electrical Type	Capacitor Start Induction Run	Starting Method	SM
Poles	2	Rotation	Clockwise/Counterclockwise
Mounting	Round	Motor Orientation	ANY
Drive End Bearing	LOCKED	Opp Drive End Bearing	BALL
Frame Material	Rolled Steel	Overall Length	10.71 in
Frame Length	6.62 in	Shaft Diameter	0.63 in
Shaft Extension	1.88 in	Thru-bolts Extension	0
Outline Drawing	52A102689P4	Connection Diagram	52A105383AA

This is an uncontrolled document once printed or downloaded and is subject to change without notice. Date Created: 10/08/2018

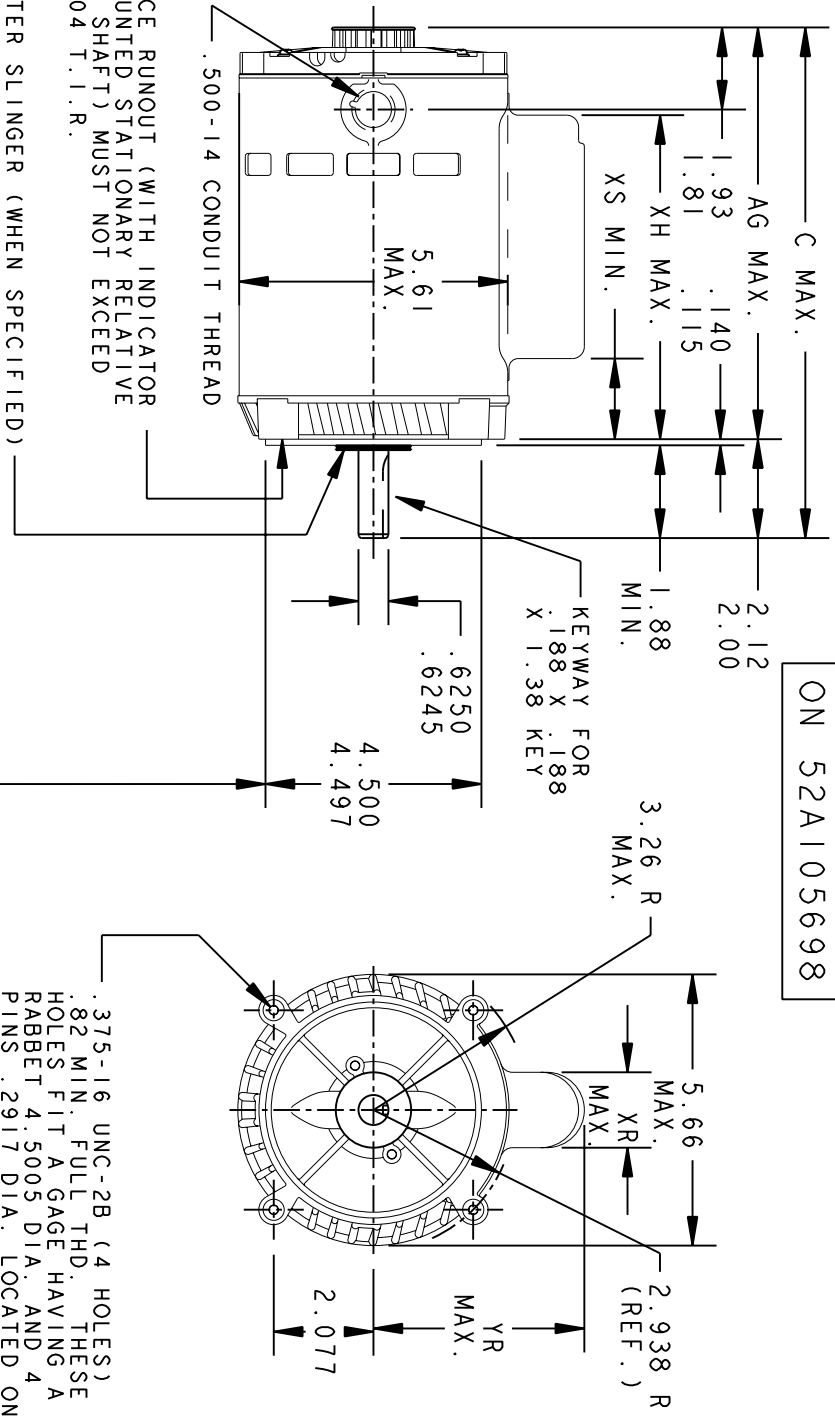
THIRD ANGLE PROJECTION



REVISIONS

REV.	DESCRIPTION	DATE	APPROVED
9	1.88 MIN. WAS 1.88 MAX	07/30/92	BLJ
10	FORMAT CHG PER ISAAC 05-1777	01/06/06	RAJKUMAR
11	UPDATED AS PER ISAAC 06-0816	04/06/06	ARCHANA

CONTINUED
ON 52A105698



8	KC	39	56C	12.59	10.49	2.66	8.32	1.60	4.34	8.50
7	KC	39	56C	12.59	10.49	3.27	8.91	1.60	4.34	8.50
6	KC	39	56C	11.84	9.74	2.52	8.16	1.60	4.34	7.75
5	KC	38	56C	11.31	9.21	1.99	7.63	1.60	4.34	
4	KC	37	56C	10.71	8.61	1.39	7.03	1.60	4.34	
3	KC	36	56C	10.31	8.21	1.39	6.63	1.60	4.34	
2	KC	37	56C	10.71	8.61	1.39	7.03	2.22	4.96	
1	KC	39	56C	12.59	10.49	3.02	8.66	1.60	4.34	8.50
P	TYPE	GE SIZE	NEMA FR	C	AG	XS	XH	XR	YR	SHELL REF.



REGAL-BELOIT CORPORATION

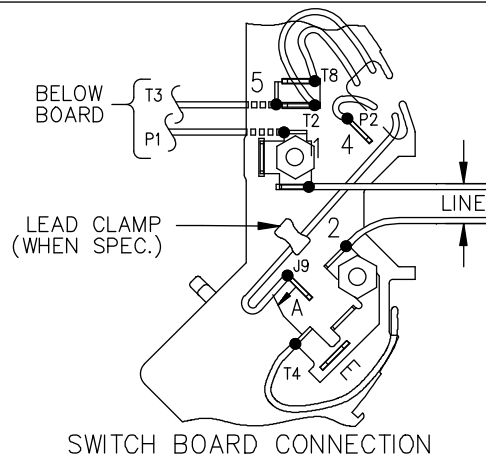
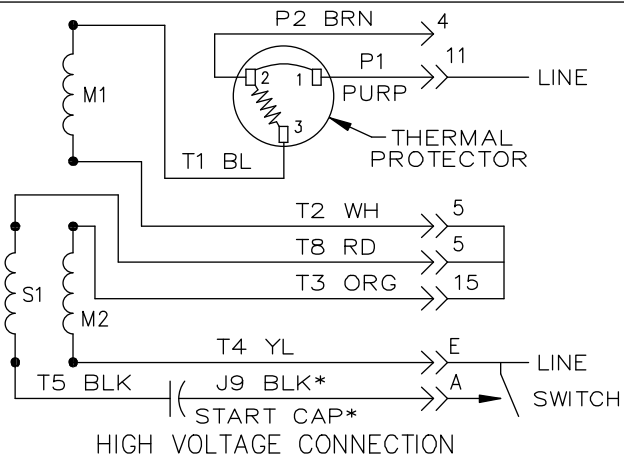
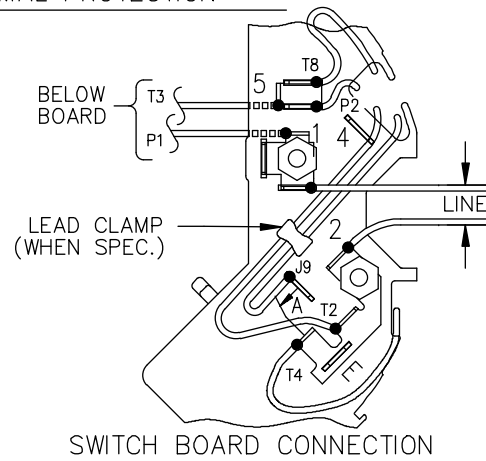
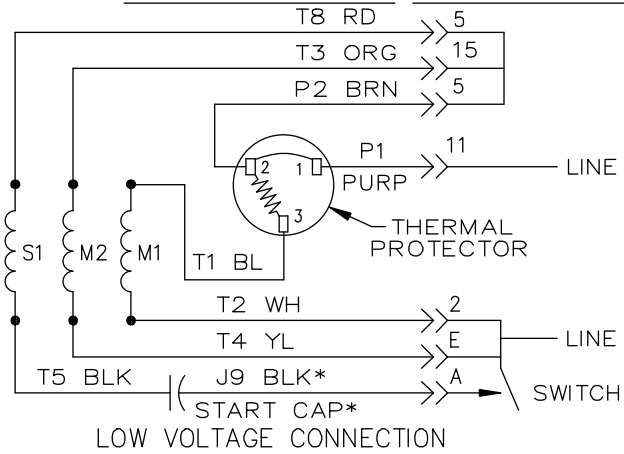
OUTLINE

FORM N - PUMP MOTOR - DRIP PROOF - R2 END MOUNTED
SLEEVE & BALL BEARING - FMF:5KC37MM134T

SIGNATURES		DATE
MODEL	B.A.C	04/24/78
DETAIL		
CHECKED		
ENGRG		
MFG		
QUALITY		
ISSUED	B.L.J	03/23/92
SOLID MODEL:	52A102689	

SIZE	DRAWING	SCALE	REF. No.	SHEET	REV
A		0.250		1 of 1	11


EITHER ROTATION, DUAL VOLTAGE, TYPE KC OR KH, WITH THERMAL PROTECTION



NOTE #1 - START CAP & J9 WHEN SPECIFIED (*). IF NO CAPACITOR (KH), CONNECT T5 DIRECTLY TO SWITCH (A). WHEN MORE THAN ONE CAPACITOR IS USED, CONNECT IN PARALLEL.

NOTE #2 - TO REVERSE ROTATION, INTER CHANGE RD(T8) AND BLK(J9-KC OR T5-KH) LEADS.

SWITCH REF. - 115D958AB	CONNECTION LABEL	CCW ROTATION: NP52X332051AA
		CW ROTATION: NP52X332051AC

NO.	REVISION	BY & DATE	CHK	ANG	TOLERANCES UNLESS SPECIFIED		FINISH	DRAWN M.D.P 06/29/87	
					DEC.	INCHES			
					.X	±0.1	 REGAL-BELOIT CORPORATION	CHK	
					.XX	±0.02		TITLE	APPD M.D.P 03/26/96
5	ADDED CONNECTION LABEL PER ECO-0030779	UD 02/06/13	PKG	.XXX	±0.005		CONNECTION DIAGRAM 30 FRAME SWITCH REDESIGN	SCALE 1=1	
4	UPDATED PER ISO7-0150	MD 01/23/07		.XXXX	±0.0005	MAT'L.		REF	
					±1.0			FMF	
								PREV	
THIS DRAWING IN DESIGN AND DETAIL IS OUR PROPERTY AND MUST NOT BE USED EXCEPT IN CONNECTION WITH OUR WORK. ALL RIGHTS OF DESIGN AND INVENTION ARE RESERVED. THIS IS AN ELECTRONICALLY GENERATED DOCUMENT - DO NOT SCALE THIS PRINT				RFP	CAD FILE	52A105383AA	SIZE	DRAWING NO.	REV.
				DIST			A	52A105383AA	5