

PRODUCT INFORMATION PACKET

marathon[®]
Motors

Model No: 5KC38NN410X
Catalog No: C1155
3/4,3450,DP,56,1/60/115/208-230
Open Drip Proof (ODP)



Regal and Marathon are trademarks of Regal Beloit Corporation or one of its affiliated companies.
©2018 Regal Beloit Corporation, All Rights Reserved. MC017097E

REGAL[®]

Nameplate Specifications

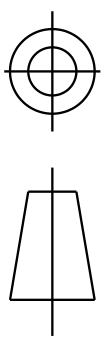
| | | | |
|----------------------------|-----------------------|------------------------|----------------------|
| Output HP | 3/4 Hp | Output KW | 0.56 kW |
| Frequency | 60 Hz | Voltage | 115/208-230 V |
| Current | 10.0,4.9-5.0 A | Speed | 3450 rpm |
| Service Factor | 1.25 | Phase | 1 |
| Efficiency | 68 % | Duty | Continuous |
| Insulation Class | B | Design Code | - |
| KVA Code | K | Frame | 56 |
| Enclosure | Drip Proof | Overload Protector | AUTO |
| Ambient Temperature | 40 °C | Drive End Bearing Size | 6203 |
| Opp Drive End Bearing Size | 6203 | UL | Recognized |
| CSA | Yes | CE | N |

Technical Specifications

| | | | |
|-------------------|--------------------------------------|-----------------------|-----------------------------------|
| Electrical Type | Capacitor Start Induction Run | Starting Method | SM |
| Poles | 2 | Rotation | Counterclockwise/Clockwise |
| Mounting | Resilient Base | Motor Orientation | ANY |
| Drive End Bearing | BALL | Opp Drive End Bearing | BALL |
| Frame Material | Rolled Steel | Overall Length | 11.32 in |
| Frame Length | 7.22 in | Shaft Diameter | 0.63 in |
| Shaft Extension | 1.88 in | | |
| Outline Drawing | 52A101468P4 | Connection Diagram | 52A105383AA |

This is an uncontrolled document once printed or downloaded and is subject to change without notice. Date Created: 10/08/2018

THIRD ANGLE PROJECTION

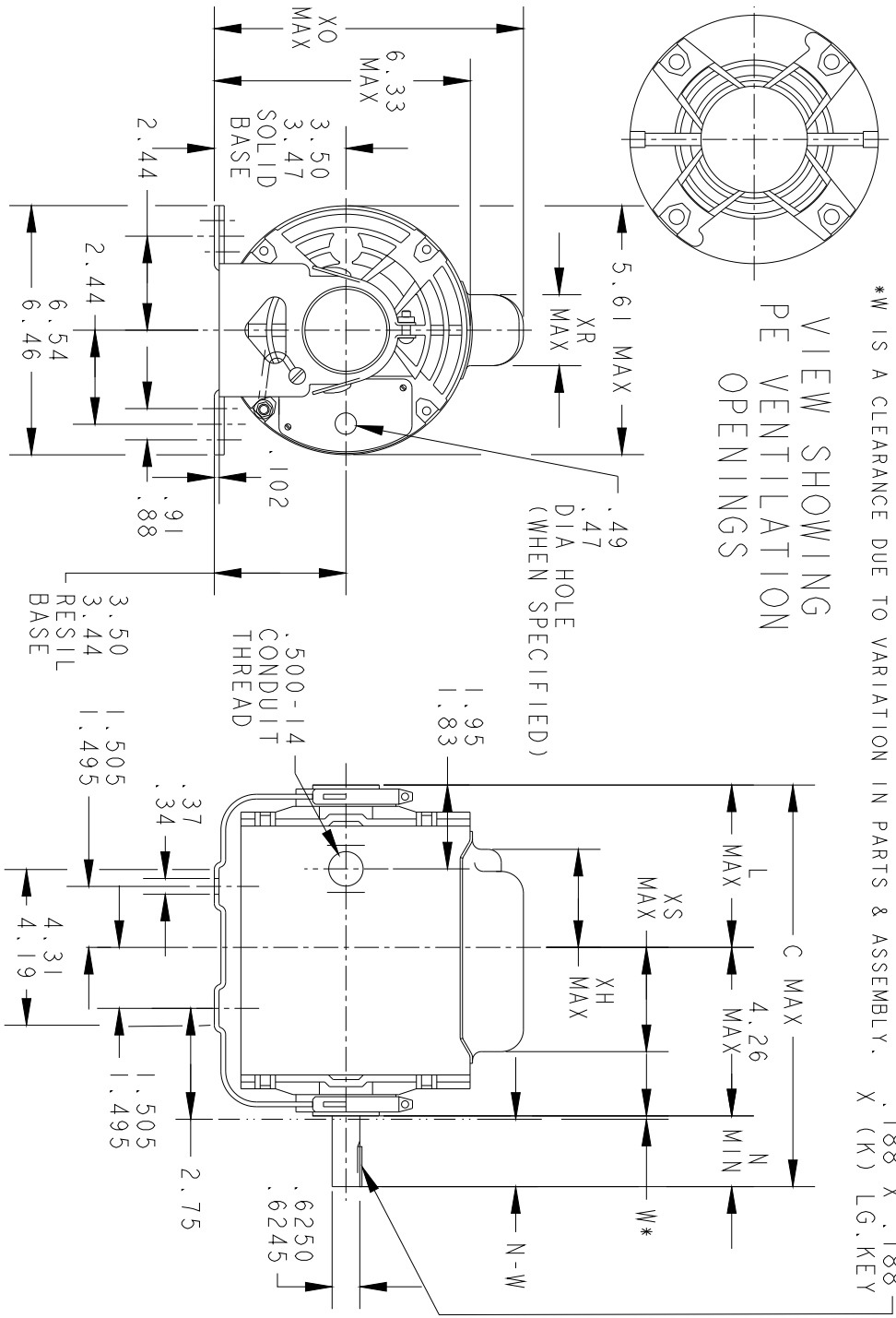


REVISIONS

| REV. | DESCRIPTION | DATE | APPROVED |
|------|----------------------------------|----------|------------|
| 11 | REDRAWN NO CHNAGE T196-22390 | 07/10/96 | MDP |
| 12 | ADDED PART 8 PER IS05-1139 | 05/12/05 | RAJKUMAR.R |
| 13 | CHG TO RBC FORMAT PER IS 05-1777 | 12/15/05 | GOVARDAN |
| 14 | ADDED GND.LD PER IS12-0707 | 02/24/12 | KARTHIK |

*W IS A CLEARANCE DUE TO VARIATION IN PARTS & ASSEMBLY. X (K) LG. KEY

VIEW SHOWING
PE VENTILATION
OPENINGS



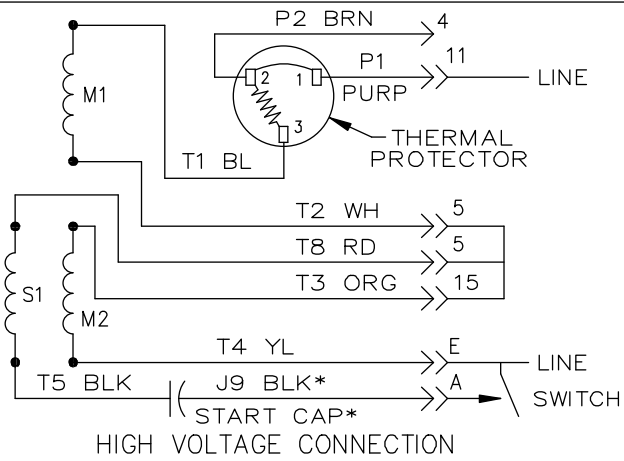
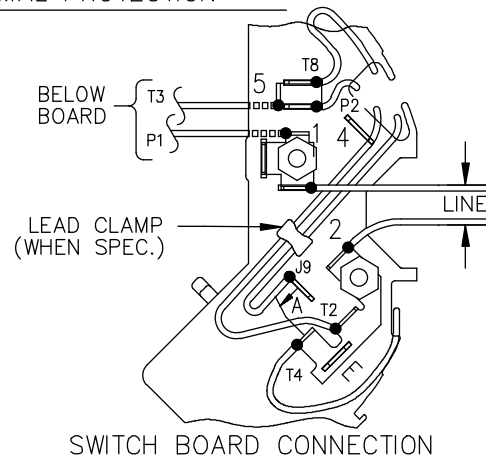
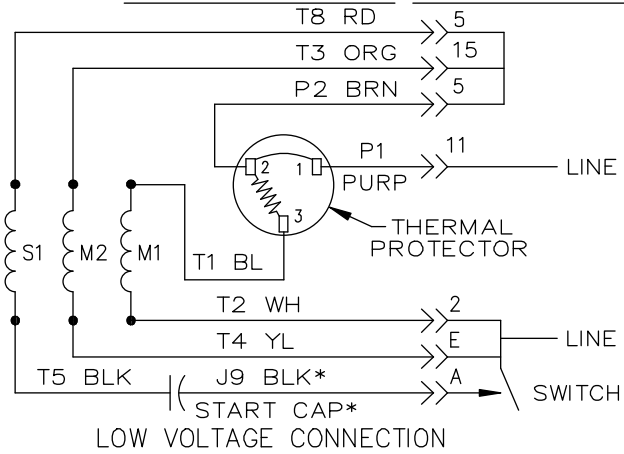
| PT | TYPE | GE SIZE | NEMA FR | C | L | XH | XO | XR | XS | N | N-W | K | SHELL LGTH. |
|----|------|---------|---------|-------|------|------|------|------|------|------|-----------|------|-------------|
| 8 | KC | 38 | 56 | 11.32 | 5.23 | 2.90 | 8.43 | 2.22 | 2.87 | 1.88 | 2.01/1.79 | 1.38 | |
| 7 | KC | 38 | 56 | 11.32 | 5.23 | 3.65 | 8.43 | 2.22 | 2.12 | 1.88 | 2.01/1.79 | 1.38 | |
| 6 | KC | 39 | 56 | 11.85 | 5.76 | 3.45 | 8.43 | 2.22 | 2.32 | 1.88 | 2.01/1.79 | 1.38 | 7.75 |
| 5 | KC | 37 | 56 | 10.72 | 4.63 | 3.05 | 7.81 | 1.60 | 2.72 | 1.88 | 2.01/1.79 | 1.38 | |
| 4 | KC | 38 | 56 | 11.32 | 5.23 | 3.65 | 7.81 | 1.60 | 2.12 | 1.88 | 2.01/1.79 | 1.38 | |
| 3 | KC | 37 | 56 | 10.72 | 4.63 | 3.05 | 8.43 | 2.22 | 2.72 | 1.88 | 2.01/1.79 | 1.38 | |
| 2 | KC | 36 | 56 | 10.32 | 4.23 | 2.65 | 7.81 | 1.60 | 2.72 | 1.88 | 2.01/1.79 | 1.38 | |
| 1 | KC | 35 | 56 | 9.89 | 3.80 | 2.22 | 7.81 | 1.60 | 2.34 | 1.88 | 2.01/1.79 | 1.38 | |

| SIGNATURES | | DATE |
|------------|-----|----------|
| MODEL | GLB | 01/30/75 |
| DETAIL | | |
| CHECKED | | |
| ENGRG | | |
| MFG | | |
| QUALITY | | |
| ISSUED | MDP | 07/10/96 |

| FOR ADDITIONAL INFO REFER TO: | |
|-------------------------------|------------------------|
| PRACTICES | ISSUED |
| DIMENSIONS ARE IN INCHES | MDP |
| MATERIAL | SOLID MODEL: 52A101468 |

| REGAL-BELOTT CORPORATION | |
|--|----------------|
| TITLE | OUTLINE |
| FORM N - GENERAL PURPOSE MOTOR - DRIP PROOF - SOLID OR RESIL BASE - BALL OR SLEEVE BEARING | |
| SIZE | DRAWING |
| A | |
| SCALE: | 0.003 REF. No: |
| 52A101468 | |
| REV | 14 |
| SHEET | 1 of 1 |

EITHER ROTATION, DUAL VOLTAGE, TYPE KC OR KH, WITH THERMAL PROTECTION



NOTE #1 - START CAP & J9 WHEN SPECIFIED (*). IF NO CAPACITOR (KH), CONNECT T5 DIRECTLY TO SWITCH (A). WHEN MORE THAN ONE CAPACITOR IS USED, CONNECT IN PARALLEL.

NOTE #2 - TO REVERSE ROTATION, INTER CHANGE RD(T8) AND BLK(J9-KC OR T5-KH) LEADS.

| | | |
|-------------------------|------------------|-----------------------------|
| SWITCH REF. - 115D958AB | CONNECTION LABEL | CCW ROTATION: NP52X332051AA |
| | | CW ROTATION: NP52X332051AC |

| NO. | REVISION | BY & DATE | CHK | TOLERANCES UNLESS SPECIFIED | | FINISH | DRAWN | | |
|--|--|-------------|-----|-----------------------------|----------|---|---------------------|-------------|------|
| | | | | DEC. | INCHES | | | | |
| | | | | .X | ±0.1 | REGAL-BELOIT CORPORATION TITLE CONNECTION DIAGRAM 30 FRAME SWITCH REDESIGN | M.D.P 06/29/87 | | |
| | | | | .XX | ±0.02 | | CHK | | |
| 5 | ADDED CONNECTION LABEL PER ECO-0030779 | UD 02/06/13 | PKG | .XXX | ±0.005 | MAT'L. | APPD M.D.P 03/26/96 | | |
| 4 | UPDATED PER ISO7-0150 | MD 01/23/07 | | .XXXX | ±0.0005 | | SCALE 1=1 | | |
| | | | | ANG | ±1.0 | PREV | | | |
| THIS DRAWING IN DESIGN AND DETAIL IS OUR PROPERTY AND MUST NOT BE USED EXCEPT IN CONNECTION WITH OUR WORK. ALL RIGHTS OF DESIGN AND INVENTION ARE RESERVED. THIS IS AN ELECTRONICALLY GENERATED DOCUMENT - DO NOT SCALE THIS PRINT | | | | RFP | CAD FILE | 52A105383AA | SIZE | DRAWING NO. | REV. |
| | | | | DIST | | | A | 52A105383AA | 5 |