

# PRODUCT INFORMATION PACKET

**marathon**<sup>®</sup>  
Motors

Model No: 5KC39QN3219X  
Catalog No: C333  
3/4 Hp ,1 Ph , 115/230 V ,3450 RPM , AC Motor  
Single Phase



Regal and Marathon are trademarks of Regal Beloit Corporation or one of its affiliated companies.  
©2018 Regal Beloit Corporation, All Rights Reserved. MC017097E

**REGAL**<sup>®</sup>

**Product Information Packet: Model No: 5KC39QN3219X, Catalog No:C333 3/4 Hp ,1 Ph , 115/230 V ,3450 RPM ,  
AC Motor**

**Nameplate Specifications**

Output HP	<b>3/4 Hp</b>	Output KW	<b>0.56 kW</b>
Frequency	<b>60 Hz</b>	Voltage	<b>115/208-230 V</b>
Current	<b>11.2,5.3-5.6 A</b>	Speed	<b>3450 rpm</b>
Service Factor	<b>1.5</b>	Phase	<b>1</b>
Efficiency	<b>65.6 %</b>	Duty	<b>Continuous</b>
Insulation Class	<b>B</b>	KVA Code	<b>M</b>
Frame	<b>56J</b>	Enclosure	<b>Drip Proof</b>
Overload Protector	<b>AUTO</b>	Ambient Temperature	<b>40 °C</b>
Drive End Bearing Size	<b>6203</b>	Opp Drive End Bearing Size	<b>6203</b>
UL	<b>Recognized</b>	CSA	<b>Yes</b>
CE	<b>N</b>		

**Technical Specifications**

Electrical Type	<b>Capacitor Start Induction Run</b>	Starting Method	<b>SM</b>
Poles	<b>2</b>	Rotation	<b>Clockwise</b>
Mounting	<b>Round</b>	Motor Orientation	<b>ANY</b>
Drive End Bearing	<b>LOCKED</b>	Opp Drive End Bearing	<b>BALL</b>
Frame Material	<b>Rolled Steel</b>	Overall Length	<b>12.4 in</b>
Frame Length	<b>7.75 in</b>	Shaft Diameter	<b>0.63 in</b>
Shaft Extension	<b>2.39 in</b>		
Outline Drawing	<b>52A102690P6</b>	Connection Diagram	<b>52A105384AA</b>

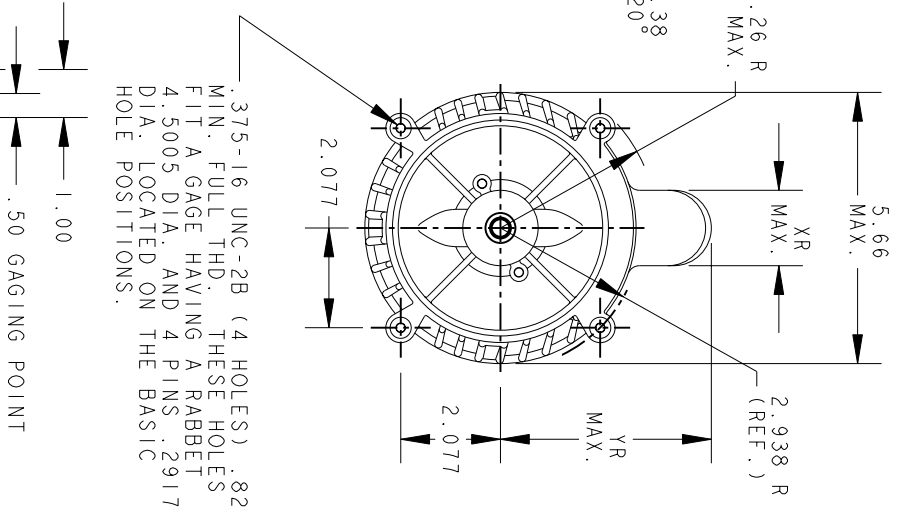
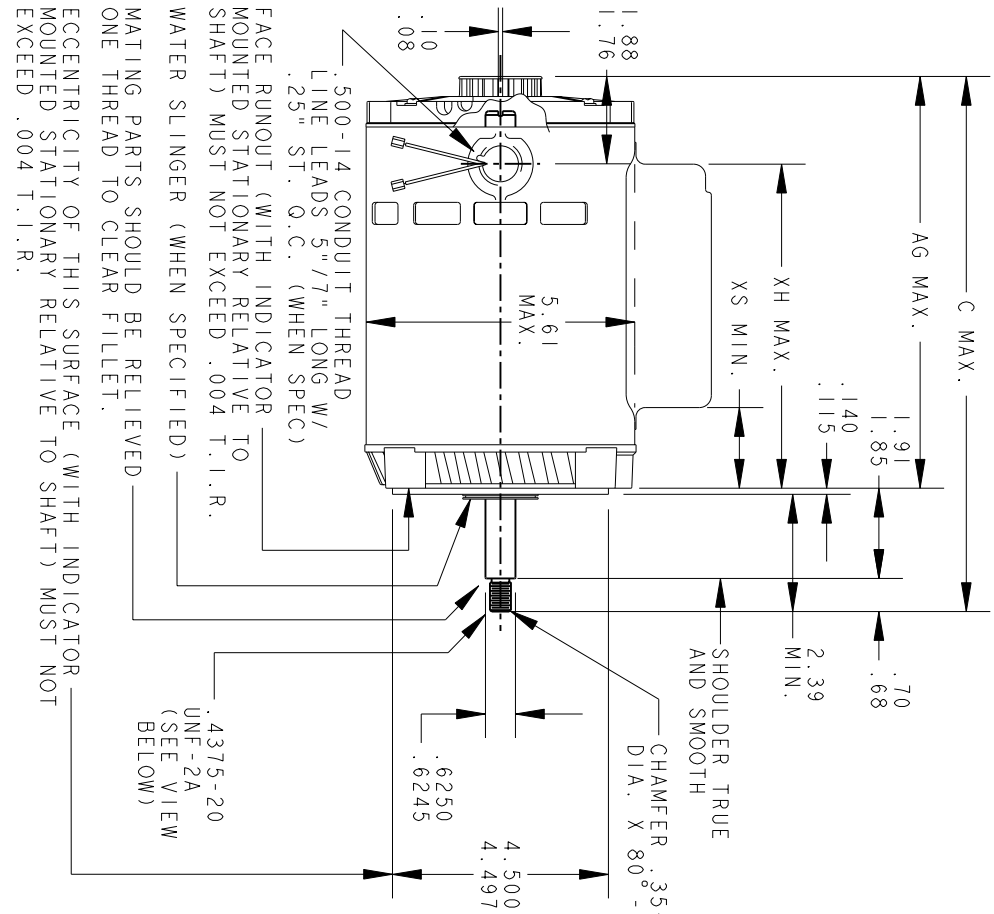
**This is an uncontrolled document once printed or downloaded and is subject to change without notice. Date Created: 10/08/2018**

THIRD ANGLE PROJECTION



REVISIONS

REV.	DESCRIPTION	DATE	APPROVED
9	REDRAWN BY 2M SOFTWARE CO	02/05/95	CCP
10	FORMAT CHG PER ISAAC 05-1777	01/06/06	RAJKUMAR



8	7	6	5	4	3	2	1	P
KC	KC	KC	KC	KC	KC	KC	KC	P
37	39	39	38	37	36	38	39	TYPE
56J	56J	56J	56J	56J	56J	56J	56J	GE
11.35	13.10	12.35	11.82	11.22	10.82	11.82	12.35	SIZE
8.76	10.49	9.74	9.21	8.61	8.21	9.21	9.74	NEMA
1.39	3.27	2.52	1.99	1.39	1.39	1.99	2.19	FR
7.03	8.91	8.16	7.63	7.03	6.63	7.63	7.83	C
2.72	1.60	1.60	1.60	1.60	1.60	2.22	2.22	AG
5.44	4.34	4.34	4.34	4.34	4.34	4.96	4.96	XS
8.50	7.75	7.75	7.75	7.75	7.75	7.75	7.75	XH
								XR
								YR
								SHELL REF.

ECCENTRICITY OF THIS SURFACE (WITH INDICATOR MOUNTED STATIONARY RELATIVE TO SHAFT) MUST NOT EXCEED .004 T.I.R.

MATING PARTS SHOULD BE RELIEVED ONE THREAD TO CLEAR FILET.

FACE RUNOUT (WITH INDICATOR MOUNTED STATIONARY RELATIVE TO SHAFT) MUST NOT EXCEED .004 T.I.R.

WATER SLINGER (WHEN SPECIFIED)

CHAMFER .35-.38 DIA. X 80-120

SHOULDER TRUE AND SMOOTH

MIN.

2.39

.70

.68

1.91

1.85

.140

.115

5.61 MAX.

1.88

1.76

.10

.08

500-14 CONDUIT THREAD LINE LEADS 5" / 7" LONG W/ .25" ST. O.C. (WHEN SPEC)

4.375-20 UNF-2A (SEE VIEW BELOW)

.6250

.6245

4.500

4.497

3.26 R MAX.

2.938 R (REF.)

2.077

2.077

2.077

2.077

.375-16 UNC-2B (4 HOLES) .82 MIN. FULL THD. THESE HOLES FIT A GAGE HAVING A RABBIT 4.5005 DIA. AND 4 PINS .2917 DIA. LOCATED ON THE BASIC HOLE POSITIONS.

1.00

.50 GAGING POINT

2.00

ECCENTRICITY OF THREADED PORTION OF SHAFT IS HELD WITHIN .004 GAGE READING WITH THE INDICATOR ON O.D. OF GROUND RING GAGE AS SHOWN, THE GAGE BEING STATIONARY WITH RESPECT TO THE ROTOR.

SIGNATURES		DATE
MODEL	B.A.C	04/24/78
DETAIL		
CHECKED		
ENGRG		
MFG		
QUALITY		
ISSUED	C.C.P	02/05/95
SOLID MODEL: 52A102690		

**REGAL-BELOTT CORPORATION**

**OUTLINE**

**FORM N - PUMP MOTOR - DRIP PROOF - R2 END MOUNTED SLEEVE & BALL BEARING - FME5KC37MN135T**

SCALE: 0.250 REF. No: .

SIZE DRAWING A

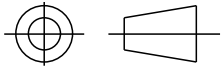
52A102690

REV 10

SHEET 1 of 1

SHEET 5  
REV 5  
SIZE DRAWING NO. 52A105384AA

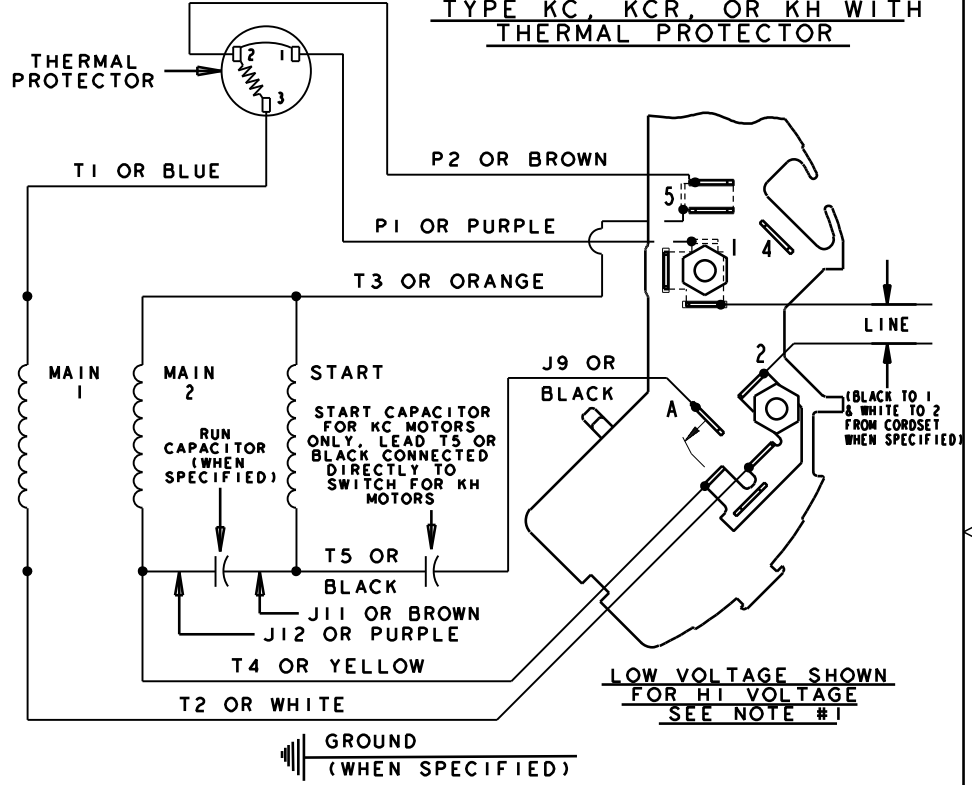
THIRD ANGLE PROJECTION



REVISIONS

REV.	DESCRIPTION	DATE	APPROVED
5	ADDED GND. LEADPER DS 12-2770	07/03/12	KARTHIK

**SET ROTATION - DUAL VOLTAGE  
TYPE KC, KCR, OR KH WITH  
THERMAL PROTECTOR**



**NOTE #1** - FOR HI VOLTAGE REMOVE BROWN (P2) FROM TERMINAL #5 AND PLACE ON TERMINAL #4, REMOVE WHITE (T2) FROM TERMINAL #2 AND PLACE ON TERMINAL #5.  
**NOTE #2** - WHEN MORE THAN ONE CAPACITOR IS USED CONNECT IN PARALLEL.

REF. DIAG. - 121A857		SWITCH (C) - 115D958AB	
CONNECTION LABEL - 52X333080		REGAL-BELOIT CORPORATION	
SIGNATURES		DATE	
MODEL	M. D. P.	06/29/87	
DETAIL	-	-	
CHECKED	-	-	
ENGRG	-	-	
MFG	-	-	
QUALITY	-	-	
ISSUED	M. D. P.	06/29/87	
SOLID MODEL: 52A105384AA		SCALE: 1.000 REF. No. .	
FOR ADDITIONAL INFO REFER TO:		SHEET 1 of 1	
APPLIED PRACTICES	-	-	
DIMENSIONS ARE IN INCHES	✓	-	

**REGAL-BELOIT CORPORATION**  
**REGAL-BELOIT**  
 TITLE: **CONNECTION DIAGRAM**  
 F.M.F.: **30 FRAME SWITCH REDESIGN**  
 SIZE: **A** DRAWING: **52A105384AA** REV **5**  
 SCALE: 1.000 REF. No. .