

PRODUCT INFORMATION PACKET

Model No: 5KC39RN383X
Catalog No: C1157
1,3450,DP,56,1/60/115/208-230
Open Drip Proof (ODP)



Regal and Marathon are trademarks of Regal Beloit Corporation or one of its affiliated companies.
©2018 Regal Beloit Corporation, All Rights Reserved. MC017097E



Nameplate Specifications

Output HP	1 Hp	Output KW	0.75 kW
Frequency	60 Hz	Voltage	115/208-230 V
Current	13.4,6.7-6.6 A	Speed	3450 rpm
Service Factor	1.25	Phase	1
Efficiency	70 %	Duty	Continuous
Insulation Class	B	KVA Code	M
Frame	56	Enclosure	Drip Proof
Overload Protector	AUTO	Ambient Temperature	40 °C
Drive End Bearing Size	6203	Opp Drive End Bearing Size	6203
UL	Recognized	CSA	Yes
CE	N		

Technical Specifications

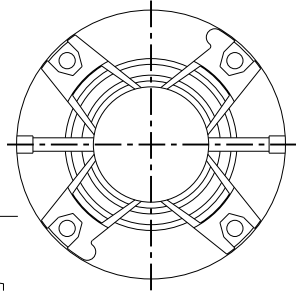
Electrical Type	Capacitor Start Induction Run	Starting Method	SM
Poles	2	Rotation	Counterclockwise/Clockwise
Mounting	Resilient Base	Motor Orientation	ANY
Drive End Bearing	BALL	Opp Drive End Bearing	BALL
Frame Material	Rolled Steel	Overall Length	11.85 in
Frame Length	7.75 in	Shaft Diameter	0.63 in
Shaft Extension	1.88 in		
Outline Drawing	52A101941P4	Connection Diagram	52A105383AA

This is an uncontrolled document once printed or downloaded and is subject to change without notice. Date Created: 10/08/2018

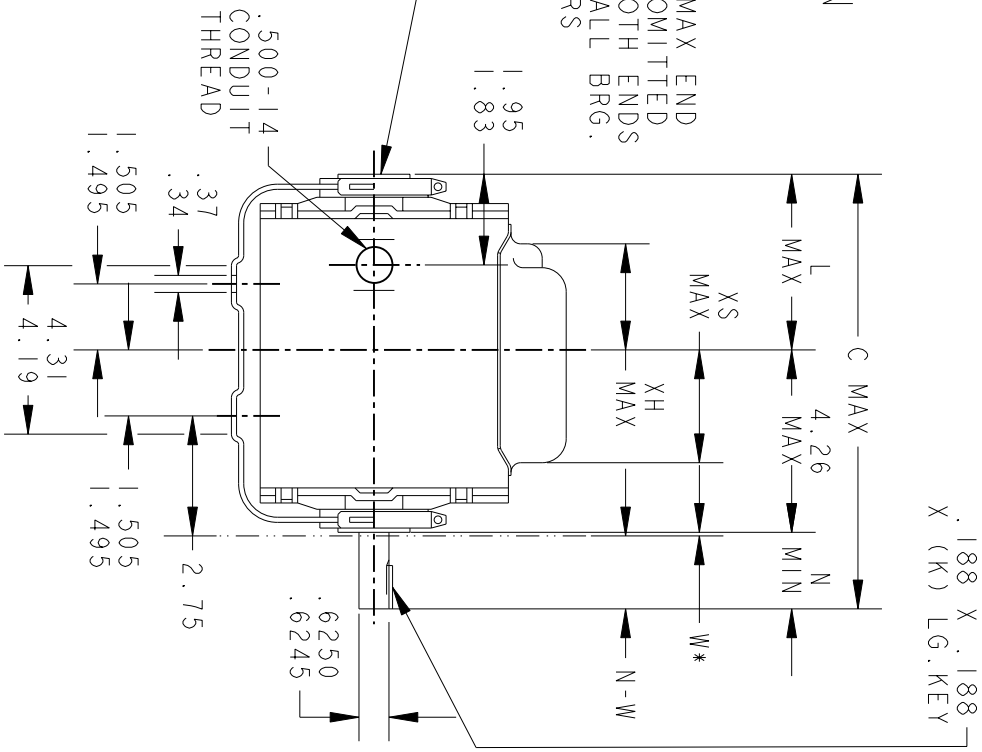
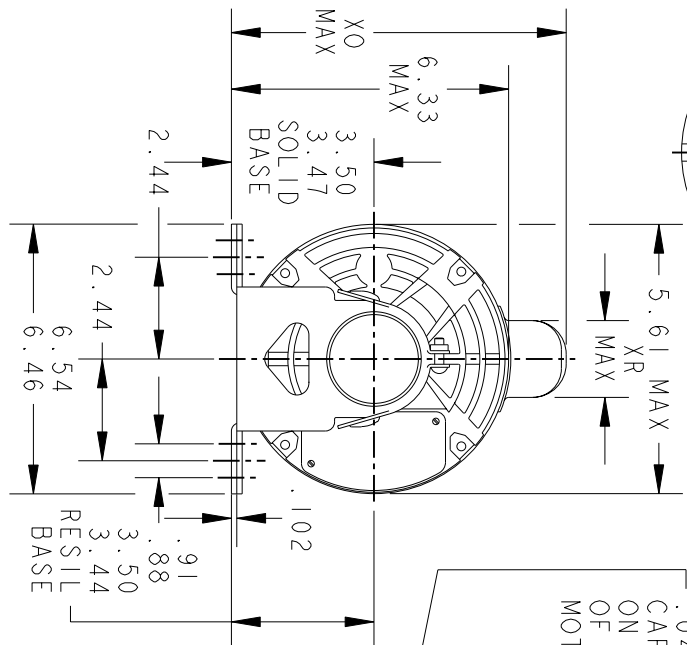
THIRD ANGLE PROJECTION



REVISIONS		DESCRIPTION	DATE	APPROVED
7		REDRAWN NO CHANGE TI96-22390	07/10/96	MDP
8		CHG TO RBC FORMAT PER IS05-1777	12/21/2005	DURGA



VIEW SHOWING PE VENTILATION OPENINGS



* W IS A CLEARANCE DUE TO VARIATION IN PARTS & ASSEMBLY.

PT	TYPE	GE SIZE	NEMA FR	C	K	L	N	N-W	XH	XO	XR	XS	MIN. SHELL
6	KC	37	56	10.72	1.38	4.63	1.88	2.01/1.79	3.07	8.93	2.72	2.70	
5	KC	38	56	11.69	1.38	5.23	2.25	2.38/2.16	3.65	7.81	1.60	2.12	
4	KC	39	56	11.85	1.38	5.76	1.88	2.01/1.79	4.18	7.81	1.60	1.59	7.75
3	KC	39	56	11.85	1.38	5.76	1.88	2.01/1.79	4.03	8.43	2.22	1.34	7.75
2	KC	39	56	11.85	1.38	5.76	1.88	2.01/1.79	4.03	8.93	2.72	1.34	7.75
1	KC	36	56	10.32	1.38	4.23	1.88	2.01/1.79	2.50	8.43	2.22	2.87	

SIGNATURES		DATE
MODEL		
DETAIL	JPK	03/31/76
CHECKED		
ENGRG		
MFG		
QUALITY		
ISSUED	MDP	07/10/96
MATERIAL	SOLID MODEL: 52A101941	



REGAL-BELOIT CORPORATION

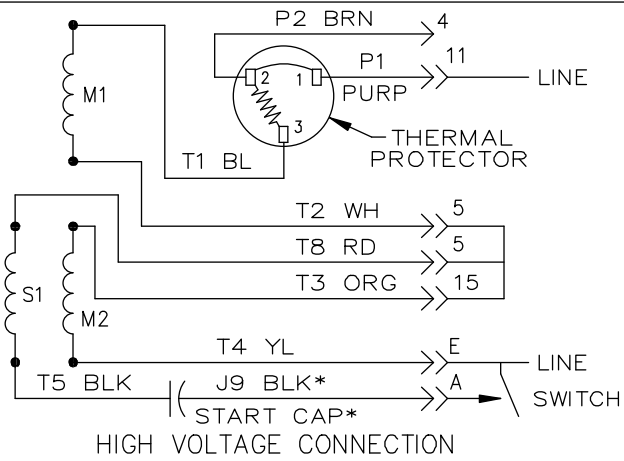
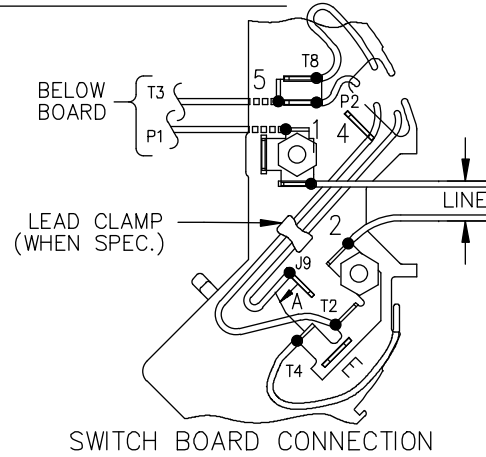
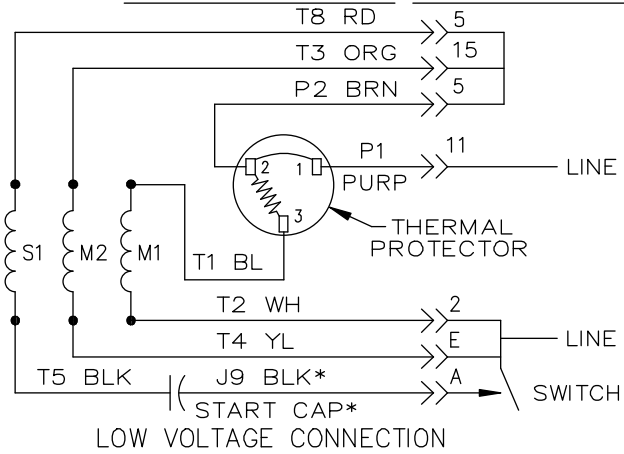
TITLE OUTLINE

FORM N-GENERAL PURPOSE MOTOR-DRIP PROOF-SOLID OR RESIL BASE-BALL OR SLEEVE BEARING

SIZE A DRAWING 52A101941 REV 8

SCALE: 1.000 REF. No.: SHEET 1 of 1

EITHER ROTATION, DUAL VOLTAGE, TYPE KC OR KH, WITH THERMAL PROTECTION



NOTE #1 - START CAP & J9 WHEN SPECIFIED (*). IF NO CAPACITOR (KH), CONNECT T5 DIRECTLY TO SWITCH (A). WHEN MORE THAN ONE CAPACITOR IS USED, CONNECT IN PARALLEL.

NOTE #2 - TO REVERSE ROTATION, INTER CHANGE RD(T8) AND BLK(J9-KC OR T5-KH) LEADS.

SWITCH REF. - 115D958AB	CONNECTION LABEL	CCW ROTATION: NP52X332051AA
		CW ROTATION: NP52X332051AC

NO.	REVISION	BY & DATE	CHK	ANG	TOLERANCES UNLESS SPECIFIED		FINISH	DRAWN M.D.P 06/29/87	
					DEC.	INCHES			
					.X	±0.1	REGAL-BELOIT CORPORATION	CHK	
					.XX	±0.02		TITLE	APPD M.D.P 03/26/96
5	ADDED CONNECTION LABEL PER ECO-0030779	UD 02/06/13	PKG	.XXX	±0.005		CONNECTION DIAGRAM 30 FRAME SWITCH REDESIGN	SCALE 1=1	
4	UPDATED PER ISO7-0150	MD 01/23/07		.XXXX	±0.0005	MAT'L.		REF	
					±1.0			FMF	
								PREV	
THIS DRAWING IN DESIGN AND DETAIL IS OUR PROPERTY AND MUST NOT BE USED EXCEPT IN CONNECTION WITH OUR WORK. ALL RIGHTS OF DESIGN AND INVENTION ARE RESERVED. THIS IS AN ELECTRONICALLY GENERATED DOCUMENT - DO NOT SCALE THIS PRINT				RFP	CAD FILE	52A105383AA	SIZE	DRAWING NO.	REV.
				DIST			A	52A105383AA	5