

PRODUCT INFORMATION PACKET

Model No: 5KC39RN45X
Catalog No: C335
1,3450,DP,56J,1/60/115/230
Single Phase



Regal and Marathon are trademarks of Regal Beloit Corporation or one of its affiliated companies.
©2018 Regal Beloit Corporation, All Rights Reserved. MC017097E



Nameplate Specifications

Output HP	1 Hp	Output KW	0.75 kW
Frequency	60 Hz	Voltage	115/208-230 V
Current	13.2,6.5-6.6 A	Speed	3450 rpm
Service Factor	1.4	Phase	1
Efficiency	68.1 %	Duty	Continuous
Insulation Class	B	KVA Code	J
Frame	56J	Enclosure	Drip Proof
Overload Protector	AUTO	Ambient Temperature	40 °C
Drive End Bearing Size	6203	Opp Drive End Bearing Size	6203
UL	Recognized	CSA	Yes
CE	N		

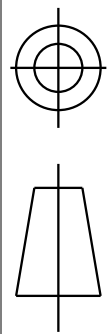
Technical Specifications

Electrical Type	Capacitor Start Induction Run	Starting Method	SM
Poles	2	Rotation	Clockwise
Mounting	Round	Motor Orientation	ANY
Drive End Bearing	LOCKED	Opp Drive End Bearing	BALL
Frame Material	Rolled Steel	Overall Length	13.14 in
Frame Length	8.5 in	Shaft Diameter	0.63 in
Shaft Extension	2.39 in		
Outline Drawing	52A107128P1	Connection Diagram	52A105384AA

This is an uncontrolled document once printed or downloaded and is subject to change without notice. Date Created: 10/08/2018

REVISIONS

REV.	DESCRIPTION	DATE	APPROVED
1	REDRAWN BY 2M SOFTWARE CO.	03/01/95	CCP
2	UPDATED AS PER ISO5-2192	09/15/05	PRAVEEN.K



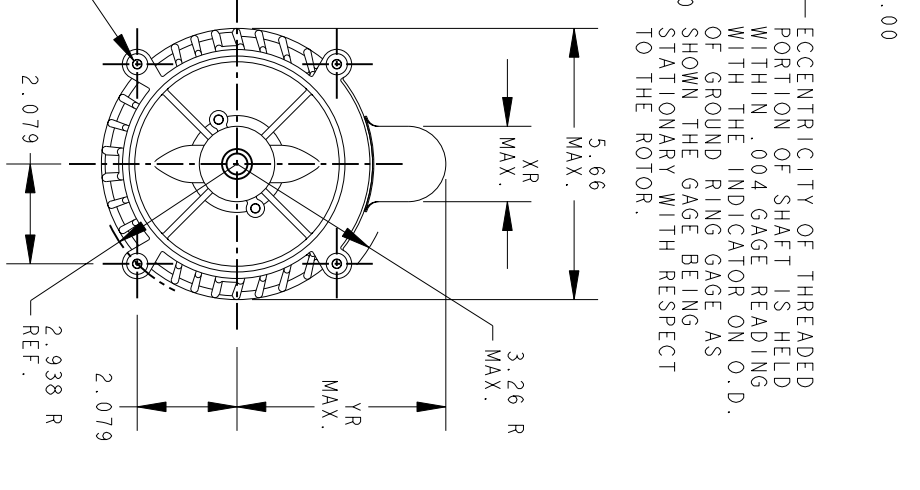
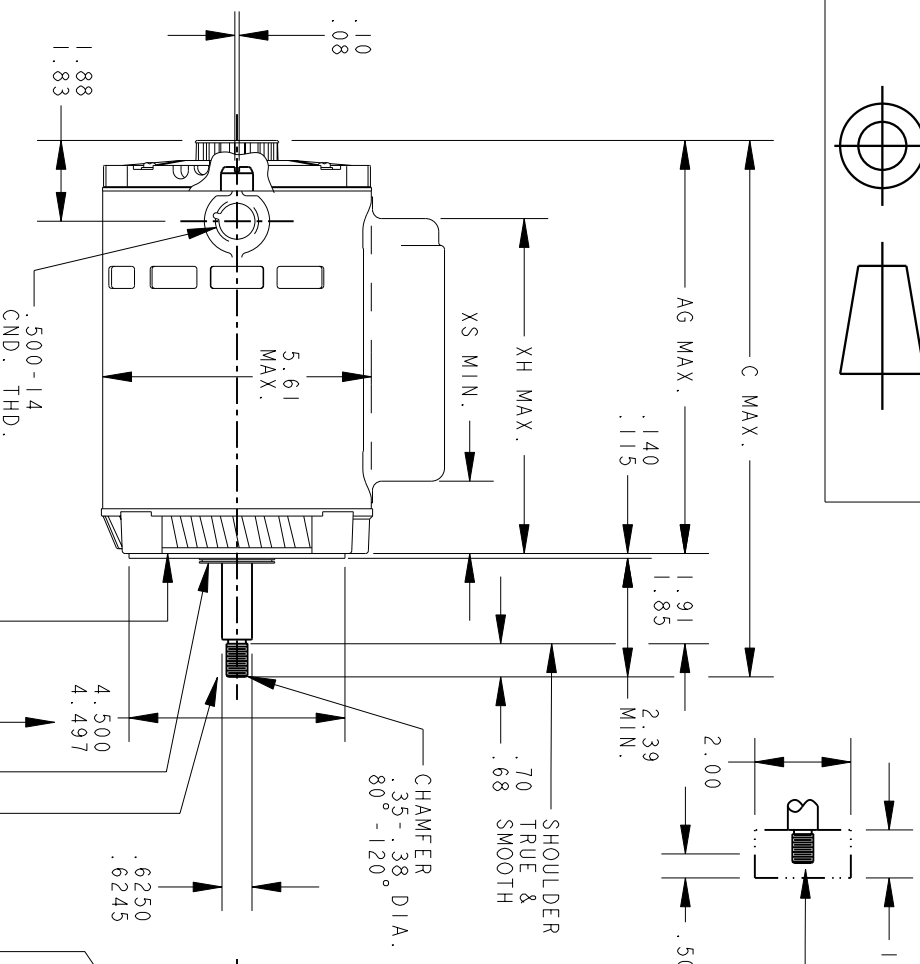
This document is the property of REGAL-BELOIT CORPORATION ("REGAL") including its subsidiaries and divisions and contains proprietary information of REGAL. This document is loaned on the express condition that neither the recipient nor any other person shall disclose or disseminate the information contained herein without the express written consent of REGAL. REGAL hereby grants to the recipient only an approved license to use this document solely for the purposes intended by REGAL. This document shall be returned to REGAL upon its request. This document may be subject to certain restrictions under U.S. export control laws and regulations.

THIRD ANGLE PROJECTION

2 UPDATED AS PER ISO5-2192

09/15/05

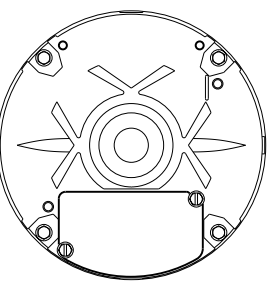
PRAVEEN.K



FACE RUNOUT (WITH INDICATOR MOUNTED STATIONARY RELATIVE TO SHAFT) MUST NOT EXCEED .004 T.I.R.
 ECCENTRICITY OF THIS SURFACE (WITH INDICATOR MOUNTED STATIONARY RELATIVE TO SHAFT) MUST NOT EXCEED .004 T.I.R.

WATER SLINGER (WHEN SPECIFIED) _____
 .4375-20 UNF-2A (SEE VIEW ABOVE) _____

P	TYPE	GE SIZE	NEMA FR	AG	XS	XH	XR	YR	SHELL REF.	
1	KC	39	56J	13.14	10.49	2.66	8.32	1.60	4.34	8.50



VIEW SHOWING O.P.F. END SHIELD

FOR ADDITIONAL INFO REFER TO:

APPLIED PRACTICES	MODEL	DETAIL	SIGNATURES	DATE
DIMENSIONS ARE IN INCHES				

REGAL-BELOIT CORPORATION

OUTLINE

TOLERANCE ON:

1 PL DECIMALS ± 0.1	CHECKED	
2 PL DECIMALS ± 0.02	ENGRG	
3 PL DECIMALS ± 0.005	MFG	

ANGLES ± 1.0

FINISH

QUALITY

ISSUED

C.C.P.

03/01/95

FORM "N" - PUMP MOTOR - DRIP PROOF

R2 END MOUNTED - SLEEVE & BALL BEARING

SCALE: 1.000 REF. No.:

