

PRODUCT INFORMATION PACKET

marathon[®]
Motors

Model No: 5KC46LN0149X
Catalog No: C1156
3/4,1725,DP,56,1/60/115/208-230
Open Drip Proof (ODP)



Regal and Marathon are trademarks of Regal Beloit Corporation or one of its affiliated companies.
©2018 Regal Beloit Corporation, All Rights Reserved. MC017097E

REGAL[®]

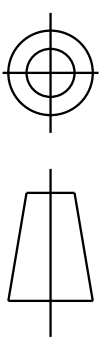
Nameplate Specifications

Output HP	3/4 Hp	Output KW	0.56 kW
Frequency	60 Hz	Voltage	115/208-230 V
Current	13.3,6.5-6.6 A	Speed	1725 rpm
Service Factor	1.25	Phase	1
Efficiency	70 %	Duty	Continous
Insulation Class	B	KVA Code	L
Frame	56	Enclosure	Drip Proof
Overload Protector	AUTO	Ambient Temperature	40 °C
Drive End Bearing Size	6203	Opp Drive End Bearing Size	6203
UL	Recognized	CSA	Yes
CE	N		

Technical Specifications

Electrical Type	Capacitor Start Induction Run	Starting Method	SM
Poles	4	Rotation	Counterclockwise/Clockwise
Mounting	Resilient Base	Motor Orientation	ANY
Drive End Bearing	BALL	Opp Drive End Bearing	BALL
Frame Material	Rolled Steel	Overall Length	10.78 in
Frame Length	6.55 in	Shaft Diameter	0.63 in
Shaft Extension	1.88 in		
Outline Drawing	52A107737P5	Connection Diagram	52A105383AA

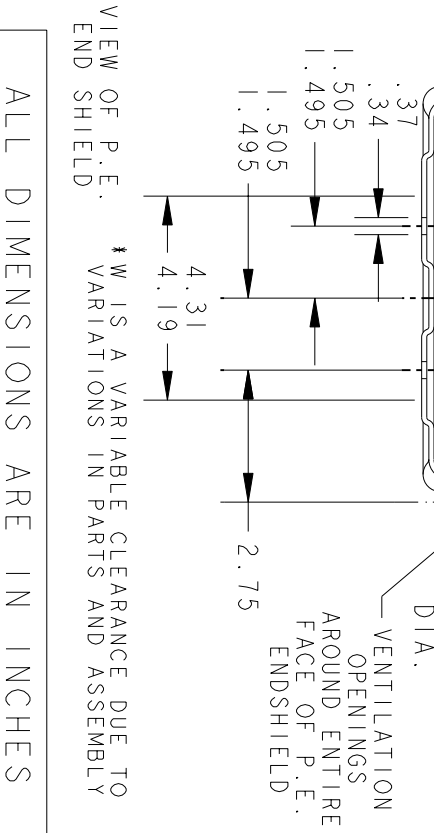
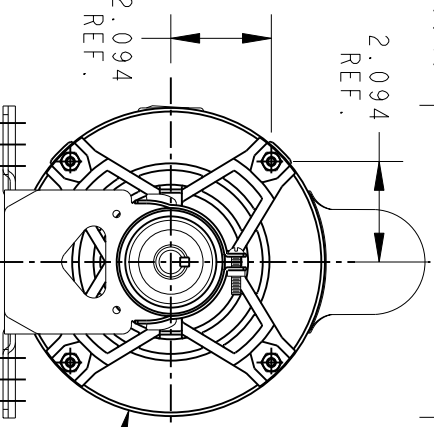
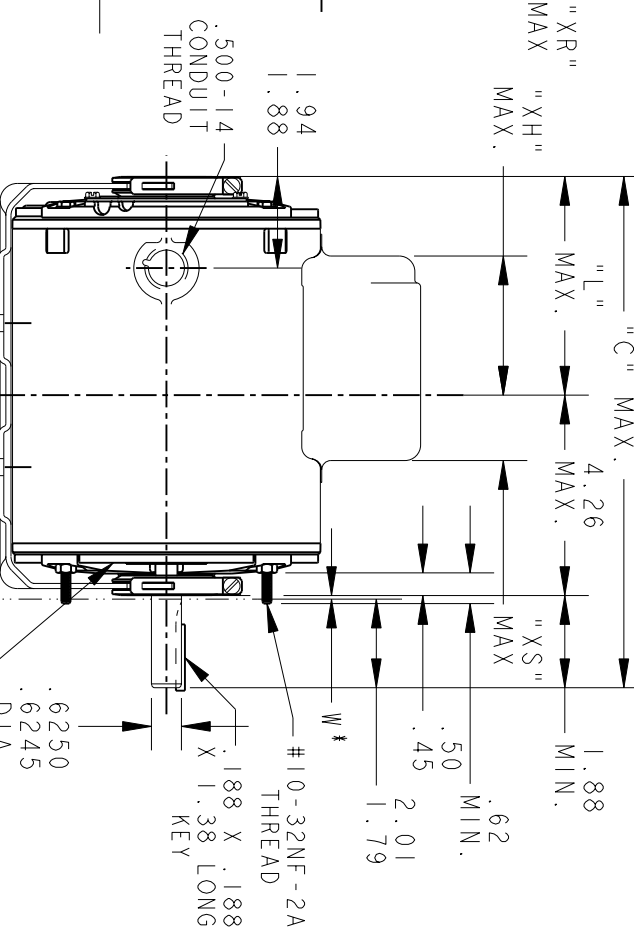
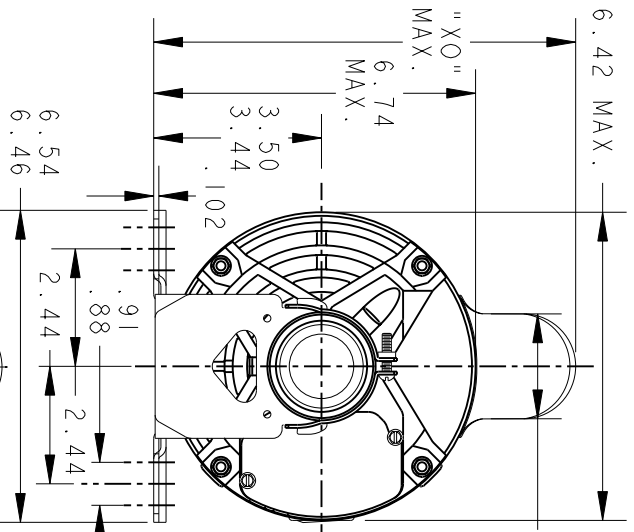
This is an uncontrolled document once printed or downloaded and is subject to change without notice. Date Created: 10/08/2018



REV.	DESCRIPTION	DATE	APPROVED
7	UPDATED PT# 10 PER ISAAC 06-0996	05/17/06	PRAVEEN.K

52A107737 7

SIZE A DRAWING NO.



ALL DIMENSIONS ARE IN INCHES

VIEW OF P.E. END SHIELD *W IS A VARIABLE CLEARANCE DUE TO VARIATIONS IN PARTS AND ASSEMBLY

10	9	8	7	6	5	4	3	2	1	P
KC	KC	KC	KC	KC	KC	KC	KC	KC	KC	TYPE
49	48	46	49	49	46	42	49	42	46	GE SIZE
10.38	12.66	10.78	10.38	11.38	10.78	9.95	11.38	9.95	10.78	NEMA FR.
4.22	6.50	4.62	4.22	5.22	4.62	3.79	5.22	3.79	4.62	"C"
2.72	3.40	2.44	2.63	3.63	3.03	2.20	3.63	2.20	3.03	"L"
8.84	8.22	8.84	8.22	8.22	8.22	1.60	8.22	1.60	8.22	"XH"
2.22	1.60	2.22	1.60	1.60	1.60	2.34	2.40	2.22	2.34	"XO"
2.72	2.29	2.10	1.91	2.12	1.51	2.34	2.12	2.34	2.34	"XR"
6.15	8.43	6.55	6.15	7.15	6.55	5.72	7.15	5.72	6.55	"XS"
										MIN. SHELL

SIGNATURES		DATE
MODEL	M.D. PAPER	10/10/91
DETAIL		
CHECKED		
ENGRG		
FOR ADDITIONAL INFO REFER TO:		
APPLIED PRACTICES	QUALITY	
DIMENSIONS ARE IN INCHES	ISSUED	M.D. PAPER 05/17/99
MATERIAL	SOLID MODEL:	52A107737



REGAL-BELOIT CORPORATION

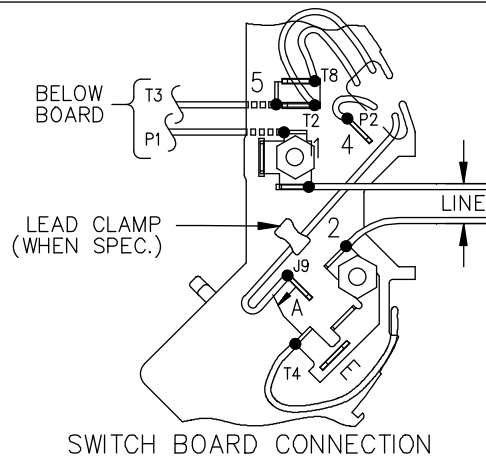
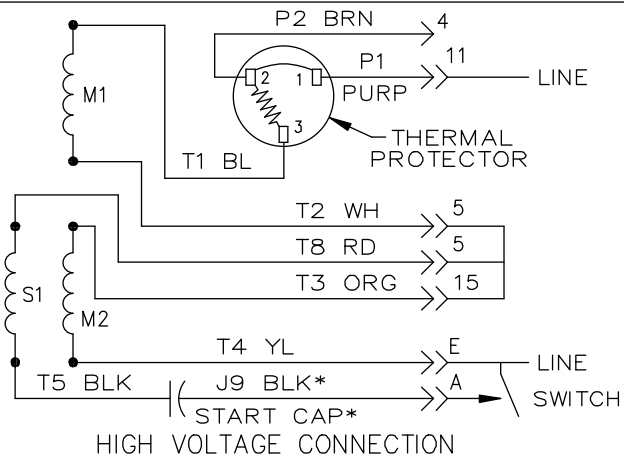
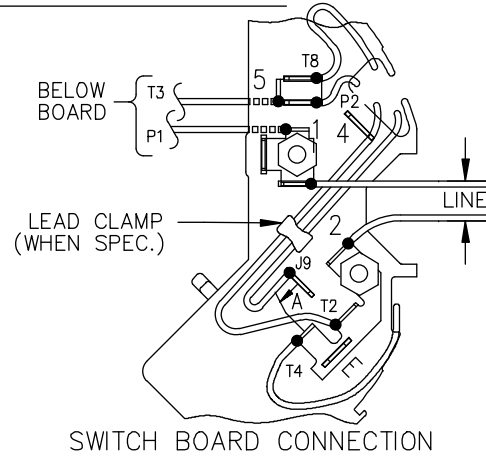
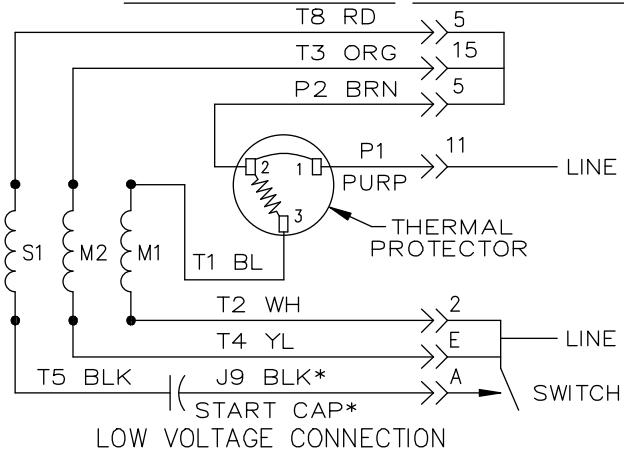
GENERAL PURPOSE MOTOR DRIP PROOF - BALL BEARING

RESILIENT BASE EXTENDED CLAMP SCREWS FINE - 40 FRAME REDESIGN (SKC426N0022X)

52A107737 7

SCALE: 0.250 REF. No.: SHEET 1 of 1


EITHER ROTATION, DUAL VOLTAGE, TYPE KC OR KH, WITH THERMAL PROTECTION



NOTE #1 - START CAP & J9 WHEN SPECIFIED (*). IF NO CAPACITOR (KH), CONNECT T5 DIRECTLY TO SWITCH (A). WHEN MORE THAN ONE CAPACITOR IS USED, CONNECT IN PARALLEL.

NOTE #2 - TO REVERSE ROTATION, INTER CHANGE RD(T8) AND BLK(J9-KC OR T5-KH) LEADS.

SWITCH REF. - 115D958AB	CONNECTION LABEL	CCW ROTATION: NP52X332051AA
		CW ROTATION: NP52X332051AC

NO.	REVISION	BY & DATE	CHK	ANG	TOLERANCES UNLESS SPECIFIED		FINISH	DRAWN M.D.P 06/29/87		
					DEC.	INCHES				
					.X	±0.1	 REGAL-BELOIT CORPORATION	CHK		
					.XX	±0.02		TITLE	APPD M.D.P 03/26/96	
5	ADDED CONNECTION LABEL PER ECO-0030779	UD 02/06/13	PKG	.XXX	±0.005		CONNECTION DIAGRAM 30 FRAME SWITCH REDESIGN	SCALE 1=1		
4	UPDATED PER ISO7-0150	MD 01/23/07		.XXXX	±0.0005	MAT'L.		REF		
					±1.0			FMF		
								PREV		
THIS DRAWING IN DESIGN AND DETAIL IS OUR PROPERTY AND MUST NOT BE USED EXCEPT IN CONNECTION WITH OUR WORK. ALL RIGHTS OF DESIGN AND INVENTION ARE RESERVED. THIS IS AN ELECTRONICALLY GENERATED DOCUMENT - DO NOT SCALE THIS PRINT				RFP		CAD FILE	52A105383AA	SIZE	DRAWING NO.	REV.
				DIST				A	52A105383AA	5