

PRODUCT INFORMATION PACKET

Model No: 5KC46LN0254X
Catalog No: C1483
3/4, 1725, DP, 56, 1/60/115/230
Open Drip Proof (ODP)



Regal and Marathon are trademarks of Regal Beloit Corporation or one of its affiliated companies.
©2018 Regal Beloit Corporation, All Rights Reserved. MC017097E



Nameplate Specifications

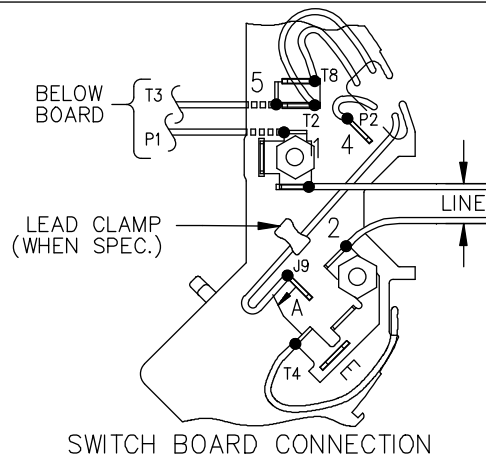
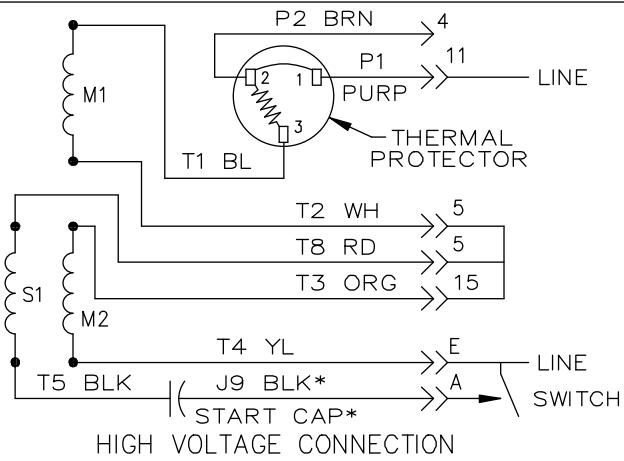
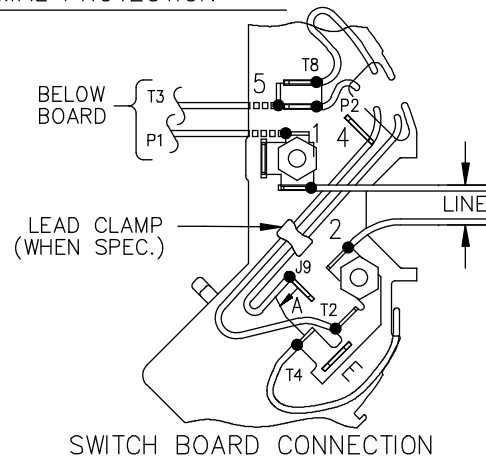
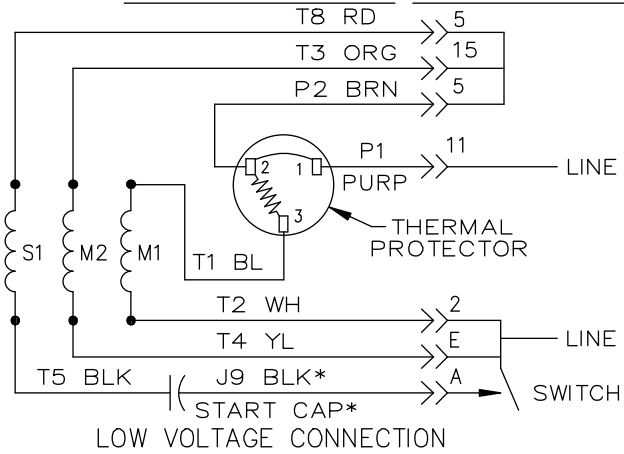
Output HP	3/4 Hp	Output KW	0.56 kW
Frequency	60 Hz	Voltage	115/230 V
Current	13.2,6.6 A	Speed	1725 rpm
Service Factor	1	Phase	1
Efficiency	65.4 %	Duty	Continuous
Insulation Class	B	Design Code	-
KVA Code	L	Frame	56
Enclosure	Drip Proof	Overload Protector	AUTO
Ambient Temperature	40 °C	Drive End Bearing Size	6203
Opp Drive End Bearing Size	6203	UL	Recognized
CSA	Yes	CE	N

Technical Specifications

Electrical Type	Capacitor Start Induction Run	Starting Method	SM
Poles	4	Rotation	Clockwise/Counterclockwise
Mounting	Resilient Base	Motor Orientation	ANY
Drive End Bearing	BALL	Opp Drive End Bearing	BALL
Frame Material	Rolled Steel	Overall Length	10.78 in
Frame Length	6.55 in	Shaft Diameter	0.63 in
Shaft Extension	1.88 in		
Outline Drawing	52A107737P8	Connection Diagram	52A105383AA

This is an uncontrolled document once printed or downloaded and is subject to change without notice. Date Created: 10/08/2018

EITHER ROTATION, DUAL VOLTAGE, TYPE KC OR KH, WITH THERMAL PROTECTION



NOTE #1 - START CAP & J9 WHEN SPECIFIED (*). IF NO CAPACITOR (KH), CONNECT T5 DIRECTLY TO SWITCH (A). WHEN MORE THAN ONE CAPACITOR IS USED, CONNECT IN PARALLEL.

NOTE #2 - TO REVERSE ROTATION, INTER CHANGE RD(T8) AND BLK(J9-KC OR T5-KH) LEADS.

SWITCH REF. - 115D958AB	CONNECTION LABEL	CCW ROTATION: NP52X332051AA
		CW ROTATION: NP52X332051AC

NO.	REVISION	BY & DATE	CHK	TOLERANCES UNLESS SPECIFIED		FINISH	DRAWN
				DEC.	INCHES		
				.X	±0.1	REGAL-BELOIT CORPORATION	M.D.P 06/29/87
				.XX	±0.02		CHK
5	ADDED CONNECTION LABEL PER ECO-0030779	UD 02/06/13	PKG	.XXX	±0.005	TITLE CONNECTION DIAGRAM 30 FRAME SWITCH REDESIGN	APPD M.D.P 03/26/96
4	UPDATED PER ISO7-0150	MD 01/23/07		.XXXX	±0.0005		SCALE 1=1
				ANG	±1.0	MAT'L.	REF
						FINISH	FMF
THIS DRAWING IN DESIGN AND DETAIL IS OUR PROPERTY AND MUST NOT BE USED EXCEPT IN CONNECTION WITH OUR WORK. ALL RIGHTS OF DESIGN AND INVENTION ARE RESERVED. THIS IS AN ELECTRONICALLY GENERATED DOCUMENT - DO NOT SCALE THIS PRINT				RFP		CAD FILE	DRAWING NO.
				DIST		52A105383AA	52A105383AA
						SIZE	REV.
						A	5