

PRODUCT INFORMATION PACKET

marathon[®]
Motors

Model No: 5KC49GN0001
Catalog No: B1316
1/2,1725, DP,56,1/60/115/208-230
Open Drip Proof (ODP)



Regal and Marathon are trademarks of Regal Beloit Corporation or one of its affiliated companies.
©2018 Regal Beloit Corporation, All Rights Reserved. MC017097E

REGAL[®]

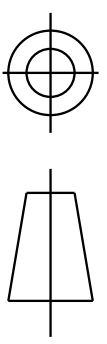
Nameplate Specifications

Output HP	1/2 Hp	Output KW	0.37 kW
Frequency	60 Hz	Voltage	115/208-230 V
Current	8.8,4.2-4.4 A	Speed	1725 rpm
Service Factor	1.25	Phase	1
Efficiency	52.5 %	Duty	Continuous
Insulation Class	B	KVA Code	N
Frame	56	Enclosure	Drip Proof
Overload Protector	N/R	Ambient Temperature	40 °C
Drive End Bearing Size	6203	Opp Drive End Bearing Size	6203
UL	Recognized	CSA	Yes
CE	N		

Technical Specifications

Electrical Type	Capacitor Start Induction Run	Starting Method	SM
Poles	4	Rotation	Counterclockwise/Clockwise
Mounting	Resilient Base	Motor Orientation	ANY
Drive End Bearing	BALL	Opp Drive End Bearing	BALL
Frame Material	Rolled Steel	Overall Length	10.38 in
Frame Length	6.15 in	Shaft Diameter	0.63 in
Shaft Extension	1.88 in		
Outline Drawing	52A107737P10	Connection Diagram	52A105381AA

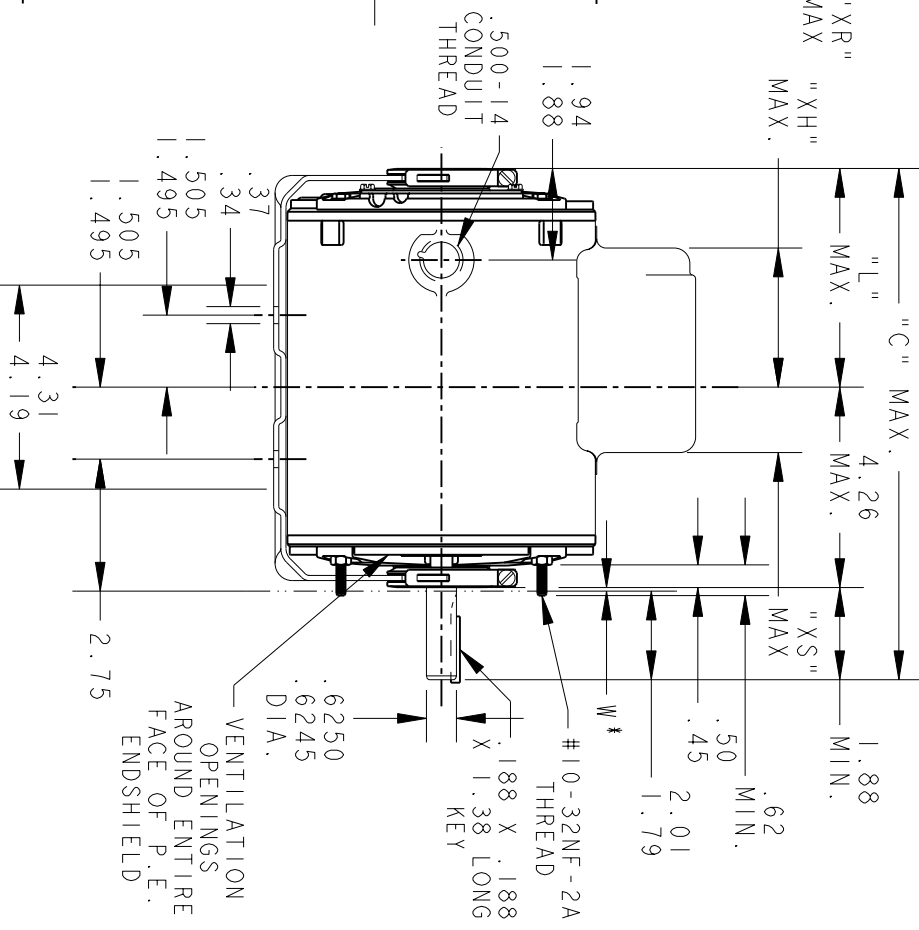
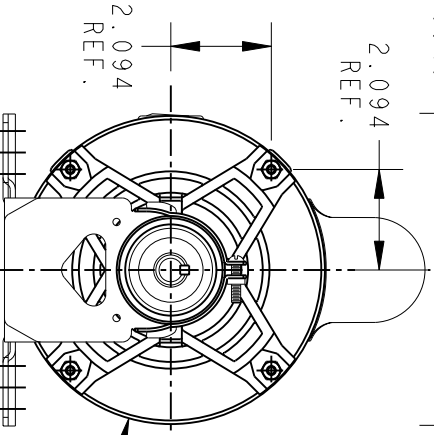
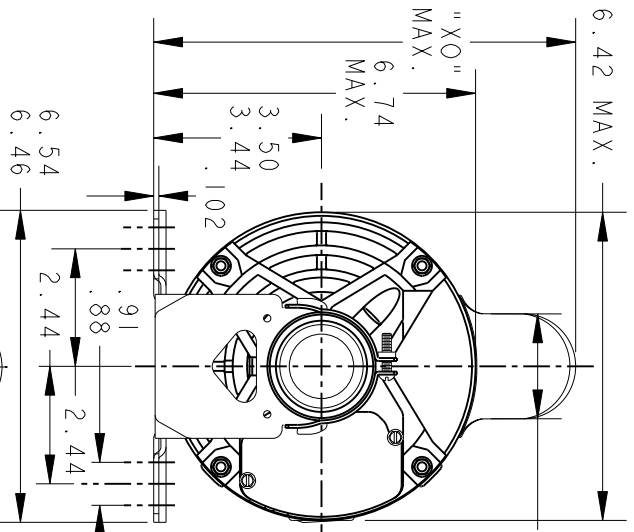
This is an uncontrolled document once printed or downloaded and is subject to change without notice. Date Created: 10/08/2018



REV.	DESCRIPTION	DATE	APPROVED
7	UPDATED PT# 10 PER ISAAC 06-0996	05/17/06	PRAVEEN.K

52A107737 7

SIZE A DRAWING NO.



VIEW OF P.E. END SHIELD *W IS A VARIABLE CLEARANCE DUE TO VARIATIONS IN PARTS AND ASSEMBLY

ALL DIMENSIONS ARE IN INCHES

10	KC	49	56	10.38	4.22	2.72	8.84	2.22	2.72		6.15
9	KC	48	56	12.66	6.50	3.40	8.22	1.60	2.29		8.43
8	KC	46	56	10.78	4.62	2.44	8.84	2.22	2.10		6.55
7	KC	49	56	10.38	4.22	2.63	8.22	1.60	1.91		6.15
6	KC	49	56	11.38	5.22	3.63	8.22	1.60	2.12		7.15
5	KC	46	56	10.78	4.62	3.03	8.22	1.60	1.51		6.55
4	KC	42	56	9.95	3.79	2.20	8.22	1.60	2.34		5.72
3	KC	49	56	11.38	5.22	3.63	8.94	2.40	2.12		7.15
2	KC	42	56	9.95	3.79	2.20	8.84	2.22	2.34		5.72
1	KC	46	56	10.78	4.62	3.03	8.84	2.22	1.51		6.55
P	TYPE	GE	NEMA	"C"	"L"	"XH"	"XO"	"XR"	"XS"		MIN. SHELL

SIGNATURES		DATE
MODEL	M.D. PAPE	10/10/91
DETAIL		
CHECKED		
ENGRG		
FOR ADDITIONAL INFO REFER TO:	MFG	
APPLIED PRACTICES	QUALITY	
DIMENSIONS ARE IN INCHES	ISSUED	M.D. PAPE 05/17/99
MATERIAL	SOLID MODEL:	52A107737



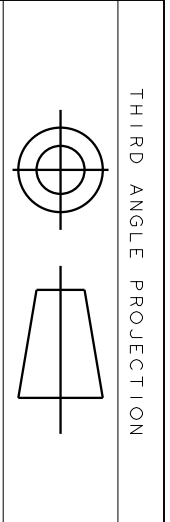
REGAL-BELOIT CORPORATION

TITLE OUTLINE

GENERAL PURPOSE MOTOR DRIP PROOF - BALL BEARING
RESILIENT BASE EXTENDED CLAMP SCREWS FINE - 40 FRAME REDESIGN (SKC426N0022X)

SIZE DRAWING A
SCALE: 0.250 REF. No.:
52A107737 REV 7

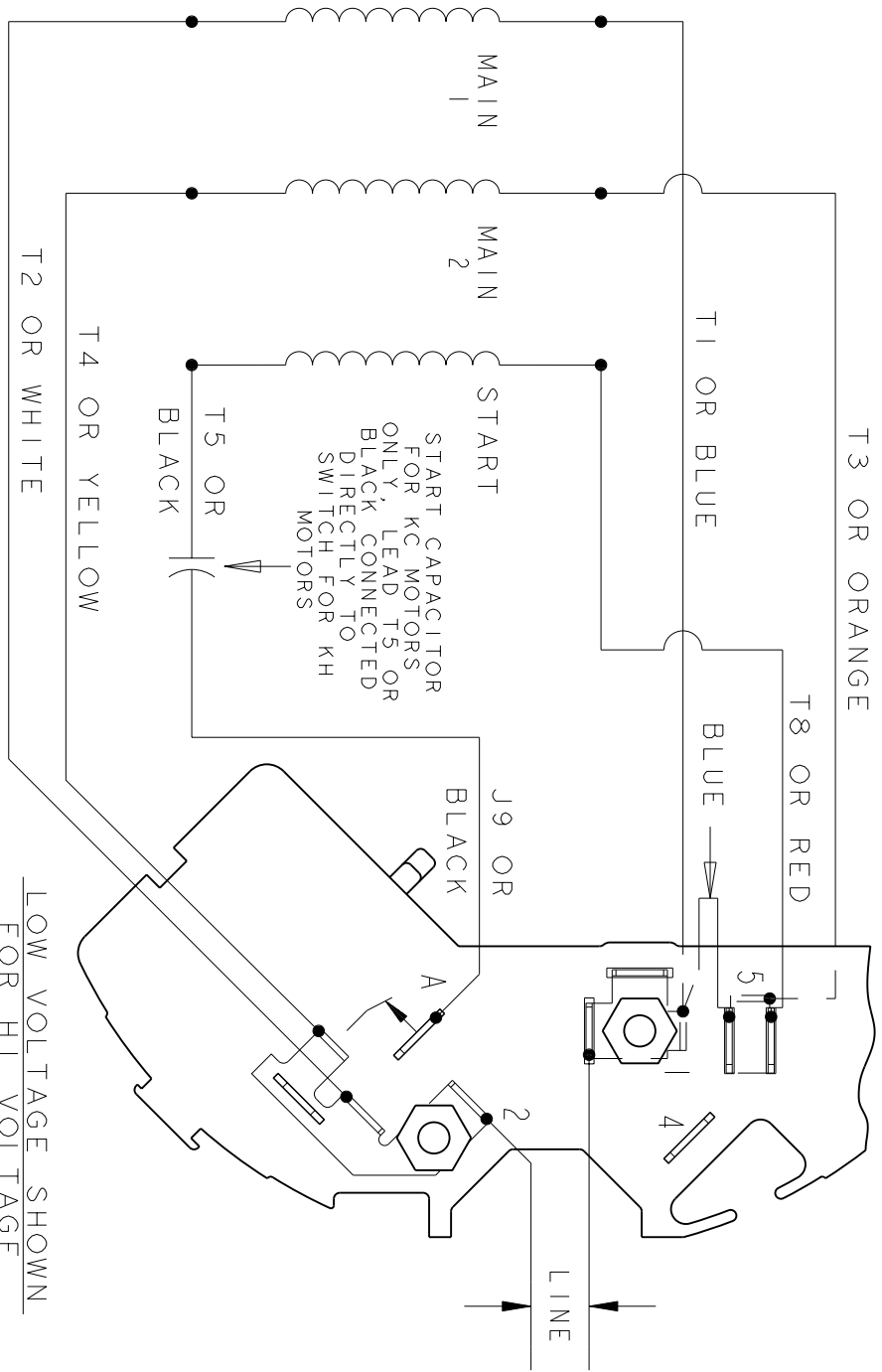
SHEET 1 of 1



THIRD ANGLE PROJECTION

REVISIONS		DESCRIPTION	DATE	APPROVED
REV.	2	UPDATED FORMAT	01/04/06	MAM

EITHER ROTATION - DUAL VOLTAGE
TYPE KC OR KH
T3 OR ORANGE



LOW VOLTAGE SHOWN
FOR HI VOLTAGE
SEE NOTE #1

- NOTE #1 - FOR HI VOLTAGE REMOVE BLUE FROM TERMINAL #5 AND PLACE ON TERMINAL #4, REMOVE WHITE (T2) FROM TERMINAL #2 AND PLACE ON TERMINAL #5.
- NOTE #2 - TO REVERSE ROTATION INTERCHANGE RED (T8) AND BLACK (J9-KC OR T5-KH) LEADS.
- NOTE #3 - WHEN MORE THAN ONE CAPACITOR IS USED CONNECT IN PARALLEL.

REF. DIAG. - 121A852

SWITCH (C) - 115D958AB
CONNECTION LABEL - 52X332050

SIGNATURES		DATE
MODEL	M.D. PAPE	06/29/87
DETAIL		
CHECKED		
ENGRG		
MFG		
FOR ADDITIONAL INFO REFER TO:		
APPLIED PRACTICES	QUALITY	
DIMENSIONS ARE IN INCHES	ISSUED	M.D.P. 06/29/87
MATERIAL	SOLID MODEL: 52A105381AA	



REGAL-BELOMT CORPORATION

TITLE
CONNECTION DIAGRAM

FME: 30 FRAME SWITCH REDESIGN

SIZE	DRAWING	SCALE: 1.000	REF. No.:	SHEET 1 of 1
A				
REV				2