

# PRODUCT INFORMATION PACKET

Model No: 5KC49GN0022X  
Catalog No: C1153  
1/2, 1800, DP, 56, 1/60/115/208-230  
Open Drip Proof (ODP)



Regal and Marathon are trademarks of Regal Beloit Corporation or one of its affiliated companies.  
©2018 Regal Beloit Corporation, All Rights Reserved. MC017097E



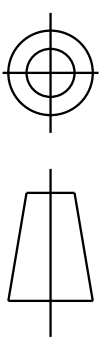
**Nameplate Specifications**

Output HP	<b>1/2 Hp</b>	Output KW	<b>0.37 kW</b>
Frequency	<b>60 Hz</b>	Voltage	<b>115/208-230 V</b>
Current	<b>8.6,4.1-4.3 A</b>	Speed	<b>1725 rpm</b>
Service Factor	<b>1.25</b>	Phase	<b>1</b>
Efficiency	<b>52.5 %</b>	Duty	<b>Continuous</b>
Insulation Class	<b>B</b>	KVA Code	<b>K</b>
Frame	<b>56</b>	Enclosure	<b>Drip Proof</b>
Overload Protector	<b>AUTO</b>	Ambient Temperature	<b>40 °C</b>
Drive End Bearing Size	<b>6203</b>	Opp Drive End Bearing Size	<b>6203</b>
UL	<b>Recognized</b>	CSA	<b>Yes</b>
CE	<b>N</b>		

**Technical Specifications**

Electrical Type	<b>Capacitor Start Induction Run</b>	Starting Method	<b>SM</b>
Poles	<b>4</b>	Rotation	<b>Counterclockwise/Clockwise</b>
Mounting	<b>Resilient Base</b>	Motor Orientation	<b>ANY</b>
Drive End Bearing	<b>BALL</b>	Opp Drive End Bearing	<b>BALL</b>
Frame Material	<b>Rolled Steel</b>	Overall Length	<b>10.38 in</b>
Frame Length	<b>6.15 in</b>	Shaft Diameter	<b>0.63 in</b>
Shaft Extension	<b>1.88 in</b>		
Outline Drawing	<b>52A107737P7</b>	Connection Diagram	<b>52A105383AA</b>

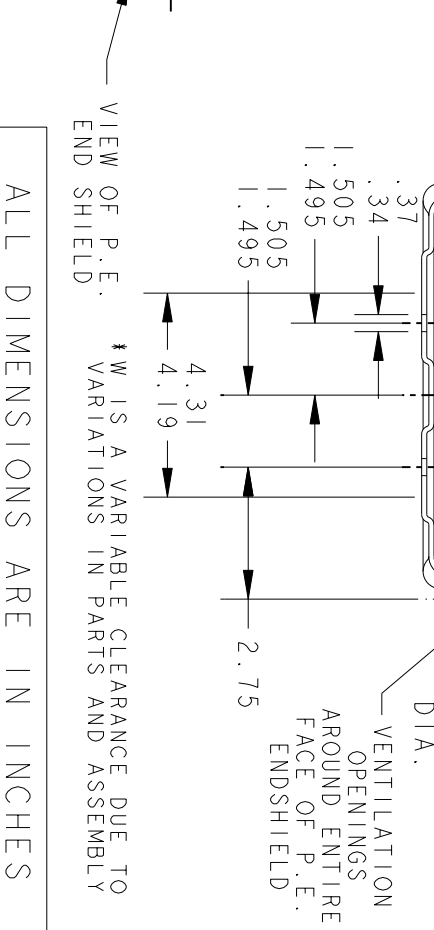
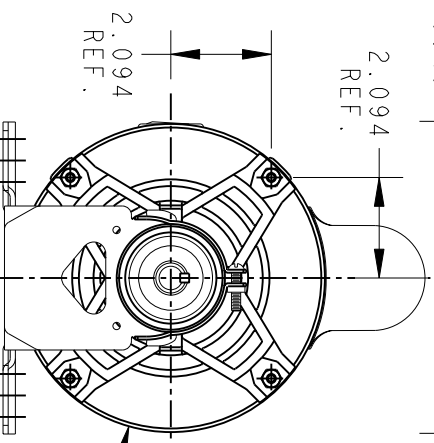
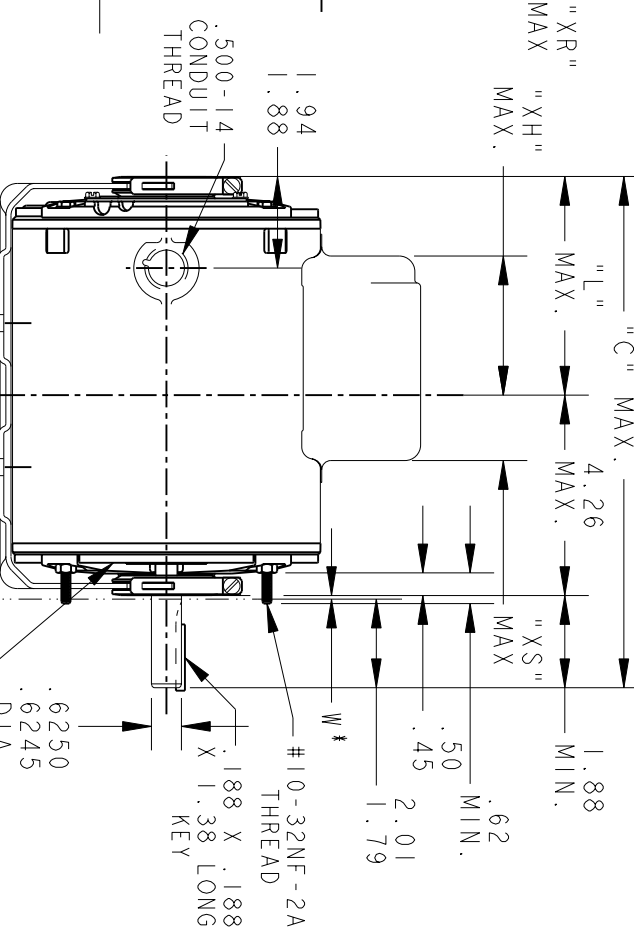
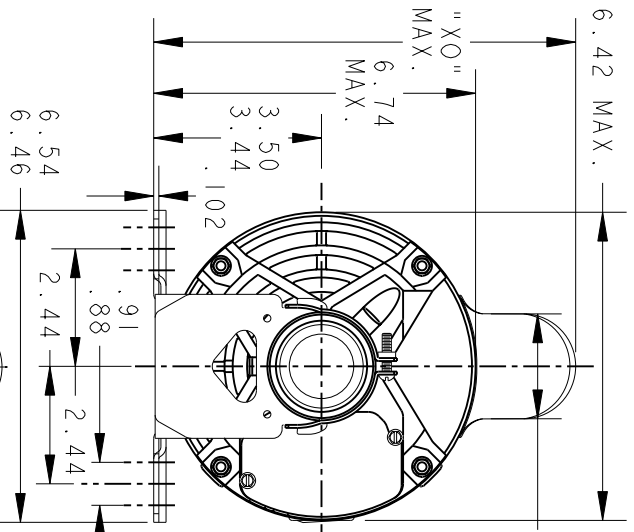
**This is an uncontrolled document once printed or downloaded and is subject to change without notice. Date Created: 10/08/2018**



REV.	DESCRIPTION	DATE	APPROVED
7	UPDATED PT# 10 PER ISAAC 06-0996	05/17/06	PRAVEEN.K

52A107737 7

SIZE A DRAWING NO.



ALL DIMENSIONS ARE IN INCHES

10	9	8	7	6	5	4	3	2	1	P
KC	KC	KC	KC	KC	KC	KC	KC	KC	KC	TYPE
49	48	46	49	49	46	42	49	42	46	GE SIZE
10.38	12.66	10.78	10.38	11.38	10.78	9.95	11.38	9.95	10.78	NEMA FR.
4.22	6.50	4.62	4.22	5.22	4.62	3.79	5.22	3.79	4.62	"C"
2.72	3.40	2.44	2.63	3.63	3.03	2.20	3.63	2.20	3.03	"L"
8.84	8.22	8.84	8.22	8.22	8.22	1.60	8.22	1.60	8.22	"XH"
2.22	1.60	2.22	1.60	1.60	1.60	2.34	2.40	2.22	2.22	"XO"
2.72	2.29	2.10	1.91	2.12	1.51	2.34	2.12	2.34	1.51	"XR"
6.15	8.43	6.55	6.15	7.15	6.55	5.72	7.15	5.72	6.55	"XS"
										MIN. SHELL

SIGNATURES		DATE
MODEL	M.D. PAPER	10/10/91
DETAIL		
CHECKED		
ENGRG		
FOR ADDITIONAL INFO REFER TO:		
APPLIED PRACTICES	QUALITY	
DIMENSIONS ARE IN INCHES	ISSUED	M.D. PAPER
		05/17/99
MATERIAL	SOLID MODEL: 52A107737	



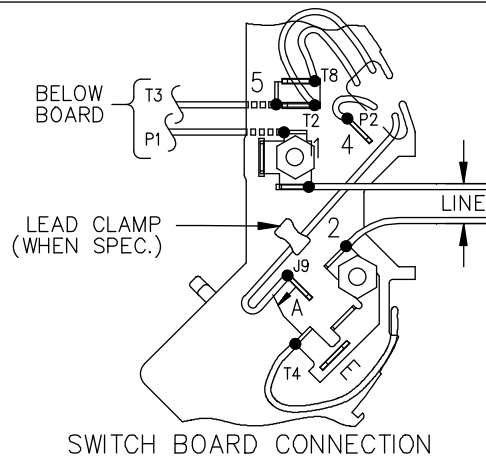
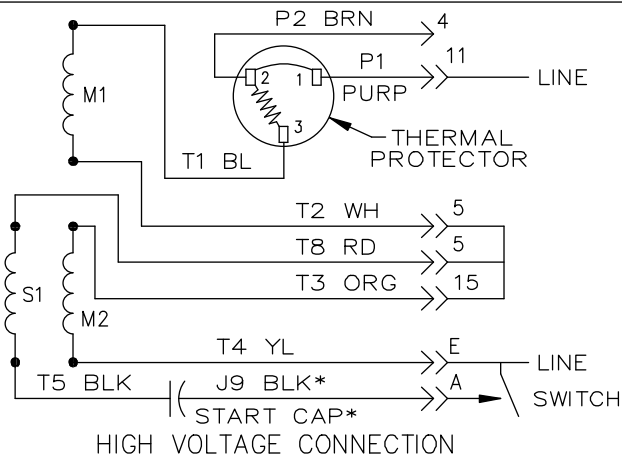
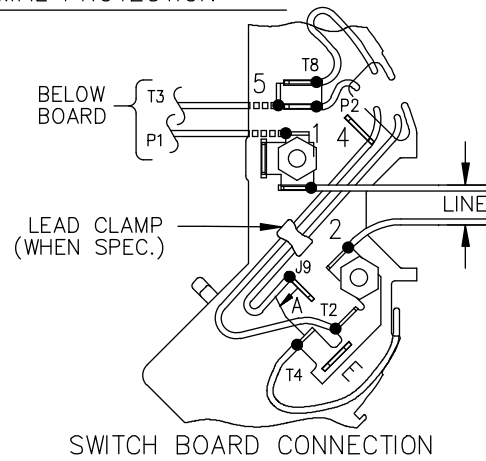
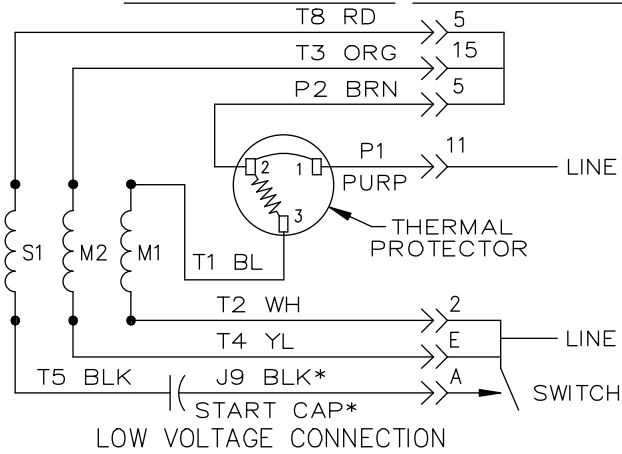
REGAL-BELOIT CORPORATION

OUTLINE

GENERAL PURPOSE MOTOR DRIP PROOF - BALL BEARING  
RESILIENT BASE EXTENDED CLAMP SCREWS FWF - 40 FRAME REDESIGN (SKC426N0022X)

TITLE	SCALE: 0.250	REF. No.:	SHEET 1 of 1
SIZE DRAWING	A		
REV	52A107737	7	


EITHER ROTATION, DUAL VOLTAGE, TYPE KC OR KH, WITH THERMAL PROTECTION



NOTE #1 - START CAP & J9 WHEN SPECIFIED (\*). IF NO CAPACITOR (KH), CONNECT T5 DIRECTLY TO SWITCH (A). WHEN MORE THAN ONE CAPACITOR IS USED, CONNECT IN PARALLEL.

NOTE #2 - TO REVERSE ROTATION, INTER CHANGE RD(T8) AND BLK(J9-KC OR T5-KH) LEADS.

SWITCH REF. - 115D958AB	CONNECTION LABEL	CCW ROTATION: NP52X332051AA
		CW ROTATION: NP52X332051AC

NO.	REVISION	BY & DATE	CHK	ANG	TOLERANCES UNLESS SPECIFIED		FINISH	DRAWN M.D.P 06/29/87	
					DEC.	INCHES			
					.X	±0.1	 <b>REGAL-BELOIT CORPORATION</b>	CHK	
					.XX	±0.02		TITLE	APPD M.D.P 03/26/96
5	ADDED CONNECTION LABEL PER ECO-0030779	UD 02/06/13	PKG	.XXX	±0.005		CONNECTION DIAGRAM 30 FRAME SWITCH REDESIGN	SCALE 1=1	
4	UPDATED PER ISO7-0150	MD 01/23/07		.XXXX	±0.0005	MAT'L.		REF	
					±1.0			FMF	
								PREV	
THIS DRAWING IN DESIGN AND DETAIL IS OUR PROPERTY AND MUST NOT BE USED EXCEPT IN CONNECTION WITH OUR WORK. ALL RIGHTS OF DESIGN AND INVENTION ARE RESERVED. THIS IS AN ELECTRONICALLY GENERATED DOCUMENT - DO NOT SCALE THIS PRINT				RFP	CAD FILE	52A105383AA	SIZE	DRAWING NO.	REV.
				DIST			A	52A105383AA	5