

# PRODUCT INFORMATION PACKET

Model No: 5KC49NN2130X  
Catalog No: C273  
1,3450,TEFC,56,1/60/115/230  
Totally Enclosed Fan Cooled (TEFC)



Regal and Marathon are trademarks of Regal Beloit Corporation or one of its affiliated companies.  
©2018 Regal Beloit Corporation, All Rights Reserved. MC017097E



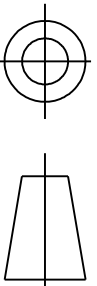
### Nameplate Specifications

Output HP	<b>1 Hp</b>	Output KW	<b>0.75 kW</b>
Frequency	<b>60 Hz</b>	Voltage	<b>115/230 V</b>
Current	<b>13.0,6.5 A</b>	Speed	<b>3450 rpm</b>
Service Factor	<b>1.15</b>	Phase	<b>1</b>
Efficiency	<b>68.5 %</b>	Duty	<b>Continuous</b>
Insulation Class	<b>B</b>	Design Code	<b>-</b>
KVA Code	<b>L</b>	Frame	<b>56</b>
Enclosure	<b>Totally Enclosed Fan Cooled</b>	Overload Protector	<b>AUTO</b>
Ambient Temperature	<b>40 °C</b>	Drive End Bearing Size	<b>6203</b>
Opp Drive End Bearing Size	<b>6203</b>	UL	<b>Recognized</b>
CSA	<b>Yes</b>	CE	<b>N</b>

### Technical Specifications

Electrical Type	<b>Capacitor start(CSIR)</b>	Starting Method	<b>SM</b>
Poles	<b>2</b>	Rotation	<b>Counterclockwise/Clockwise</b>
Mounting	<b>Rigid base</b>	Motor Orientation	<b>Any</b>
Drive End Bearing	<b>BALL</b>	Opp Drive End Bearing	<b>BALL</b>
Frame Material	<b>Rolled Steel</b>	Overall Length	<b>12.43 in</b>
Frame Length	<b>7.15 in</b>	Shaft Diameter	<b>0.630 in</b>
Shaft Extension	<b>1.88 in</b>		
Outline Drawing	<b>52A107631P6</b>	Connection Diagram	<b>52A105383BA</b>

This is an uncontrolled document once printed or downloaded and is subject to change without notice. Date Created: 06/29/2018

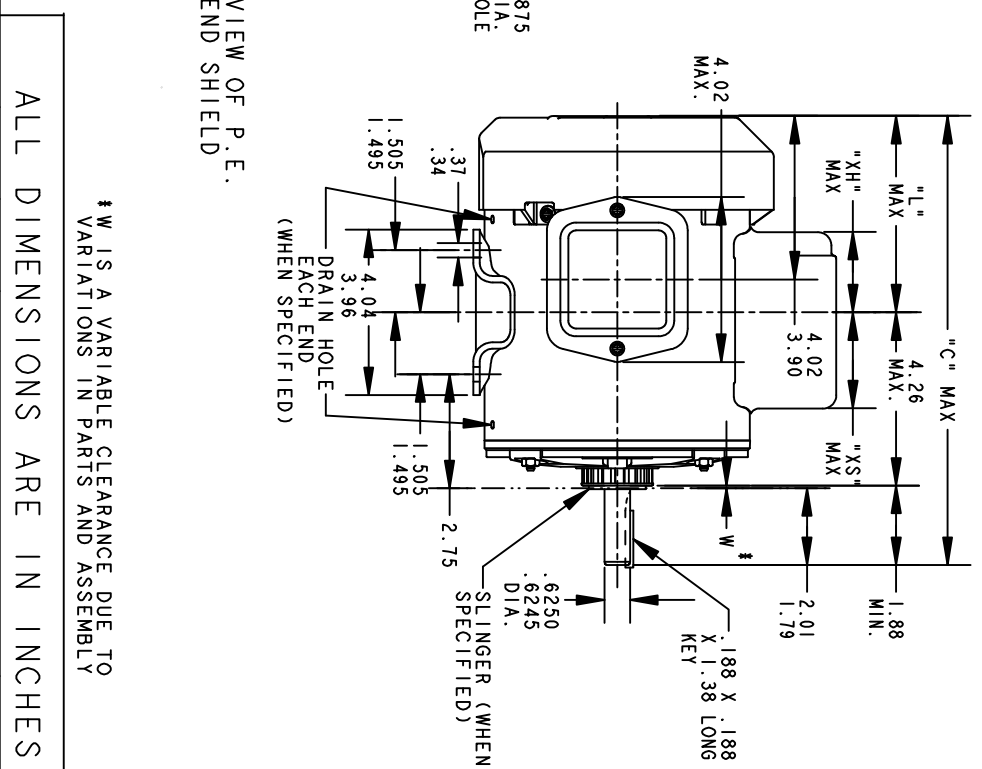
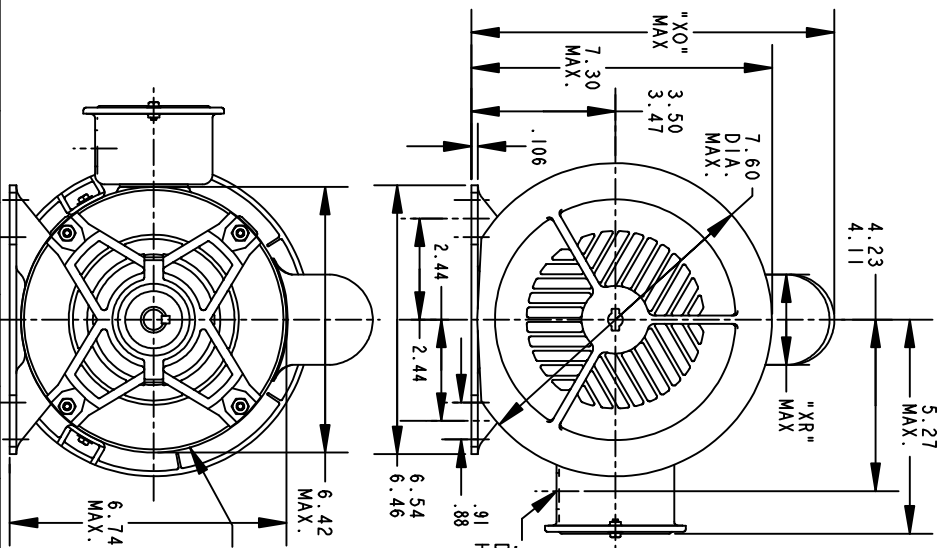


THIRD ANGLE PROJECTION

REVISIONS

REV.	DESCRIPTION	DATE	APPROVED
16	AADED PT# 9 PER DSI0-0516	05/07/10	PRAVEEN.K

REV 15  
SHEET 1  
DRAWING NO. 52A107631  
SIZE A



VIEW OF P. E. END SHIELD

ALL DIMENSIONS ARE IN INCHES

\*W IS A VARIABLE CLEARANCE DUE TO VARIATIONS IN PARTS AND ASSEMBLY

P	TYPE	GE SIZE	NEMA FR.	"C"	"L"	"XH"	"XO"	"XR"	"XS"	MIN. SHELL
9	KC	49	56	12.96	6.81	3.58	8.24	1.60	2.17	7.68
8	KC	48	56	13.71	6.05	4.33	8.26	2.40	2.92	8.43
7	KC	49	56	11.43	5.28	2.00	8.26	1.60	2.48	6.15
6	KC	49	56	12.43	6.28	3.51	8.22	1.60	2.24	7.15
5	KC	49	56	12.43	6.28	3.51	8.94	2.40	2.24	7.15
4	KC	49	56	12.96	6.81	3.58	8.94	2.40	2.17	7.68
3	KC	46	56	11.83	5.68	2.91	8.94	2.40	2.84	6.55
2	KC	46	56	11.83	5.68	2.91	8.84	2.22	1.63	6.55
1	KC	42	56	11.00	4.85	2.08	8.84	2.22	2.46	5.72

SIGNATURES

MODEL	M.D. PAPE	DATE	10/23/90
DETAIL			
CHECKED			
ENGRG			
MFG			

REGAL-BELOIT CORPORATION

TITLE

GENERAL PURPOSE MOTOR TEFC - BALL BEARING - WELDED BASE FWF - 40 FRAME REDESIGN

FOR ADDITIONAL INFO REFER TO:

APPLIED PRACTICES	QUALITY	ISSUED	M.D. PAPE	04/27/94
DIMENSIONS ARE IN INCHES				

MATERIAL

SOLID MODEL: 52A107631

SCALE: 0.250

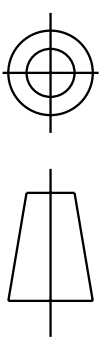
REF. No.:

SIZE DRAWING A

52A107631

REV 15

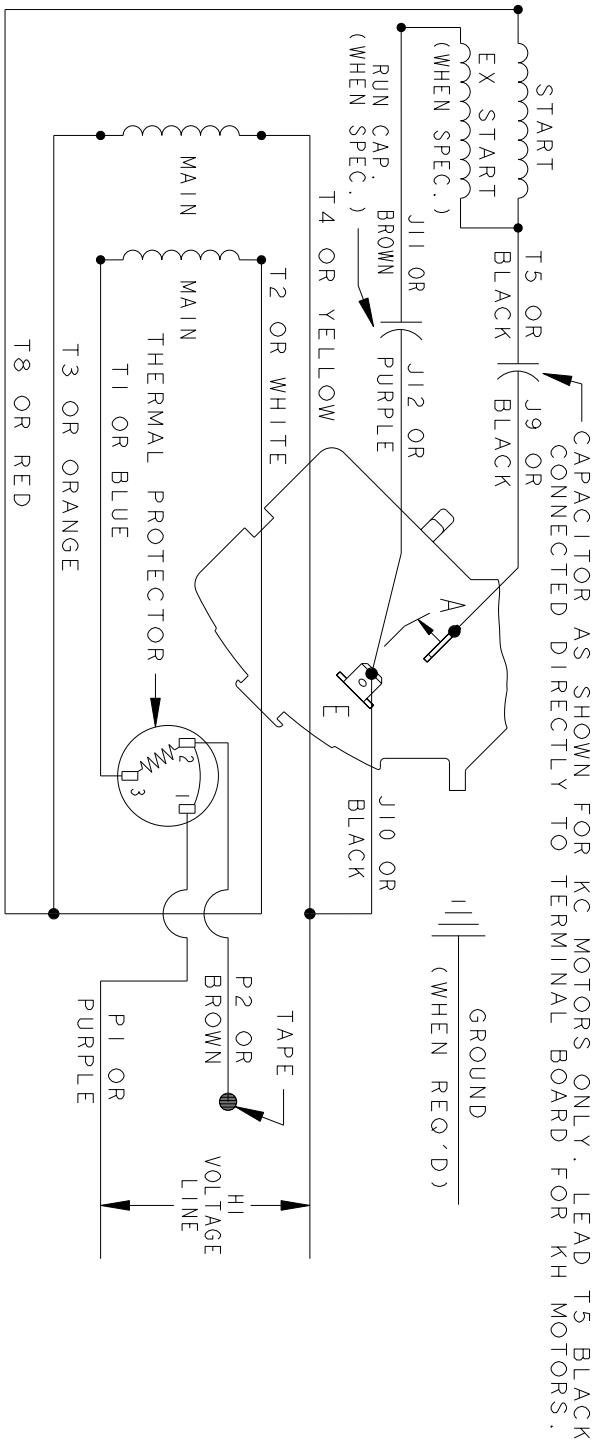
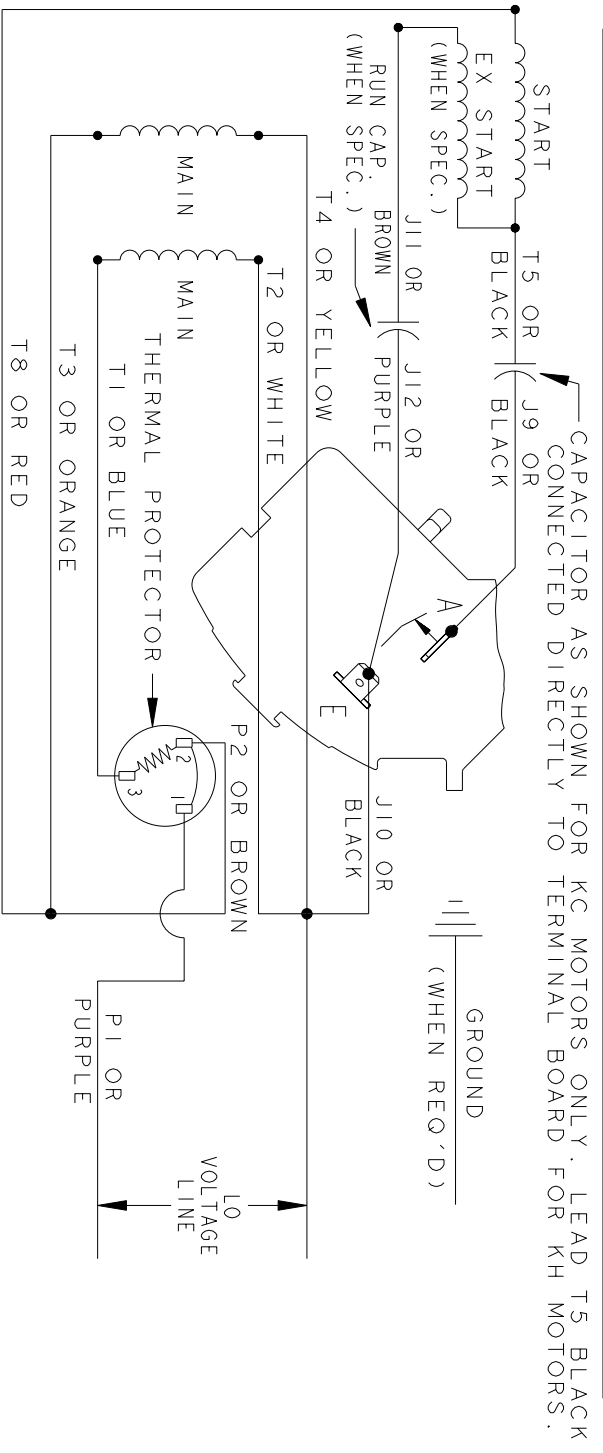
SHEET 1 OF 1



THIRD ANGLE PROJECTION

REVISIONS		DESCRIPTION	DATE	APPROVED
REV.	7	UPDATED FORMAT	01/05/06	MAM

**CCW/CW ROTATION - DUAL VOLTAGE**  
**TYPE KC , KH OR KCR - WITH THERMAL PROTECTOR**



NOTE#1 - TO REVERSE ROTATION, INTERCHANGE T8 RED AND J10 BLACK LEADS.  
 NOTE#2 - WHEN MORE THAN ONE CAPACITOR IS USED, CONNECT IN PARALLEL.  
 NOTE#3 - 115D958ABP5 - HIGH CURRENT CONTACTS.

SWITCH (C) - 115D958ABP5, SWITCH (H) - 115D958AA (USE 115D958DA FOR EP)

REF. DIAG. - 113A327, 119A9352 & 52A102102 CONNECTION LABEL - 52X332912

SIGNATURES		DATE	
MODEL	M.D.P.	06/29/81	
DETAIL			
CHECKED			
ENGRG			
MFG			
QUALITY			
ISSUED	M.D.P.	12/11/97	
FOR ADDITIONAL INFO REFER TO:			
APPLIED PRACTICES			
DIMENSIONS ARE IN INCHES			
MATERIAL	SOLID MODEL: 52A105383BA		



REGAL-BELOTT CORPORATION

**CONNECTION DIAGRAM**

**FME: 30 FRAME SWITCH REDESIGN**

**52A105383BA**

SCALE: 1.000 REF. No.: SHEET 1 of 1