

PRODUCT INFORMATION PACKET

marathon[®]
Motors

Model No: 5KC49NN2167X
Catalog No: C337
1.5,3600,DP,56J,1/60/115/230
Single Phase



Regal and Marathon are trademarks of Regal Beloit Corporation or one of its affiliated companies.
©2018 Regal Beloit Corporation, All Rights Reserved. MC017097E

REGAL[®]

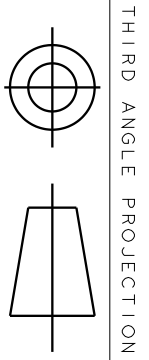
Nameplate Specifications

Output HP	1.5 Hp	Output KW	1.1 kW
Frequency	60 Hz	Voltage	115/230 V
Current	18.4,9.2 A	Speed	3450 rpm
Service Factor	1.3	Phase	1
Efficiency	72 %	Duty	Continuous
Insulation Class	B	Design Code	L
KVA Code	J	Frame	56J
Enclosure	Drip Proof	Overload Protector	AUTO
Ambient Temperature	40 °C	Drive End Bearing Size	6203
Opp Drive End Bearing Size	6203	UL	Recognized
CSA	Yes	CE	N

Technical Specifications

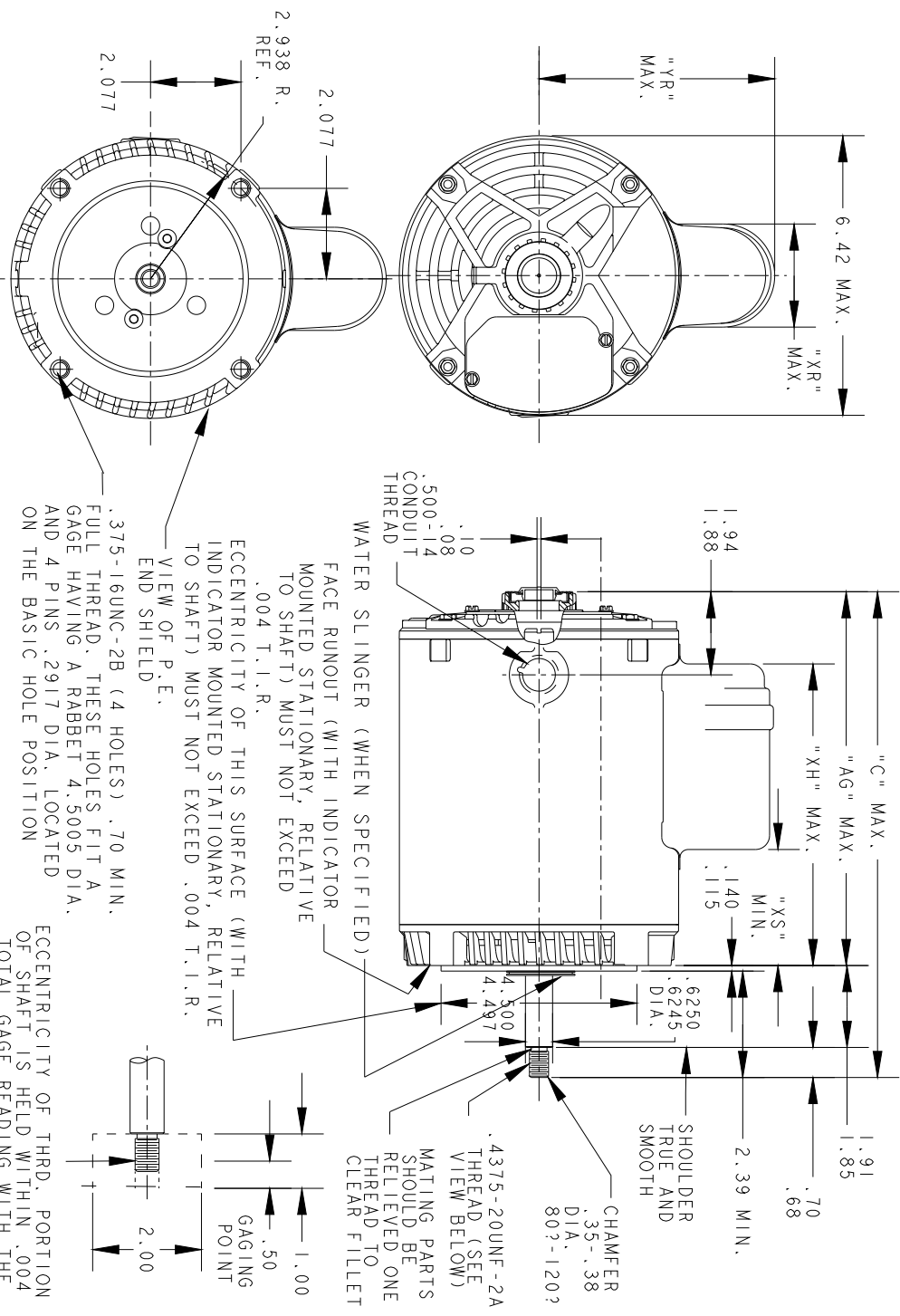
Electrical Type	Capacitor Start Induction Run	Starting Method	SM
Poles	2	Rotation	Clockwise
Mounting	Round	Motor Orientation	ANY
Drive End Bearing	LOCKED	Opp Drive End Bearing	BALL
Frame Material	Rolled Steel	Overall Length	11.89 in
Frame Length	7.15 in	Shaft Diameter	0.63 in
Shaft Extension	2.39 in		
Outline Drawing	52A107695P4	Connection Diagram	52A105384AA

This is an uncontrolled document once printed or downloaded and is subject to change without notice. Date Created: 10/08/2018



THIRD ANGLE PROJECTION

REVISIONS		DATE	APPROVED
REV.	DESCRIPTION	DATE	APPROVED
7	CHG TO RBC FORMAT PER IS05-1777	03/01/06	SUDHA
8	CHANGED AS PER ISAAC 06-0708	03/04/06	POONAM
9	ADDED "WATER SLINGER" PER "IS11-5119"	12/05/2011	KOTI



P	TYPE	GE SIZE	NEMA FR.	"C"	"AG"	"XH"	"YR"	"XR"	"XS"	MIN. SHELL
5	KC	49	56J	11.99	9.36	7.76	5.44	2.40	2.01	7.15
4	KC	49	56J	11.89	9.26	7.66	5.44	2.40	1.91	7.15
3	KC	49	56J	10.89	8.26	6.66	5.44	2.40	2.12	6.15
2	KC	42	56J	10.46	7.83	6.23	5.44	2.40	1.69	5.72
1	KC	46	56J	11.29	8.66	7.06	5.44	2.40	2.52	6.55

SIGNATURES		DATE
MODEL	M.D.P.	06/19/91
DETAIL		
CHECKED		
ENGRG		
MFG		
QUALITY		
ISSUED	M.A.M.	06/14/94
SOLID MODEL:	52A107695	

REGAL-BELOTT CORPORATION

OUTLINE

JET PUMP MOTOR DRIP PROOF - BALL BEARING R2 END MOUNTED FME - 40 FRAME REDESIGN

SCALE: 0.250 REF. No:

52A107695

SHEET 1 of 1

