

PRODUCT INFORMATION PACKET

marathon[®]
Motors

Model No: 5KC49PN0155
Catalog No: C235
1,1800,DP,56,1/60/115/208-230
Open Drip Proof (ODP)



Regal and Marathon are trademarks of Regal Beloit Corporation or one of its affiliated companies.
©2018 Regal Beloit Corporation, All Rights Reserved. MC017097E

REGAL[®]

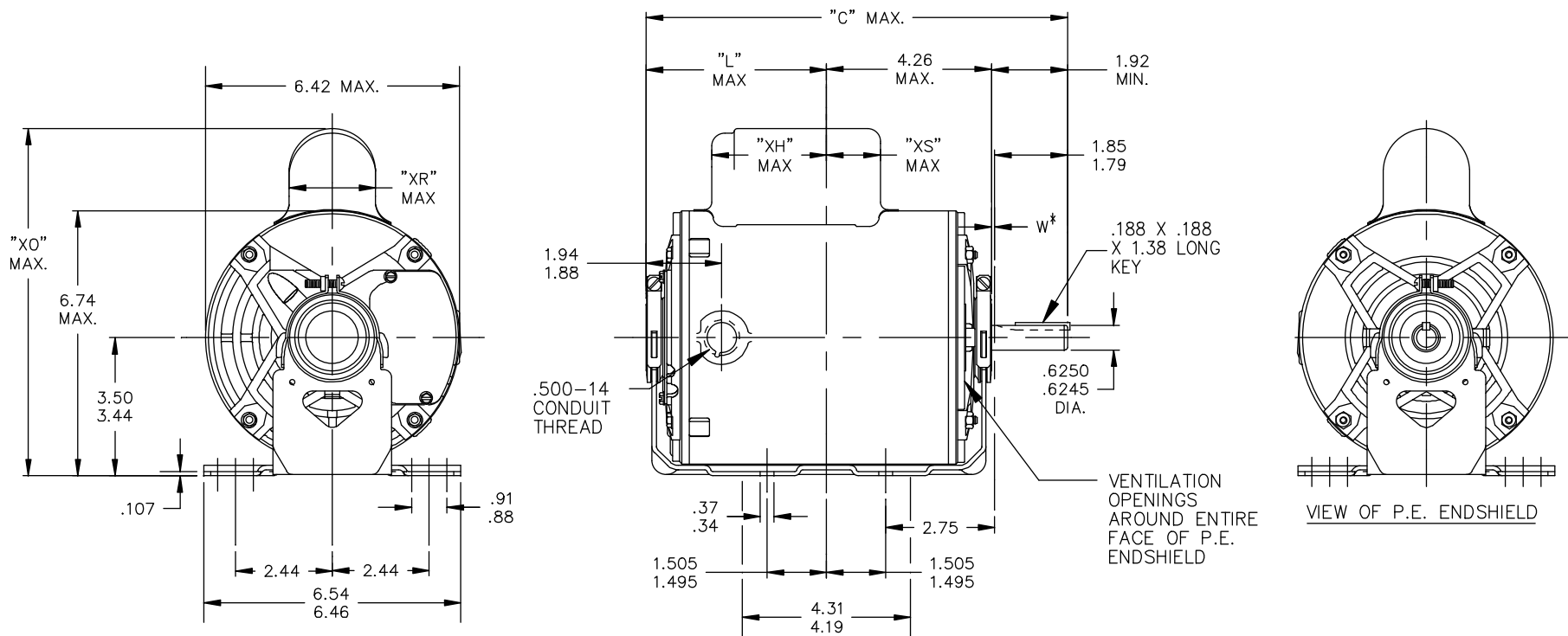
Nameplate Specifications

Output HP	1 Hp	Output KW	0.75 kW
Frequency	60 Hz	Voltage	115/208-230 V
Current	13.6,6.7-6.8 A	Speed	1725 rpm
Service Factor	1.15	Phase	1
Efficiency	68 %	Duty	Continuous
Insulation Class	B	KVA Code	K
Frame	56	Enclosure	Drip Proof
Overload Protector	N/R	Ambient Temperature	40 °C
Drive End Bearing Size	6203	Opp Drive End Bearing Size	6203
UL	Recognized	CSA	Yes
CE	N		

Technical Specifications

Electrical Type	Capacitor Start Induction Run	Starting Method	SM
Poles	4	Rotation	Counterclockwise/Clockwise
Mounting	Resilient Base	Motor Orientation	ANY
Drive End Bearing	BALL	Opp Drive End Bearing	BALL
Frame Material	Rolled Steel	Overall Length	11.38 in
Frame Length	7.15 in	Shaft Diameter	0.63 in
Shaft Extension	1.88 in		
Outline Drawing	52A107622P3	Connection Diagram	52A105381AA

This is an uncontrolled document once printed or downloaded and is subject to change without notice. Date Created: 10/08/2018



CONTINUED ON 52A107799

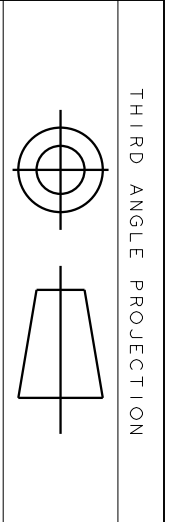
*W IS A VARIABLE CLEARANCE DUE TO VARIATIONS IN PARTS AND ASSEMBLY

ALL DIMENSIONS ARE IN INCHES

8	KC	49	56	11.38	5.22	3.63	8.62	2.08	2.12		7.15
7	KC	46	56	10.78	4.62	2.18	8.94	2.40	2.36		6.55
6	KC	49	56	11.38	5.22	3.63	8.22	1.60	2.12		7.15
5	KC	46	56	10.78	4.62	3.03	8.22	1.60	2.73		6.55
4	KC	42	56	9.95	3.79	2.20	8.22	1.60	2.34		5.72
3	KC	49	56	11.38	5.22	3.63	8.94	2.40	2.12		7.15
2	KC	42	56	9.95	3.79	2.20	8.94	2.40	2.34		5.72
1	KC	46	56	10.78	4.62	3.03	8.94	2.40	2.73		6.55
P	TYPE	FR SIZE	NEMA FR.	"C"	"L"	"XH"	"XO"	"XR"	"XS"		MIN. SHELL

				TOLERANCES UNLESS SPECIFIED		REGAL BELOIT REGAL-BELOIT CORPORATION		DRAWN M.D.P 09/17/90			
				DEC.	INCHES			CHK M.D.P 09/17/90			
				.X	±.1	TITLE		APPD			
				.XX	±.03	OUTLINE		SCALE 3=8			
				.XXX	±.005	GENERAL PURPOSE MOTOR DRIP PROOF		REF			
				.XXXX	±.0005	MAT'L.		FMF			
				ANG	±1/2'	FINISH		PREV			
13	ADDED PART # 8 PER SAMPLE DS13-2295	UD	06/21/13	GRB	.XXX	±.005	CAD FILE 52A107622		SIZE A	DRAWING NO. 52A107622	REV. 13
12	CHG "XS" DIMENSION PER IS08-2395	MD	07/01/08		.XXXX	±.0005	DIST				
NO.	REVISION	BY & DATE	CHK	ANG							

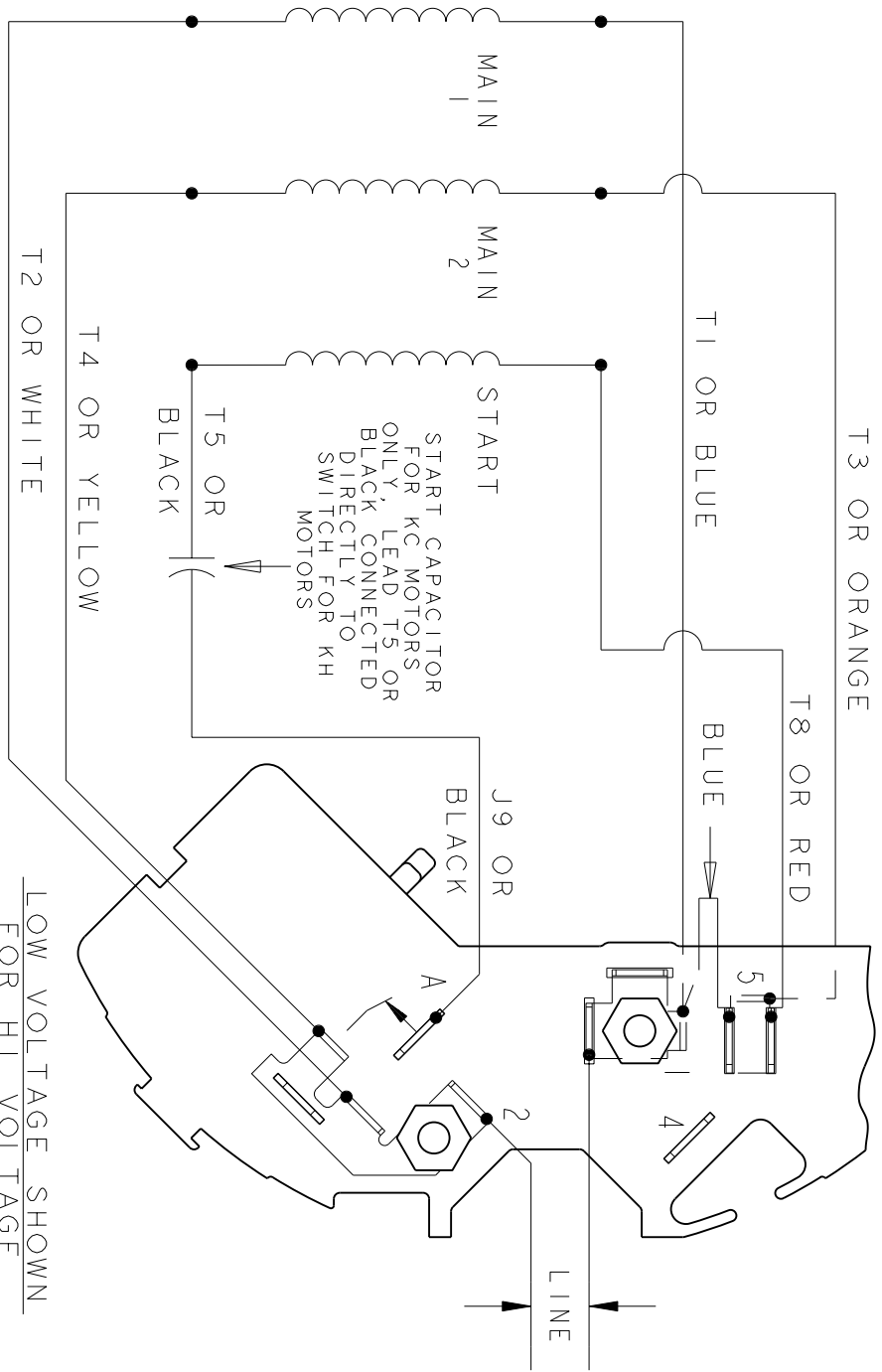
THIS DRAWING IN DESIGN AND DETAIL IS OUR PROPERTY AND MUST NOT BE USED EXCEPT IN CONNECTION WITH OUR WORK ALL RIGHTS OF DESIGN AND INVENTION ARE RESERVED THIS IS AN ELECTRONICALLY GENERATED DOCUMENT - DO NOT SCALE THIS PRINT



THIRD ANGLE PROJECTION

REV.	DESCRIPTION	DATE	APPROVED
2	UPDATED FORMAT	01/04/06	MAM

EITHER ROTATION - DUAL VOLTAGE
TYPE KC OR KH
T3 OR ORANGE



- NOTE #1 - FOR HI VOLTAGE REMOVE BLUE FROM TERMINAL #5 AND PLACE ON TERMINAL #4, REMOVE WHITE (T2) FROM TERMINAL #2 AND PLACE ON TERMINAL #5.
- NOTE #2 - TO REVERSE ROTATION INTERCHANGE RED (T8) AND BLACK (J9-KC OR T5-KH) LEADS.
- NOTE #3 - WHEN MORE THAN ONE CAPACITOR IS USED CONNECT IN PARALLEL.

REF. DIAG. - 121A852

SWITCH (C) - 115D958AB
CONNECTION LABEL - 52X332050

LOW VOLTAGE SHOWN
FOR HI VOLTAGE
SEE NOTE #1

SIGNATURES	DATE
MODEL M.D. PAPE	06/29/87
DETAIL	
CHECKED	
ENGRG	
MFG	
QUALITY	
ISSUED	M.D.P. 06/29/87
APPLIED PRACTICES	
DIMENSIONS ARE IN INCHES	
MATERIAL	SOLID MODEL: 52A105381AA



REGAL-BELOMT CORPORATION

TITLE CONNECTION DIAGRAM

FME: 30 FRAME SWITCH REDESIGN

SIZE DRAWING A	SCALE: 1.000	REF. No.:	SHEET 1 of 1
REV 2			