

PRODUCT INFORMATION PACKET

Model No: 5KC49SN2156X
Catalog No: C855
1.5,3450,TEFC,56C,1/60/115/230
Totally Enclosed Fan Cooled (TEFC)



Regal and Marathon are trademarks of Regal Beloit Corporation or one of its affiliated companies.
©2018 Regal Beloit Corporation, All Rights Reserved. MC017097E



Nameplate Specifications

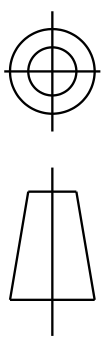
Output HP	1.50 Hp	Output KW	1.1 kW
Frequency	60 Hz	Voltage	115/230 V
Current	16.4,8.2 A	Speed	3450 rpm
Service Factor	1	Phase	1
Efficiency	74 %	Duty	Continuous
Insulation Class	B	KVA Code	H
Frame	56C	Enclosure	Totally Enclosed Fan Cooled
Overload Protector	AUTO	Ambient Temperature	40 °C
Drive End Bearing Size	6203	Opp Drive End Bearing Size	6203
UL	Recognized	CSA	Yes
CE	N		

Technical Specifications

Electrical Type	Capacitor start(CSIR)	Starting Method	SM
Poles	2	Rotation	Counterclockwise/Clockwise
Mounting	Round	Motor Orientation	Any
Drive End Bearing	BALL	Opp Drive End Bearing	BALL
Frame Material	Rolled Steel	Overall Length	12.93 in
Frame Length	7.68 in	Shaft Diameter	0.630 in
Shaft Extension	1.88 in		
Outline Drawing	52A107671P7	Connection Diagram	52A105383BA

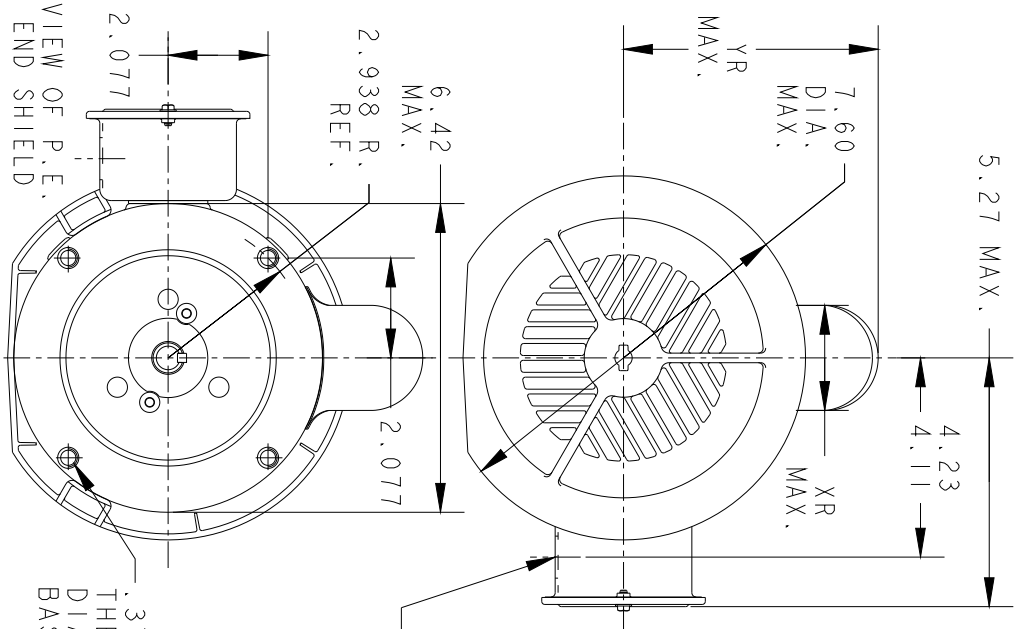
This is an uncontrolled document once printed or downloaded and is subject to change without notice. Date Created: 06/29/2018

THIRD ANGLE PROJECTION



REVISIONS

REV.	DESCRIPTION	DATE	APPROVED
12	CHG TO RBC FORMAT PER IS05-1777	03/01/06	SUDHA



VIEW OF P.E. END SHIELD

375-16 UNC-2B (4 HOLES) .70 MIN. FULL THREAD THESE HOLES FIT A GAGE HAVING A RABBIT 4.5005 DIA. AND 4 PINS .2917 DIA. LOCATED ON THE BASIAC HOLE POSITIONS.

ECCENTRICITY OF THIS SURFACE (WITH INDICATOR MOUNTED STATIONARY RELATIVE TO SHAFT) MUST NOT EXCEED .004 T.I.R.

FACE RUNOUT (WITH INDICATOR MOUNTED STATIONARY RELATIVE TO SHAFT) MUST NOT EXCEED .004 T.I.R.

7	KC	49	56C	12.93	10.81	7.56	5.45	2.22	1.89	7.68
6	KC	49	56C	11.40	9.28	6.03	4.76	1.60	1.57	6.15
5	KC	49	56C	12.44	10.32	7.54	4.72	1.60	1.79	7.15
4	KC	49	56C	12.97	10.85	7.61	5.45	2.40	1.86	7.68
3	KC	46	56C	11.84	9.72	6.94	5.45	2.40	1.19	6.55
2	KC	46	56C	11.84	9.72	6.95	5.34	2.22	2.41	6.55
1	KC	42	56C	11.01	8.89	6.12	5.34	2.22	1.58	5.72
P	TYPE	GE SIZE	NEMA FR.	C	AG	XH	YR	XR	XS	MIN. SHELL

REGAL-BELOTT CORPORATION

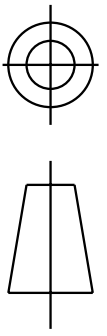
OUTLINE

TITLE

FMF - 40 FRAME REDESIGN GENERAL PURPOSE MOTOR - TEFC - BALL BEARING - R2 END MOUNTED

FOR ADDITIONAL INFO REFER TO:	MFG	ISSUED	M.D. PAPER	05/10/94
APPLIED PRACTICES	QUALITY	ISSUED	M.D. PAPER	05/10/94
DIMENSIONS ARE IN INCHES	QUALITY	ISSUED	M.D. PAPER	05/10/94
MATERIAL	SOLID MODEL: 52A107671			

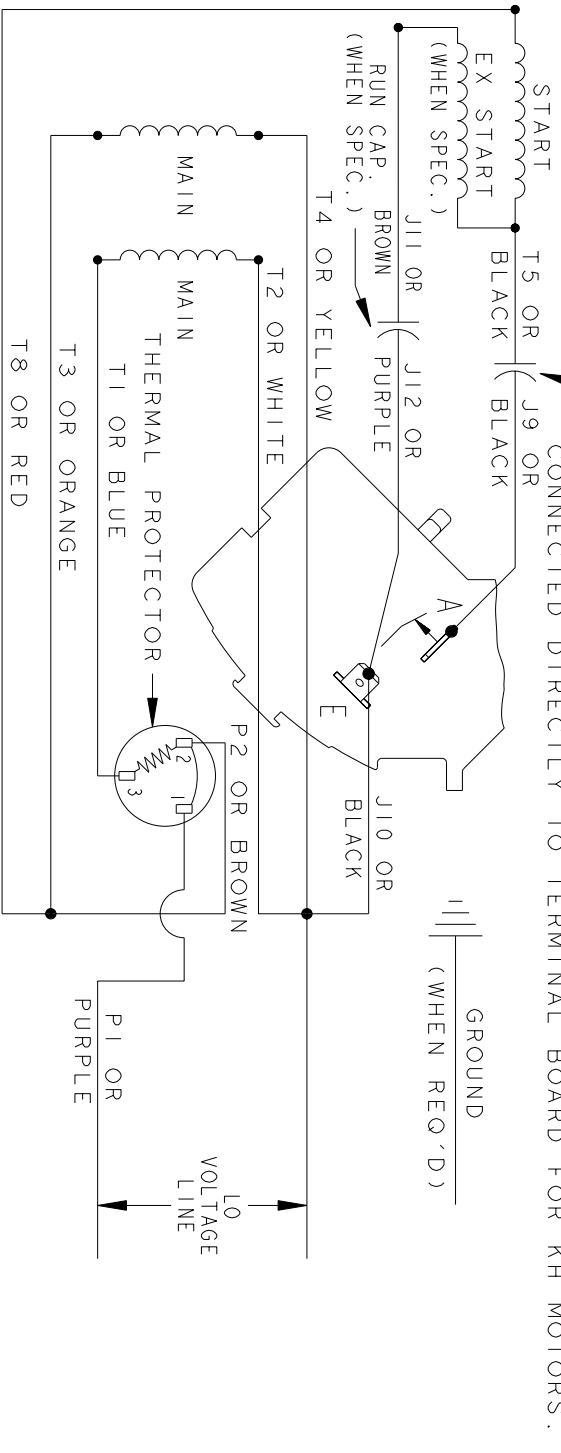
SIGNATURES	DATE	SCALE: 0.250	REF. No:	SHEET 1 of 1
MODEL M.D. PAPER	04/23/91	A		
DETAIL				
CHECKED				
ENGRG				



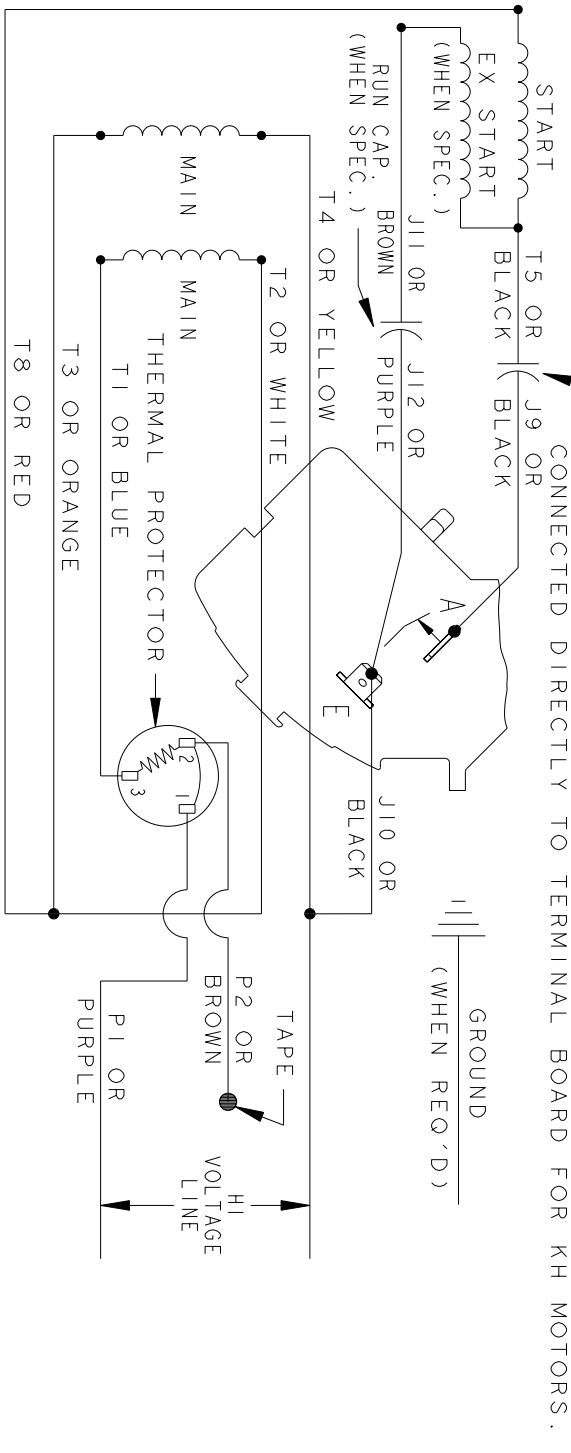
REV.	DESCRIPTION	DATE	APPROVED
7	UPDATED FORMAT	01/05/06	MAM

CCW/CW ROTATION - DUAL VOLTAGE
TYPE KC, KH OR KCR - WITH THERMAL PROTECTOR

CAPACITOR AS SHOWN FOR KC MOTORS ONLY. LEAD T5 BLACK CONNECTED DIRECTLY TO TERMINAL BOARD FOR KH MOTORS.



CAPACITOR AS SHOWN FOR KC MOTORS ONLY. LEAD T5 BLACK CONNECTED DIRECTLY TO TERMINAL BOARD FOR KH MOTORS.



NOTE#1 - TO REVERSE ROTATION, INTERCHANGE T8 RED AND J10 BLACK LEADS.
NOTE#2 - WHEN MORE THAN ONE CAPACITOR IS USED, CONNECT IN PARALLEL.
NOTE#3 - 115D958ABP5 - HIGH CURRENT CONTACTS.

SWITCH (C) - 115D958ABP5, SWITCH (H) - 115D958AA (USE 115D958DA FOR EP)

REF. DIAG. - 113A327, 119A9352 & 52A102102 CONNECTION LABEL - 52X332912

SIGNATURES		DATE	TITLE	
MODEL	M.D.P.	06/29/87	REGAL-BELOIT CORPORATION	
DETAIL			CONNECTION DIAGRAM	
CHECKED			FME: 30 FRAME SWITCH REDESIGN	
ENGRG			52A105383BA	
MFG			SCALE: 1.000	REF. No.:
QUALITY			SHEET 1 of 1	
ISSUED	M.D.P.	12/11/97	REV 7	
APPLIED PRACTICES				
DIMENSIONS ARE IN INCHES				
MATERIAL	SOLID MODEL: 52A105383BA			