

# PRODUCT INFORMATION PACKET

Model No: 5KCP39SNB482S  
Catalog No: P195  
1,1075,OPEN,48Z,1/60/200-230/460  
Condenser Fans



Regal and Marathon are trademarks of Regal Beloit Corporation or one of its affiliated companies.  
©2018 Regal Beloit Corporation, All Rights Reserved. MC017097E



**Nameplate Specifications**

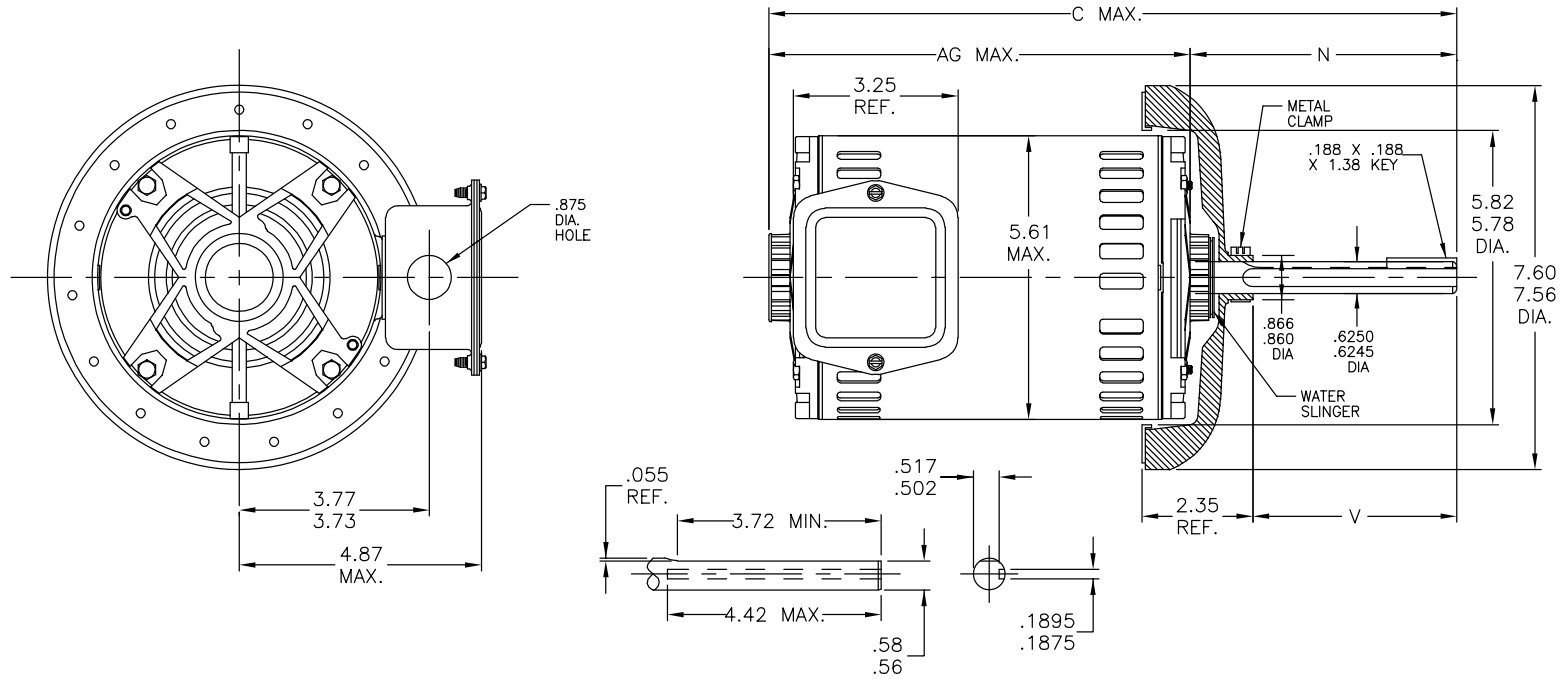
Output HP	<b>1 Hp</b>	Output KW	<b>0.75 kW</b>
Frequency	<b>60 Hz</b>	Voltage	<b>200-230/460 V</b>
Current	<b>5.8-5.6,2.8 A</b>	Speed	<b>1075 rpm</b>
Service Factor	<b>1</b>	Phase	<b>1</b>
Efficiency	<b>67 %</b>	Duty	<b>Continous</b>
Insulation Class	<b>B</b>	KVA Code	<b>A</b>
Frame	<b>48Z</b>	Enclosure	<b>Open Enclosed</b>
Overload Protector	<b>AUTO</b>	Ambient Temperature	<b>60 °C</b>
Drive End Bearing Size	<b>6203</b>	Opp Drive End Bearing Size	<b>6203</b>
UL	<b>Recognized</b>	CSA	<b>Yes</b>
CE	<b>N</b>		

**Technical Specifications**

Electrical Type	<b>Permanent Split Capacitor(PSC)</b>	Starting Method	<b>N/R</b>
Poles	<b>6</b>	Rotation	<b>Clockwise/Counterclockwise</b>
Mounting	<b>Round</b>	Motor Orientation	<b>ANY</b>
Drive End Bearing	<b>BALL</b>	Opp Drive End Bearing	<b>BALL</b>
Frame Material	<b>Rolled Steel</b>	Overall Length	<b>16.05 in</b>
Frame Length	<b>8.5 in</b>	Shaft Diameter	<b>0.63 in</b>
Shaft Extension	<b>5.22 in</b>	Thru-bolts Extension	<b>0</b>
Outline Drawing	<b>52B211501P1</b>	Connection Diagram	<b>119A9424</b>

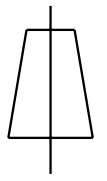
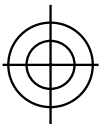
**This is an uncontrolled document once printed or downloaded and is subject to change without notice. Date Created: 10/08/2018**

52B211501



								TOLERANCES UNLESS SPECIFIED		REGAL-BELOIT CORPORATION		DRAWN DURGA 06/07/04	
								DEC.	INCHES			CHK	DURGA 06/07/04
								X	±0.1			APPD	DURGA 06/07/04
								.XX	±0.02	TITLE		SCALE	
								.XXX	±0.005	FROM N - SPECIAL PURPOSE MOTOR PARTS - OPEN - BALL BRG.		REF	
								.XXXX	±0.0005	MAT'L		FMF	
								CHK	ANG ±1	FINISH		PREV	
NO. REVISION								CHK	ANG ±1	CAD FILE		SIZE	
THIS DRAWING IN DESIGN AND DETAIL IS OUR PROPERTY AND MUST NOT BE USED EXCEPT IN CONNECTION WITH OUR WORK ALL RIGHTS OF DESIGN AND INVENTION ARE RESERVED THIS IS AN ELECTRONICALLY GENERATED DOCUMENT - DO NOT SCALE THIS PRINT								REF		52B211501		DRAWING NO.	
								DIST		B		52B211501	
												REV.	
												2	

1	K,KCP	39	48Z	15.87	5.67 5.61	10.21	3.69 3.59	8.50
P	TYPE	RBC SIZE	NEMA FR	C	N	AG	V	SHELL LGTH.



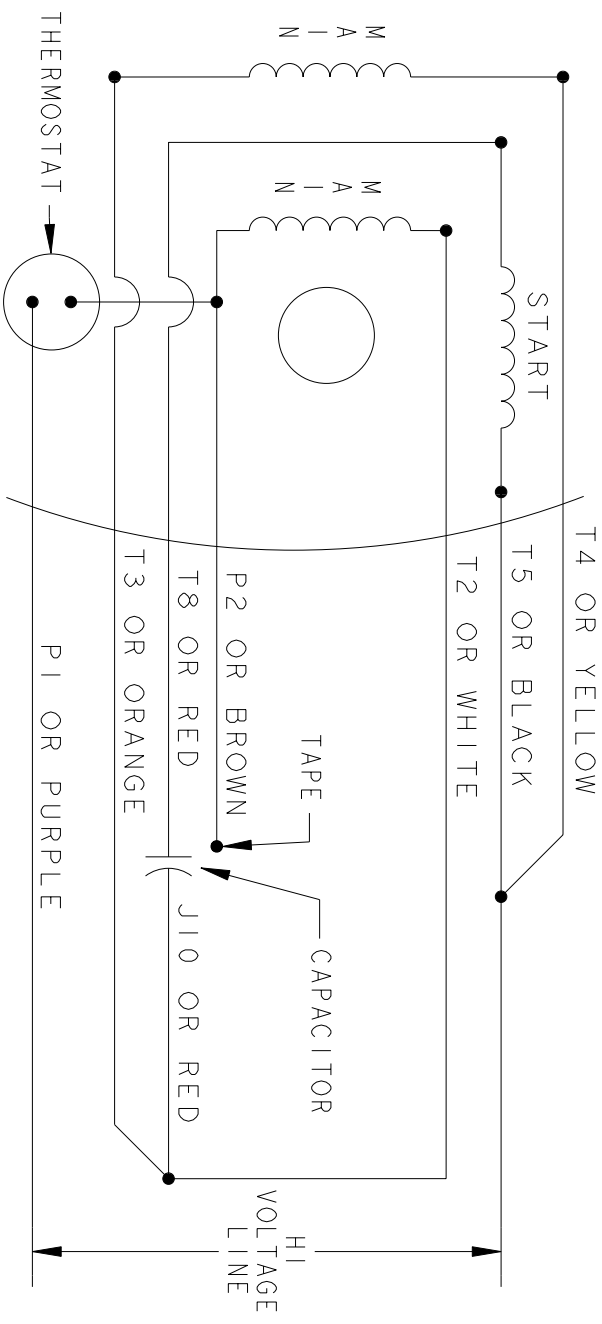
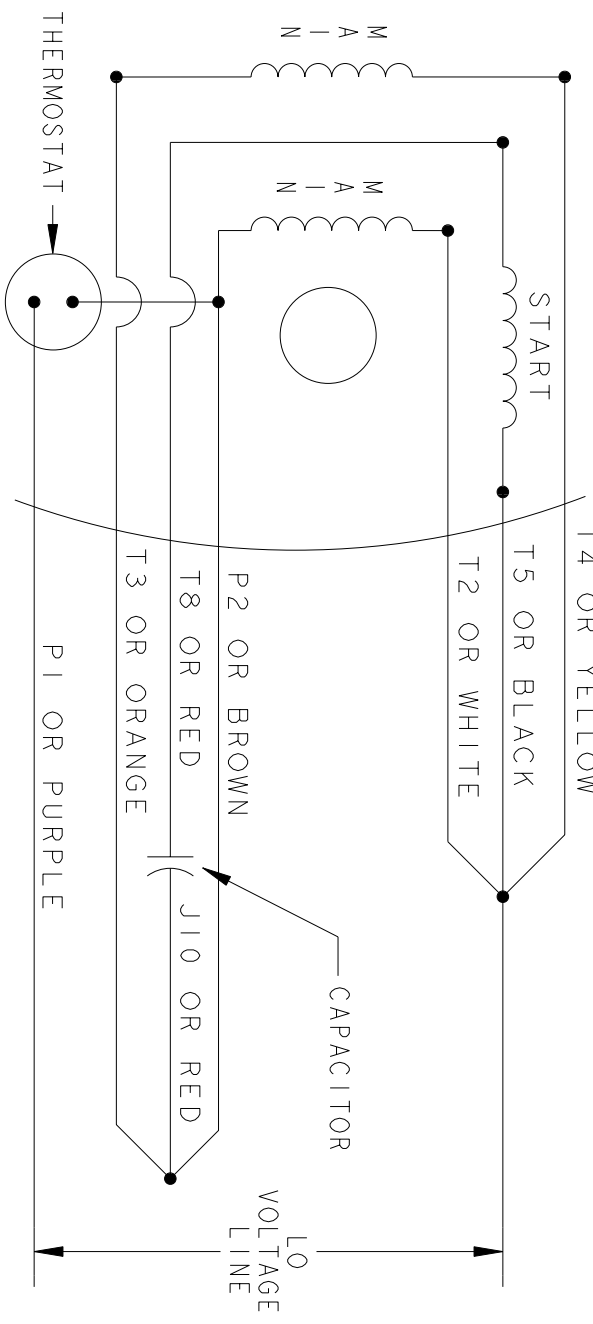
THIRD ANGLE PROJECTION

REVISIONS

REV.	DESCRIPTION	DATE	APPROVED
3	CHG TO RBC FORMAT PER ISO5-11777	06/29/06	MADHU

CCW/CW ROTATION - DUAL VOLTAGE

TYPE KCP WITH THERMOSTAT



NOTE #1 - TO REVERSE ROTATION, INTERCHANGE T8 RED AND T5 BLACK LEADS.  
 NOTE #2 - WHEN MORE THAN ONE CAPACITOR IS USED, CONNECT IN PARALLEL.

REF. DIAG. - NONE CONNECTION LABEL-52X333162AA

SIGNATURES	DATE
MODEL J.R.M.	03/23/02
DETAIL	
CHECKED	
ENGRG	
MFG	
FOR ADDITIONAL INFO REFER TO:	
APPLIED PRACTICES	QUALITY
DIMENSIONS ARE IN INCHES	ISSUED
MATERIAL	SOLID MODEL: 119A9424



REGAL-BELOIT CORPORATION

CONNECTION DIAGRAM

FME - 5KCP47TG78T

TITLE	SIZE	DRAWING	SCALE: 1.000	REF. No.:	SHEET 1 of 1
	A				