

PRODUCT INFORMATION PACKET

Model No: 5KCP49PN9812S
Catalog No: P245
1/2,825,DP,56Z,1/60/208-230
Condenser Fans



Regal and Marathon are trademarks of Regal Beloit Corporation or one of its affiliated companies.
©2018 Regal Beloit Corporation, All Rights Reserved. MC017097E

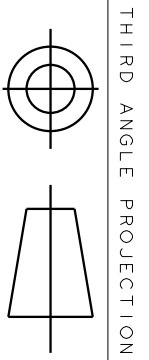
Nameplate Specifications

Output HP	1/2 Hp	Output KW	0.37 kW
Frequency	60 Hz	Voltage	115/208-230 V
Current	6.2,3.8-3.1 A	Speed	825 rpm
Service Factor	1	Phase	1
Efficiency	57.5 %	Duty	Continuous
Insulation Class	B	KVA Code	G
Frame	56Z	Enclosure	Drip Proof
Overload Protector	AUTO	Ambient Temperature	40 °C
Drive End Bearing Size	6203	Opp Drive End Bearing Size	6203
UL	Recognized	CSA	Yes
CE	N		

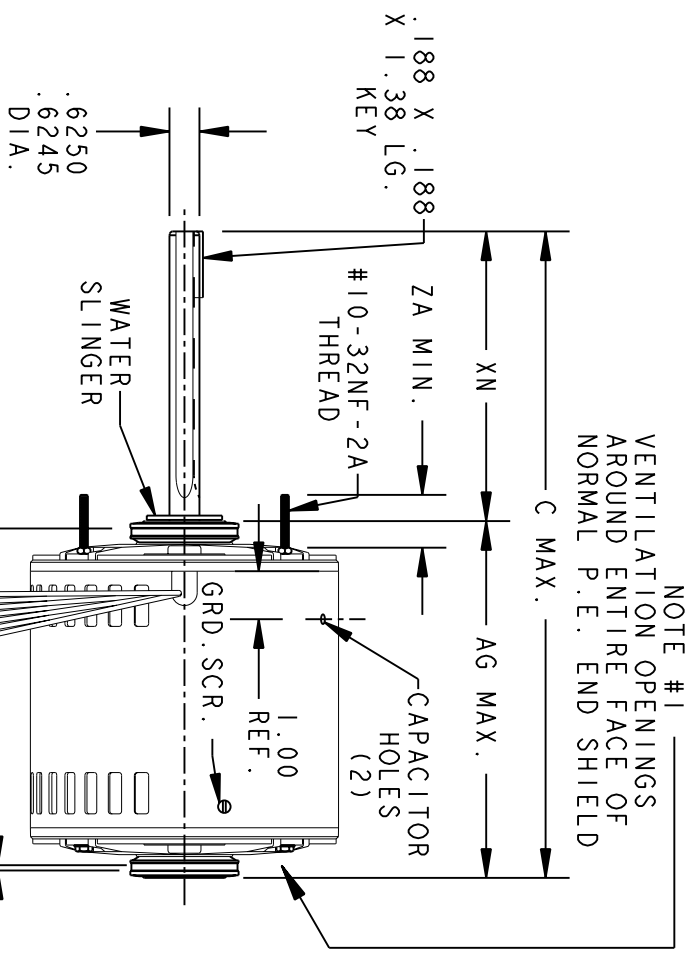
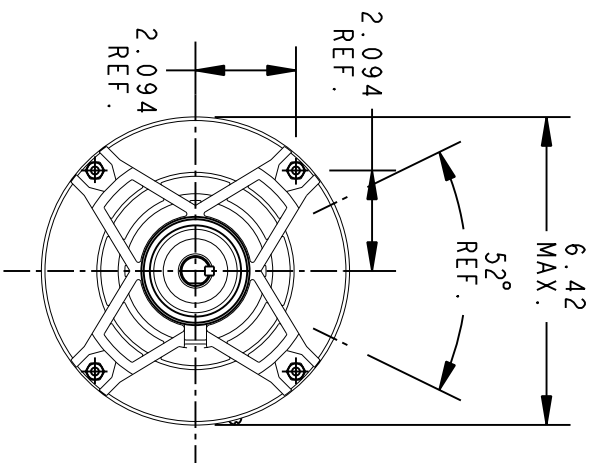
Technical Specifications

Electrical Type	Permanent Split Capacitor(PSC)	Starting Method	N/R
Poles	8	Rotation	Counterclockwise/Clockwise
Mounting	Resilient Rings	Motor Orientation	ANY
Drive End Bearing	BALL	Opp Drive End Bearing	BALL
Frame Material	Rolled Steel	Overall Length	13.66 in
Frame Length	5.34 in	Shaft Diameter	0.63 in
Shaft Extension	6 in	Thru-bolts Extension	0
Outline Drawing	52A109649P1	Connection Diagram	154A2455

This is an uncontrolled document once printed or downloaded and is subject to change without notice. Date Created: 10/08/2018

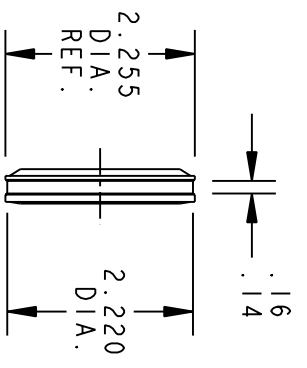


REV.	DESCRIPTION	DATE	APPROVED
5	CHG TO RBC FORMAT PER IS05-1777	03/22/06	SUDHA



NOTE #1
VENTILATION OPENINGS
AROUND ENTIRE FACE OF
NORMAL P.E. END SHIELD

ENLARGED
VIEW OF
SHAFT
EXTENSION



ZB NO. OF LEADS
51 "/49" LONG
WITH .62 BWS

RECOMMENDED
BASE
THICKNESS

P	TYPE	GE SIZE	NEMA FR	XN	C	AG	ZA	SHELL LG.	ZB	YO
5	KCP	49	56Z	6.07/6.00	17.31	11.24	1.00	8.99	7(DUAL VOLT)	10.98/10.77
4	KCP	49	56Z	6.07/6.00	14.47	8.40	1.00	6.15	5(SING. VOLT)	8.14/7.93
3	KCP	46	56Z	6.07/6.00	14.87	8.80	1.00	6.55	7(DUAL VOLT)	8.54/8.33
2	KCP	49	56Z	6.07/6.00	14.47	8.40	1.00	6.15	7(DUAL VOLT)	8.14/7.93
1	KCP	49	56Z	6.07/6.00	13.66	7.59	1.00	5.34	7(DUAL VOLT)	7.33/7.12

SIGNATURES		DATE
MODEL	M.D. PAPER	07/14/94
DETAIL		
CHECKED		
ENGRG		
MFG		
QUALITY		
ISSUED	M.D. PAPER	09/20/94
SOLID MODEL: 52A109649		

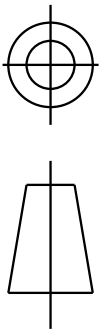


REGAL-BELOTT CORPORATION

TITLE OUTLINE

40 FR. REDESIGN - SPECIAL PURPOSE MOTOR -
TENV (SE)- DRIP PROOF (PE) - BALL BEARING

SCALE: 0.250	REF. No.:	SHEET 1 of 1
SIZE: DRAWING A	REV 5	

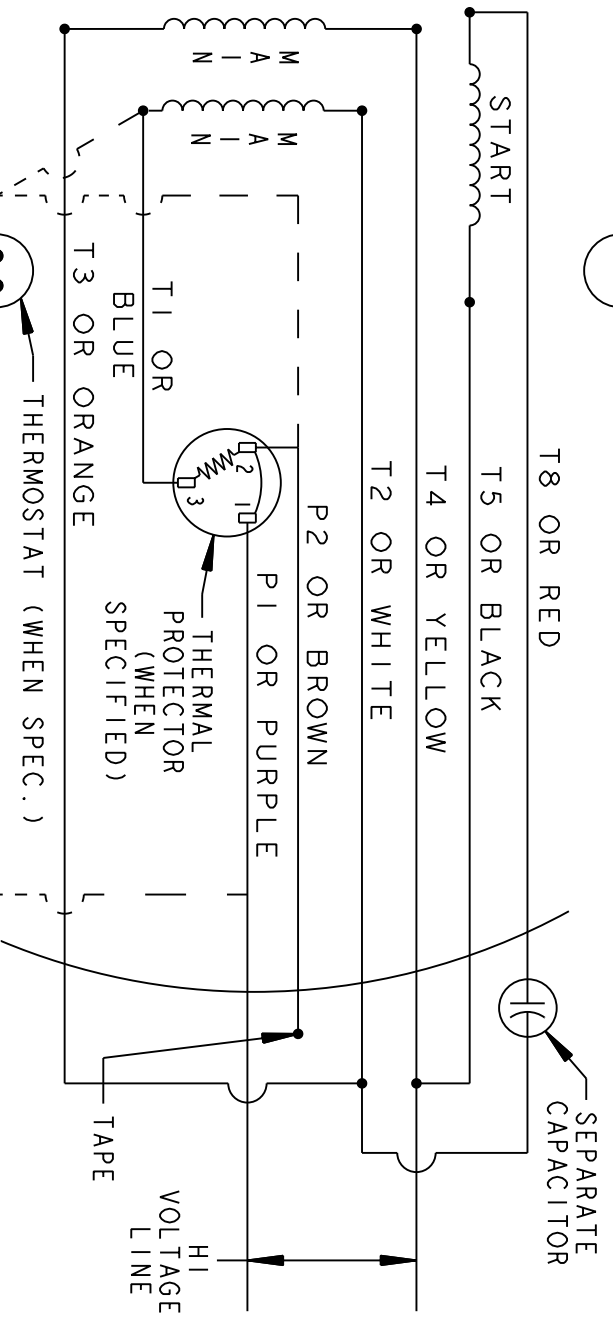
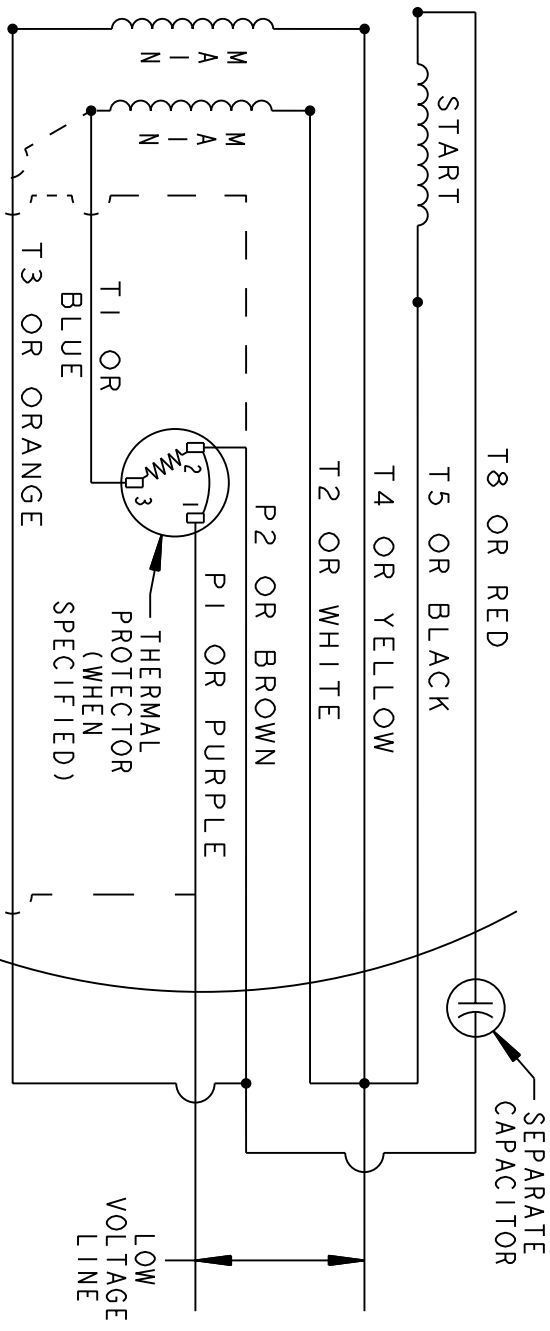


THIRD ANGLE PROJECTION

REVISIONS

REV.	DESCRIPTION	DATE	APPROVED
5	CHG TO RBC FORMAT PER ISO5-11777	05/22/06	DURGA

CCW/CW ROTATION - DUAL VOLTAGE - TYPE KCP WITH PROTECTOR



NOTE #1 - WHEN MORE THAN ONE CAPACITOR IS USED, CONNECT IN PARALLEL.
 NOTE #2 - TO REVERSE ROTATION INTERCHANGE RED (OR T8) AND BLACK (OR T5) LEADS.

CONNECTION LABEL - NP271649

SIGNATURES	DATE
MODEL R.R.F.	03/02/11
DETAIL	
CHECKED	
ENGRG	
MFG	
FOR ADDITIONAL INFO REFER TO:	
APPLIED PRACTICES	QUALITY
DIMENSIONS ARE IN INCHES	ISSUED
MATERIAL	M.D. PAPER
	06/20/00
	SOLID MODEL: 154A2455



REGAL-BELOIT CORPORATION

CONNECTION DIAGRAM
 FMF - SKCP37JG450X

SCALE: 1.000	REF. No.:	SHEET 1 of 1
SIZE: DRAWING A		
154A2455		REV 5