

# PRODUCT INFORMATION PACKET

**marathon**<sup>®</sup>  
Motors

Model No: 5KCP49UN9837S  
Catalog No: F780  
1/2,850,TENV,56Y,1/60/208-230  
Single Phase



Regal and Marathon are trademarks of Regal Beloit Corporation or one of its affiliated companies.  
©2018 Regal Beloit Corporation, All Rights Reserved. MC017097E

**REGAL**<sup>®</sup>



### Nameplate Specifications

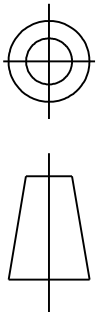
Output HP	<b>0.50 Hp</b>	Output KW	<b>0.37 kW</b>
Frequency	<b>60 Hz</b>	Voltage	<b>208-230 V</b>
Current	<b>3.7-3.6 A</b>	Speed	<b>850 rpm</b>
Service Factor	<b>1</b>	Phase	<b>1</b>
Efficiency	<b>60.7 %</b>	Duty	<b>Continuous</b>
Insulation Class	<b>B</b>	KVA Code	<b>C</b>
Frame	<b>56Y</b>	Enclosure	<b>Totally Enclosed Non Ventilated</b>
Overload Protector	<b>AUTO</b>	Ambient Temperature	<b>40 °C</b>
Drive End Bearing Size	<b>6203</b>	Opp Drive End Bearing Size	<b>6203</b>
UL	<b>Recognized</b>	CSA	<b>Yes</b>
CE	<b>N</b>		

### Technical Specifications

Electrical Type	<b>Permanent Split Capacitor(PSC)</b>	Starting Method	<b>N/R</b>
Poles	<b>8</b>	Rotation	<b>Counterclockwise</b>
Mounting	<b>Round</b>	Motor Orientation	<b>Any</b>
Drive End Bearing	<b>BALL</b>	Opp Drive End Bearing	<b>BALL</b>
Frame Material	<b>Rolled Steel</b>	Overall Length	<b>11.91 in</b>
Frame Length	<b>7.68 in</b>	Shaft Diameter	<b>0.630 in</b>
Shaft Extension	<b>1.88 in</b>		
Outline Drawing	<b>52A107893P1</b>	Connection Diagram	<b>113A377</b>

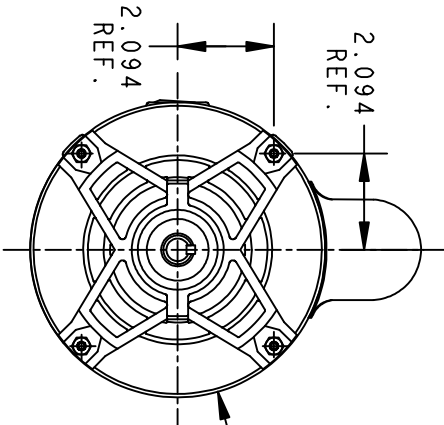
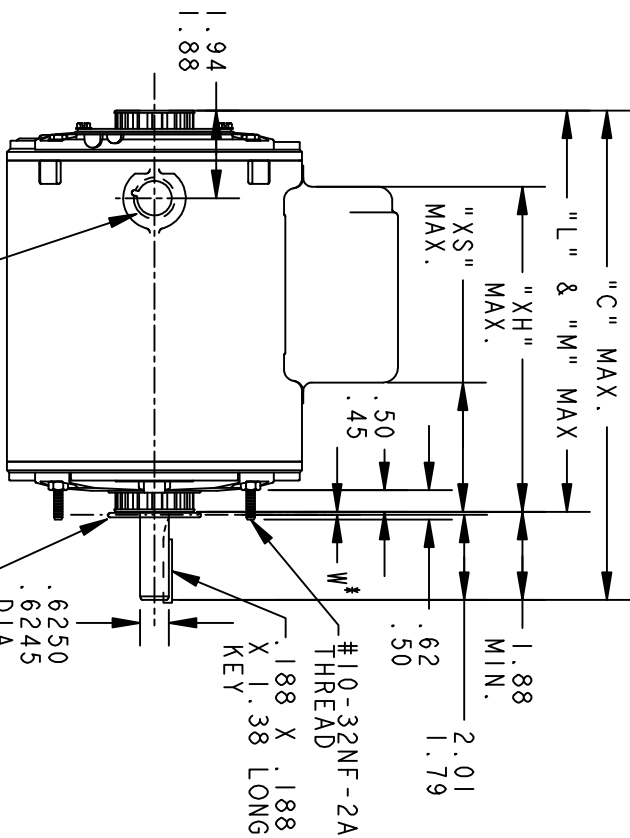
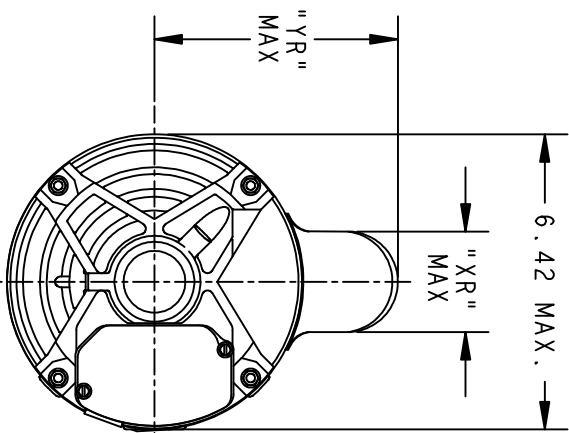
This is an uncontrolled document once printed or downloaded and is subject to change without notice. Date Created: 07/02/2018

THIRD ANGLE PROJECTION



REVISIONS

REV.	DESCRIPTION	DATE	APPROVED
2	CLAMP SCREW EXT. CHANGED PER IS10-4432.	11/08/10	KARTHIK



VIEW OF P.E. END SHIELD

\* W IS A VARIABLE CLEARANCE DUE TO VARIATIONS IN PARTS AND ASSEMBLY

ALL DIMENSIONS ARE IN INCHES

P	TYPE	GE SIZE	NEMA FR.	"C"	L&M	"XH"	"YR"	"XR"	"XS"	MIN. SHELL
1	KCP	49	56	11.91	10.01	8.27	4.68	2.15	2.57	7.68

SIGNATURES			DATE
MODEL	M.M.E.		02/24/94
DETAIL			
CHECKED			
ENGRG			
MFG			

**REGAL-BELOIT CORPORATION**

**OUTLINE**

**GENERAL PURPOSE MOTOR TENV - BALL BEARING**

**EXTENDED CLAMP SCREWS FMF - 40 FRAME REDESIGN SKCP49UN8065**

FOR ADDITIONAL INFO REFER TO:		
APPLIED PRACTICES	QUALITY	
DIMENSIONS ARE IN INCHES	ISSUED	M.M.E. 02/24/94
MATERIAL	SOLID MODEL:	52A107893

TITLE

SCALE: 0.250 REF. No. .

SIZE A DRAWING

52A107893

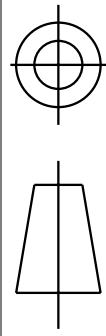
REV 2

SHEET 1 of 1

REVISIONS

This document is the property of REGAL-BELOIT CORPORATION ("RBC") including its subsidiaries and divisions and contains proprietary information of RBC. This document is loaned on the express condition that neither the recipient nor any other person shall disclose or disseminate the information contained herein and shall be deemed to have agreed to return the document to RBC upon request. This document shall be returned to RBC upon its request. This document may be subject to certain restrictions under U.S. export control laws and regulations.

REV.	DESCRIPTION	DATE	APPROVED
11	RETRACED ON CAD, NO CHGS.	11/20/98	M.D. PAPE
12	CHG TO RBC FORMAT PER IS05-1777	06/13/06	SUDHA

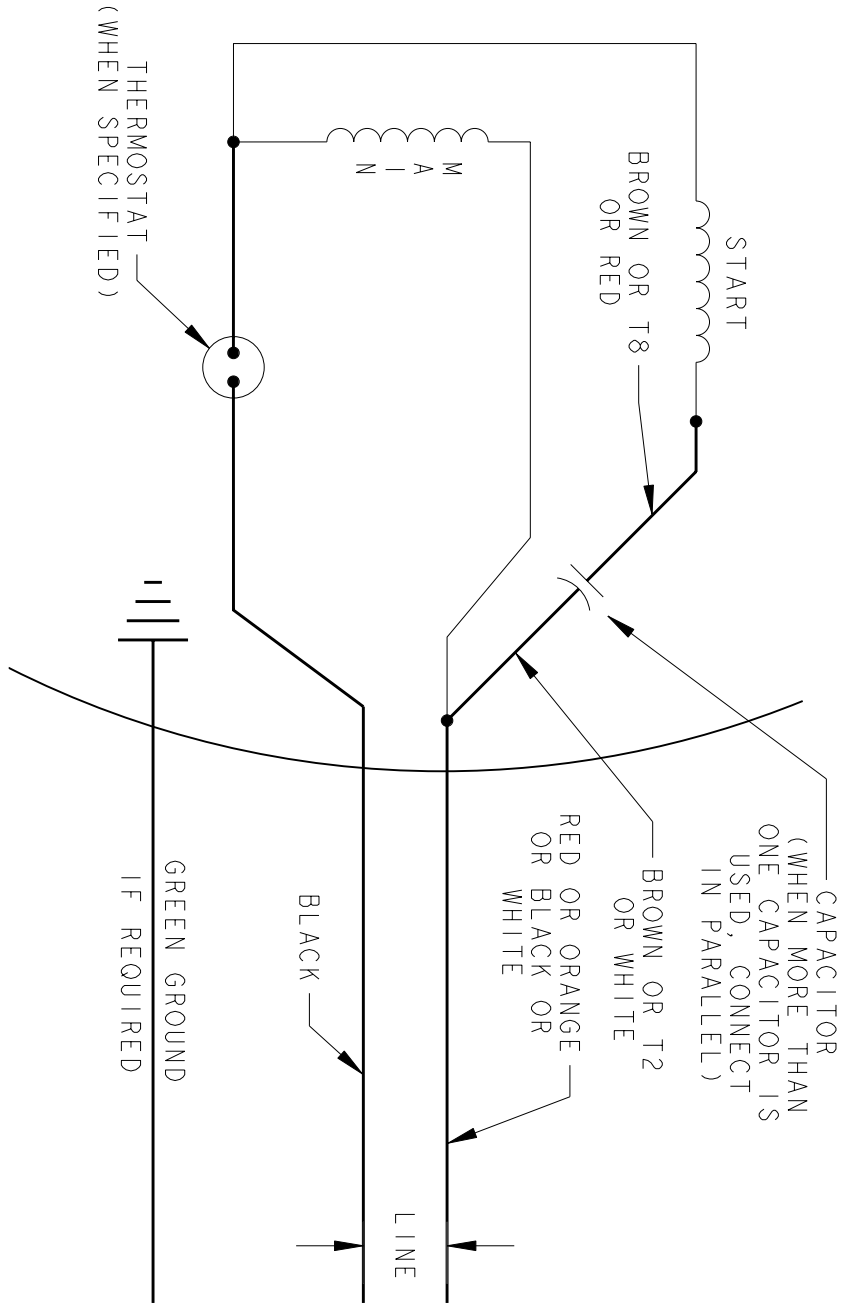


THIRD ANGLE PROJECTION


113A377 12

DRAWING NO. A

SET ROTATION - SINGLE VOLTAGE - TYPE KCP



FOR ADDITIONAL INFO REFER TO:	SIGNATURES	DATE
APPLIED PRACTICES	MODEL D.E. MORRIS	02/21/55
DIMENSIONS ARE IN INCHES	DETAIL	.
TOLERANCE ON:	CHECKED	.
1 PL DECIMALS ± 0.1	ENGRG	.
2 PL DECIMALS ± 0.02	MFG	.
3 PL DECIMALS ± 0.005	QUALITY	.
ANGLES ± 1.0	ISSUED	11/20/98
FINISH	M.D. PAPE	
MATERIAL	SOLID MODEL: 113A377	


  
**REGAL-BELOIT CORPORATION**

**CONNECTION DIAGRAM**

TITLE: .  
 SIZE: DRAWING A  
 SCALE: 1.000 REF. No.: .  
**113A377** REV 12  
 SHEET 1 of 1