

PRODUCT INFORMATION PACKET

Model No: 5KCP49UN9838S
Catalog No: F781
1/2,850,TENV,56Y,1/60/208-230
Single Phase



Regal and Marathon are trademarks of Regal Beloit Corporation or one of its affiliated companies.
©2018 Regal Beloit Corporation, All Rights Reserved. MC017097E



Nameplate Specifications

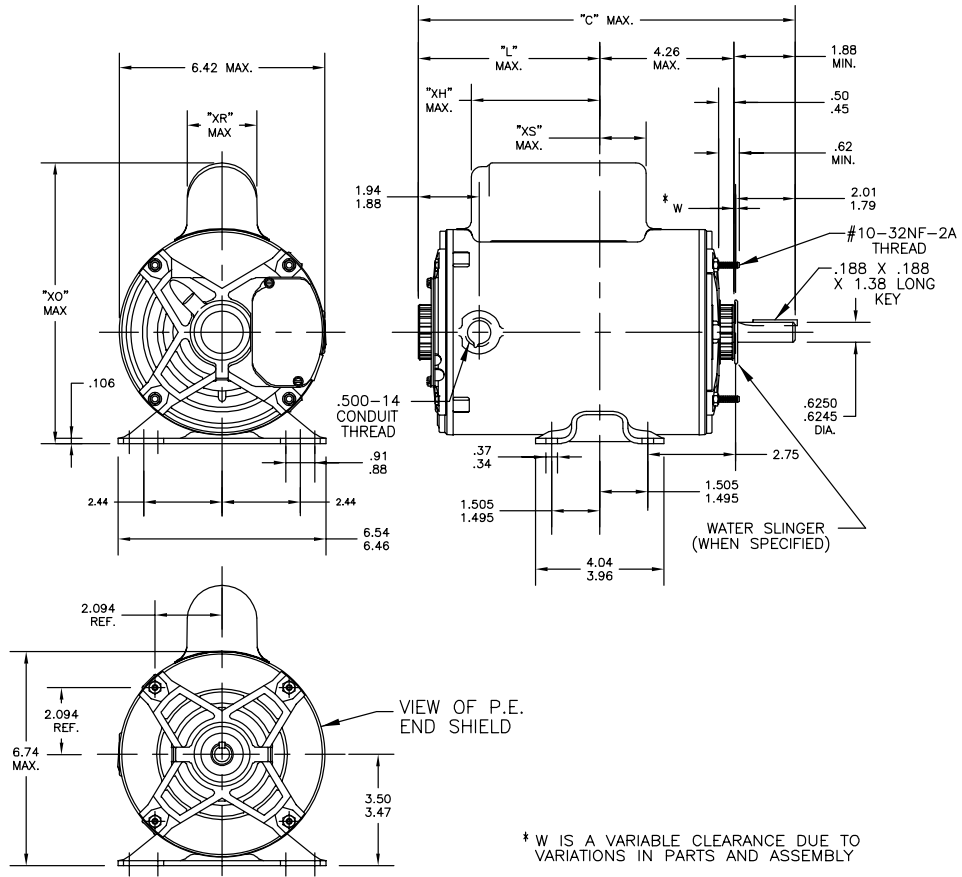
Output HP	0.50 Hp	Output KW	0.37 kW
Frequency	60 Hz	Voltage	208-230 V
Current	3.7-3.6 A	Speed	850 rpm
Service Factor	1	Phase	1
Efficiency	57.5 %	Duty	Continuous
Insulation Class	B	KVA Code	C
Frame	56Y	Enclosure	Totally Enclosed Non Ventilated
Overload Protector	AUTO	Ambient Temperature	40 °C
Drive End Bearing Size	6203	Opp Drive End Bearing Size	6203
UL	Recognized	CSA	Yes
CE	N		

Technical Specifications

Electrical Type	Permanent Split Capacitor(PSC)	Starting Method	N/R
Poles	8	Rotation	Counterclockwise
Mounting	Rigid base	Motor Orientation	Any
Drive End Bearing	BALL	Opp Drive End Bearing	BALL
Frame Material	Rolled Steel	Overall Length	11.91 in
Frame Length	7.68 in	Shaft Diameter	0.630 in
Shaft Extension	1.88 in		
Outline Drawing	52A110642P1	Connection Diagram	113A377

This is an uncontrolled document once printed or downloaded and is subject to change without notice. Date Created: 07/02/2018

52A110642



* W IS A VARIABLE CLEARANCE DUE TO VARIATIONS IN PARTS AND ASSEMBLY

ALL DIMENSIONS ARE IN INCHES

1	KCP	49	56	11.91	5.75	4.15	8.18	2.15	1.60		7.68
P	TYPE	RBC SIZE	NEMA FR.	"C"	"L"	"XH"	"XO"	"XR"	"XS"		MIN. SHELL

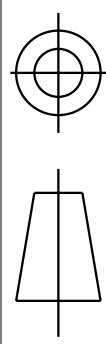
			TOLERANCES UNLESS SPECIFIED		REGAL-BELOIT CORPORATION			DRAWN M.D.PAPE04/06/01		
			DEC.	INCHES				CHK		
			.X	±0.1	TITLE			APPD DS 09/4/2014		
B	REPLACED GE WITH RBC PER ECO-0059212	JAH 09/4/2014	DS	.XXX	±0.005	OUTLINE			SCALE 1=1	
1	CHG TO RBC FORMAT PER ISO5-1777	SUD 04/24/06	SUD	.XXXX	±0.0005	GENERAL PURPOSE MOTOR TENV - BALL			REF	
NO.	REVISION	BY & DATE	CHK	ANG	±1.0	MAT'L.			FMF	
			RFP	CAD FILE			52A110642	SIZE	DRAWING NO.	REV.
			DIST				A	52A110642	B	

THIS DRAWING IN DESIGN AND DETAIL IS OUR PROPERTY AND MUST NOT BE USED EXCEPT IN CONNECTION WITH OUR WORK ALL RIGHTS OF DESIGN AND INVENTION ARE RESERVED THIS IS AN ELECTRONICALLY GENERATED DOCUMENT - DO NOT SCALE THIS PRINT

REVISIONS

This document is the property of REGAL-BELOIT CORPORATION ("RBC") including its subsidiaries and divisions and contains proprietary information of RBC. This document is loaned on the express condition that neither the recipient nor any other person shall disclose or disseminate the information contained herein and shall be deemed to have agreed to return the information to RBC upon request. This document shall be returned to RBC upon its request. This document may be subject to certain restrictions under U.S. export control laws and regulations.

REV.	DESCRIPTION	DATE	APPROVED
11	RETRACED ON CAD, NO CHGS.	11/20/98	M.D. PAPE
12	CHG TO RBC FORMAT PER IS05-1777	06/13/06	SUDHA

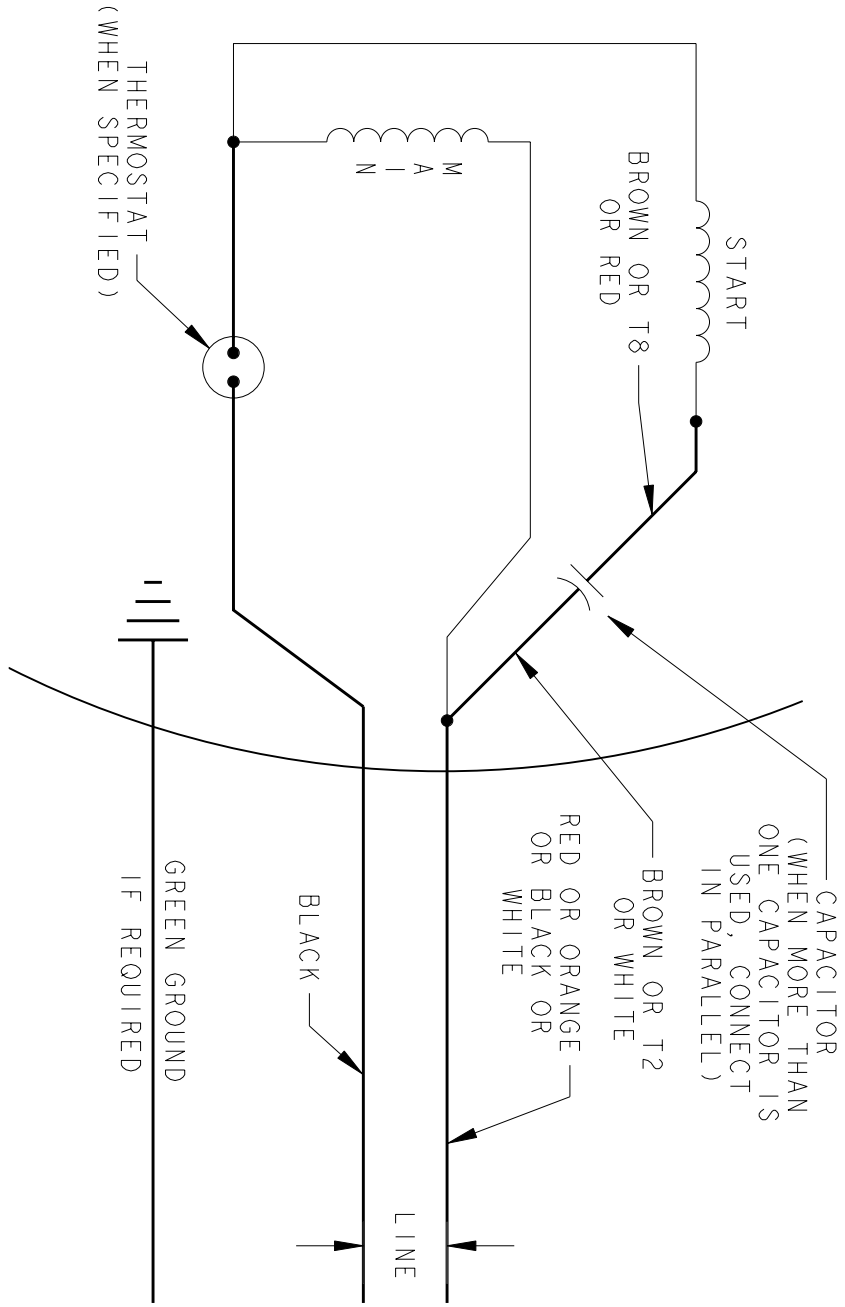


THIRD ANGLE PROJECTION

113A377 12

SIZE DRAWING NO. A

SET ROTATION - SINGLE VOLTAGE - TYPE KCP



FOR ADDITIONAL INFO REFER TO:		SIGNATURES		DATE	
APPLIED PRACTICES		MODEL	D. E. MORRIS	02/21/55	
DIMENSIONS ARE IN INCHES					
TOLERANCE ON:					
1 PL DECIMALS ± 0.1					
2 PL DECIMALS ± 0.02					
3 PL DECIMALS ± 0.005					
ANGLES ± 1.0					
FRACTIONS ±					
FINISH ✓					
MATERIAL		ISSUED		M.D. PAPE	
		QUALITY		11/20/98	
		SOLID MODEL: 113A377			



REGAL-BELOIT CORPORATION

CONNECTION DIAGRAM

TITLE		SCALE: 1.000		REF. No.:	
SIZE DRAWING		A			
113A377		REV		12	
SHEET 1 of 1					