

PRODUCT INFORMATION PACKET

Model No: 5KCR48TN2650Y
Catalog No: 9035
2,3450,DP,56,1/60/115/230
Air Compressor



Regal and Marathon are trademarks of Regal Beloit Corporation or one of its affiliated companies.
©2018 Regal Beloit Corporation, All Rights Reserved. MC017097E





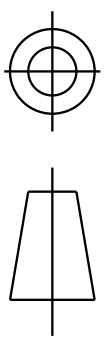
Nameplate Specifications

Output HP	2 Hp	Output KW	1.5 kW
Frequency	60 Hz	Voltage	115/230 V
Current	15.0,7.5 A	Speed	3450 rpm
Service Factor	1	Phase	1
Efficiency	79.1 %	Duty	Continuous
Insulation Class	B	KVA Code	G
Frame	56	Enclosure	Drip Proof
Overload Protector	MAN	Ambient Temperature	40 °C
Drive End Bearing Size	6203	Opp Drive End Bearing Size	6203
UL	Recognized	CSA	Yes
CE	N		

Technical Specifications

Electrical Type	Capacitor Start Capacitor Run(CSCR)	Starting Method	SM
Poles	2	Rotation	Clockwise/Counterclockwise
Mounting	Rigid base	Motor Orientation	Any
Drive End Bearing	BALL	Opp Drive End Bearing	BALL
Frame Material	Rolled Steel	Overall Length	12.76 in
Frame Length	8.43 in	Shaft Diameter	0.630 in
Shaft Extension	1.88 in		
Outline Drawing	52A107782P8	Connection Diagram	52A105383AB

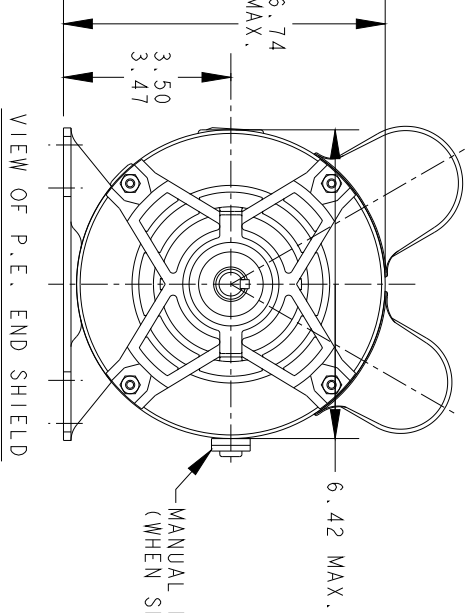
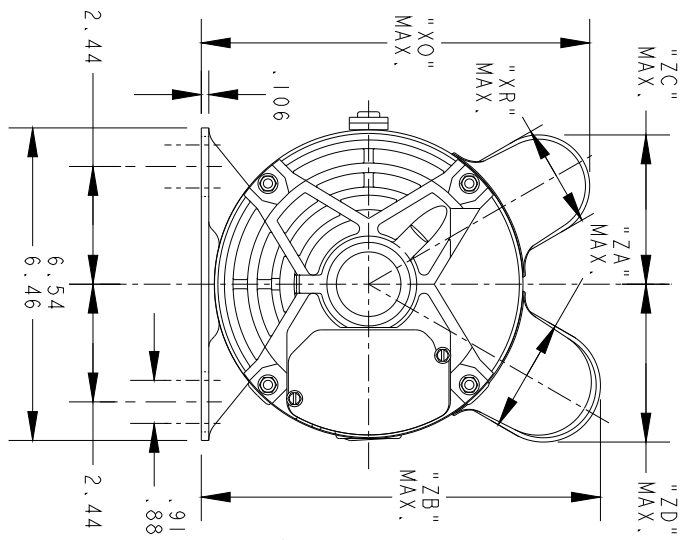
This is an uncontrolled document once printed or downloaded and is subject to change without notice. Date Created: 07/02/2018



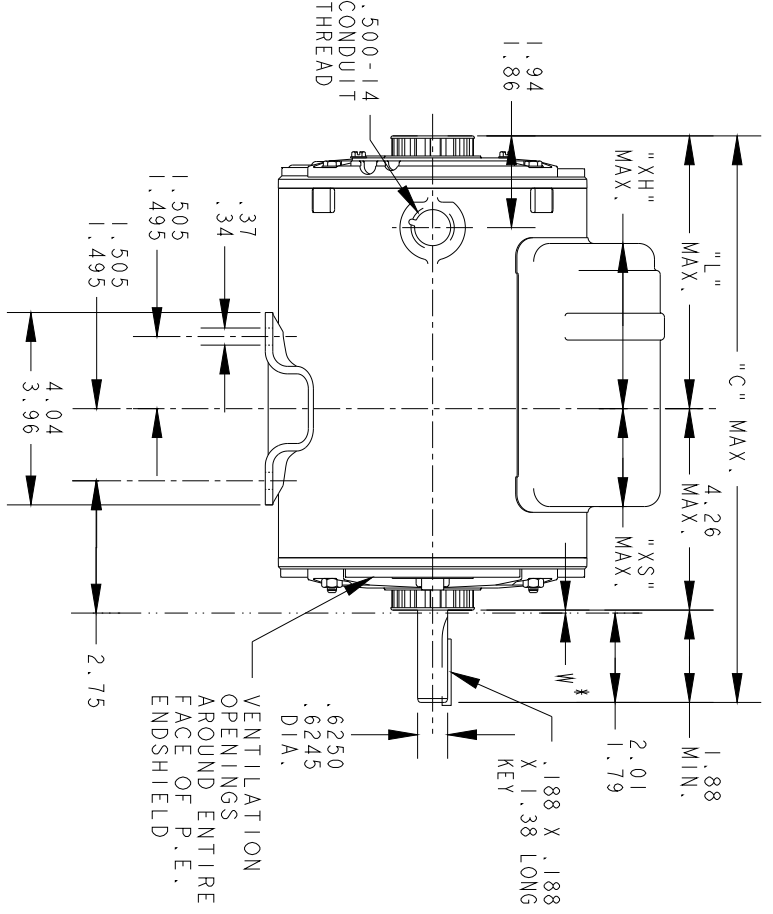
THIRD ANGLE PROJECTION

REVISIONS

REV.	DESCRIPTION	DATE	APPROVED
15	CHD. PT#11 PER START CAP. CHD.	07/19/12	KARTHIK
16	REPRESENTED O/L IN SIDE VIEWS AND CHANGED PART #11 DIM'S PER SAMPLE DS12-3611	08/22/12	RAJESH



VIEW OF P.E. END SHIELD



* W IS A VARIABLE CLEARANCE DUE TO VARIATIONS IN PARTS AND ASSEMBLY

NOTE: PARTS ARE ADDED IN SHEET 2

SIGNATURES		DATE
MODEL	M.D.PAPE	03/02/92
DETAIL		
CHECKED		
ENGRG		
MFG		
QUALITY		
ISSUED	M.D.PAPE	08/14/02
FOR ADDITIONAL INFO REFER TO:		
APPLIED PRACTICES		
DIMENSIONS ARE IN INCHES		
MATERIAL		

REGAL-BELOTT CORPORATION

OUTLINE

GENERAL PURPOSE MOTOR - DRIP PROOF - BALL BEARING - WELD BASE

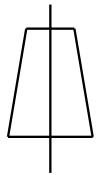
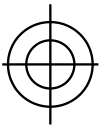
SCALE: 0.003 REF. No: .

SIZE: DRAWING A

REV 16

SHEET 1 of 2

THIRD ANGLE PROJECTION



REVISIONS

REV.	DESCRIPTION	DATE	APPROVED
10	ADDED PART# 889 PER DS07-057080571	05/23/07	BOMMU
11	'XS' FOR PT#9 WAS 1.43	08/03/07	DURGA
12	CAP COVER CHG AS PER IS07-1231	09/21/07	BALA
13	ADDED PT# 10 PER SAMPLE DS09-1939	12/31/09	PRAVEEN.K
14	ADDED PT# 11 PER IS11 - 0065	01/07/11	KARTHIK
15	CHD. PT#11 PER START CAP, CHD.	07/19/12	KARTHIK
16	REPRESENTED O/L IN SIDE VIEWS AND CHANGED PART #11 DIM'S PER SAMPLE DS12-3611	08/22/12	RAJESH

52A107782

REV 16

SHEET 2

DRAWING NO.

SIZE A

11	KCR	49	56	13.22	7.06	4.07	8.40	2.33	1.53	2.70	8.53	3.38	3.94	8.99
10	KCR	49	56	13.22	7.06	4.40	8.18	2.15	1.20	2.40	8.40	3.20	3.38	8.99
9	KCR	48	56	12.66	6.50	4.32	8.18	2.15	2.08	2.40	8.40	3.20	3.38	8.43
8	KCR	48	56	12.66	6.50	4.32	8.18	2.15	1.43	2.15	8.18	3.20	3.20	8.43
7	KCR	48	56	12.66	6.50	4.32	8.40	2.40	1.43	2.15	8.18	3.38	3.38	8.43
6	KCR	48	56	12.66	6.50	4.32	8.40	2.40	1.43	2.15	8.18	3.38	3.20	8.43
5	KCR	49	56	11.38	5.22	3.51	8.18	2.15	2.24	2.40	8.40	3.20	3.38	7.15
4	KC	49	56	11.38	5.22	3.41	8.18	2.15	2.21	2.40	8.40	3.20	3.38	7.15
3	KC	46	56	10.78	4.62	2.81	8.18	2.15	2.81	2.40	8.40	3.20	3.38	6.55
2	KCR/KC	49	56	11.38	5.22	3.51	8.18	2.15	2.24	2.40	8.40	3.20	3.38	7.15
1	KCR/KC	46	56	10.78	4.62	2.91	8.18	2.15	2.84	2.15	8.18	3.20	3.20	6.55
P	TYPE	RBC SIZE	NEMA FR	"C"	"L"	"XH"	"XO"	"XR"	"XS"	"ZA"	"ZB"	"ZC"	"ZD"	MIN. SHELL

SIGNATURES DATE

MODEL M.D.PAPE 03/02/92

DETAIL

CHECKED

ENGRG

MFG

QUALITY

ISSUED M.D.PAPE 08/14/02

SOLID MODEL: 52A107782



REGAL-BELOTT CORPORATION

TITLE OUTLINE

GENERAL PURPOSE MOTOR - DRIP PROOF - BALL BEARING - WELD BASE

SIZE DRAWING

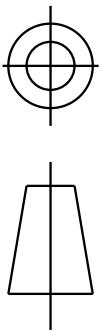
A

52A107782 16

REV

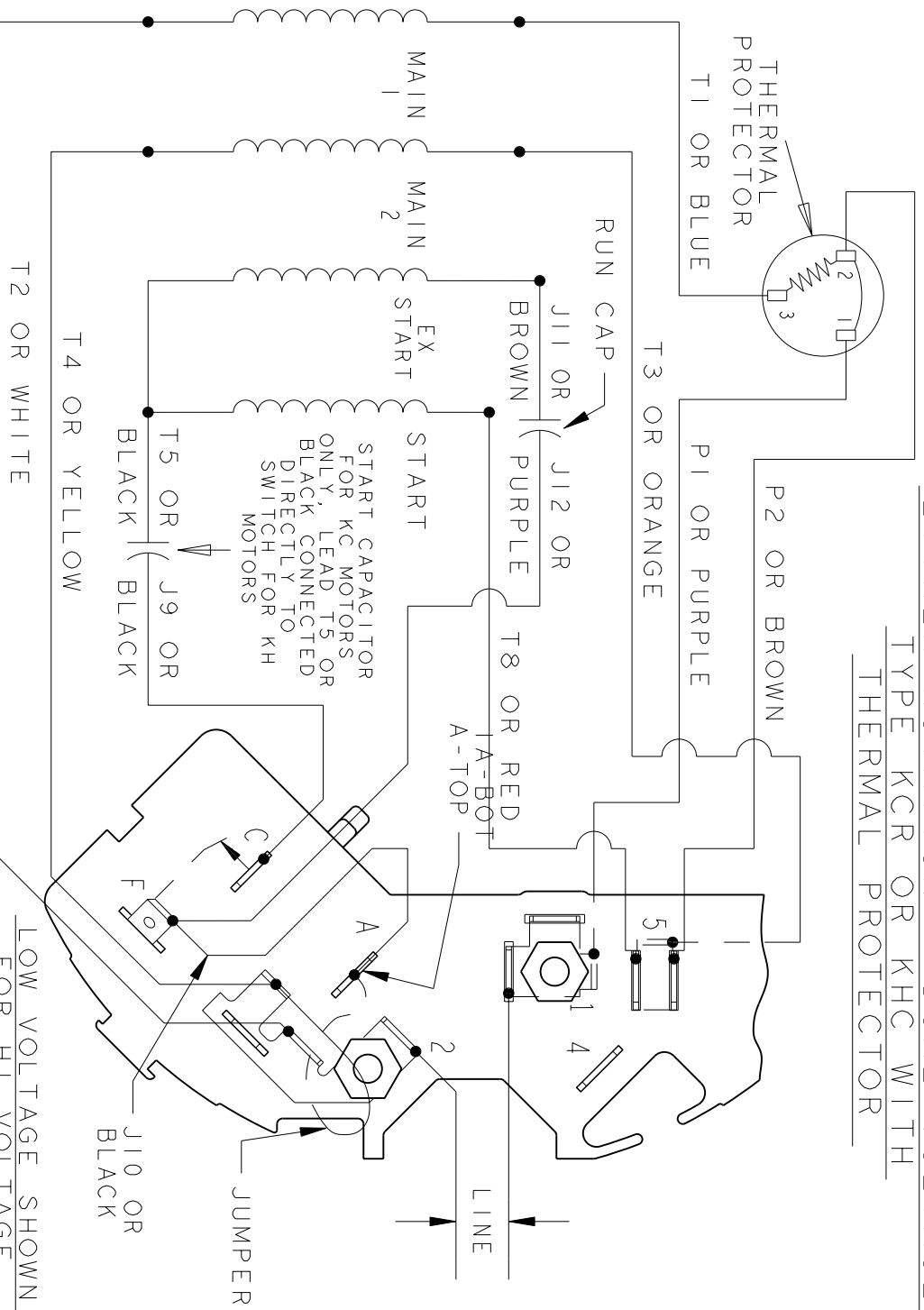
SCALE: 0.003 REF. No:

SHEET 2 of 2



REV.	DESCRIPTION	DATE	APPROVED
3	UPDATED FORMAT	01/05/06	MAM

EITHER ROTATION - DUAL VOLTAGE
TYPE KCR OR KHC WITH
THERMAL PROTECTOR



- NOTE #1 - FOR HI VOLTAGE REMOVE BROWN (P2) FROM TERMINAL #5 AND PLACE ON TERMINAL #4, REMOVE WHITE (T2) FROM TERMINAL #2 AND PLACE ON TERMINAL #5.
- NOTE #2 - TO REVERSE ROTATION INTERCHANGE BLACK (J10) AND RED (T8) LEADS.
- NOTE #3 - WHEN MORE THAN ONE CAPACITOR IS USED CONNECT IN PARALLEL.

REF. DIAG. - 119A9479

SWITCH - 115D958AC
CONNECTION LABEL - 52X332051

SIGNATURES		DATE
MODEL	M.D. PAPE	10/19/87
DETAIL	.	.
CHECKED	.	.
ENGRG	.	.
MFG	.	.
FOR ADDITIONAL INFO REFER TO:	QUALITY	.
APPLIED PRACTICES	ISSUED	M.D.P. 10/19/87
DIMENSIONS ARE IN INCHES	SOLID MODEL: 52A105383AB	



REGAL-BELOIT CORPORATION

CONNECTION DIAGRAM

30 FRAME SWITCH REDESIGN

TITLE	SIZE	DRAWING	SCALE	REF. No.	SHEET	1 of 1
	A		1.000			

52A105383AB

REV 3