

PRODUCT INFORMATION PACKET

marathon[®]
Motors

Model No: 5KCR48TN3084X
Catalog No: C1479
1-1/3, 1725/1140, DP, 56H, 1/60/208-230/190-220
Open Drip Proof (ODP)



Regal and Marathon are trademarks of Regal Beloit Corporation or one of its affiliated companies.
©2018 Regal Beloit Corporation, All Rights Reserved. MC017097E

REGAL[®]

Nameplate Specifications

Output HP	1 Hp	Output KW	0.75 kW
Frequency	60 Hz	Voltage	208-230/190-220 V
Current	5.3-5.4,3.6-3.7 A	Speed	1725 rpm
Service Factor	1	Phase	1
Efficiency	74 %	Duty	Continuous
Insulation Class	B	KVA Code	J
Frame	56H	Enclosure	Drip Proof
Overload Protector	AUTO	Ambient Temperature	50 °C
Drive End Bearing Size	6203	Opp Drive End Bearing Size	6203
UL	Recognized	CSA	Yes
CE	N		

Technical Specifications

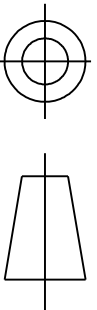
Electrical Type	Capacitor Start Capacitor Run(CSCR)	Starting Method	SM
Poles	4	Rotation	Selective Counterclockwise
Mounting	Resilient Base	Motor Orientation	Any
Drive End Bearing	BALL	Opp Drive End Bearing	BALL
Frame Material	Rolled Steel	Overall Length	12.54 in
Frame Length	8.43 in	Shaft Diameter	0.630 in
Shaft Extension	1.88 in		
Outline Drawing	52A109607P5	Connection Diagram	52A105385AF

This is an uncontrolled document once printed or downloaded and is subject to change without notice. Date Created: 06/29/2018



REVISIONS

THIRD ANGLE PROJECTION

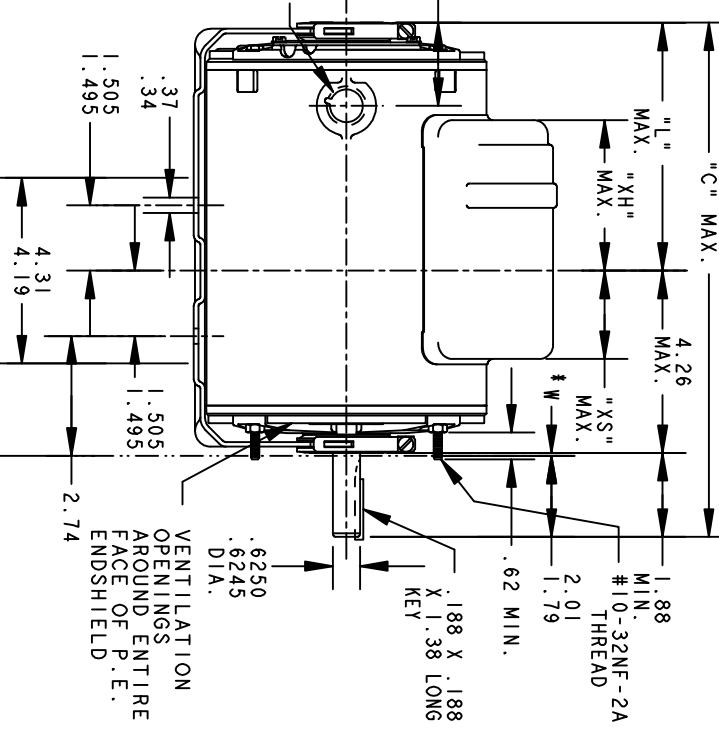
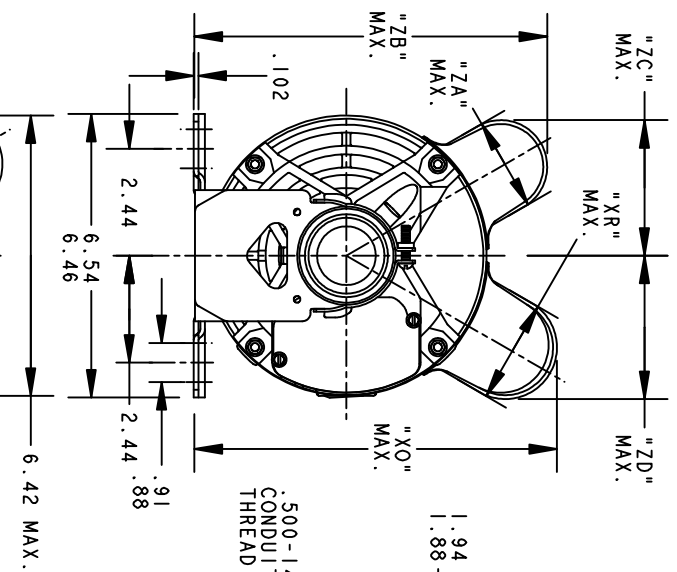


REV.	DESCRIPTION	DATE	APPROVED
6	ADDED PT#6 PER DS11-1413 REDESIGN	06/15/2011	BHASKAR

SHEET 1
REV

52A109607

DRAWING NO. A
SIZE



* W IS A VARIABLE CLEARANCE DUE TO VARIATIONS IN PARTS AND ASSEMBLY

6	KCR	49	56	12.01	6.75	3.62	8.16	2.10	2.30	2.10	8.16	3.15	3.15	7.68
5	KCR	48	56	12.54	6.50	4.37	7.92	1.60	2.39	2.10	8.16	3.15	3.16	8.43
4	KC	46	56	10.78	4.62	2.92	7.81	1.60	2.82	2.15	8.18	3.20	2.89	6.55
3	KCR	49	56	12.01	5.75	3.62	7.74	1.60	2.30	2.10	8.16	3.15	2.80	7.68
2	KCR	49	56	11.48	5.22	3.48	8.16	2.40	2.26	2.10	8.16	3.15	3.30	7.15
1	KCR	49	56	11.48	5.22	3.48	7.56	1.60	2.26	2.10	8.16	3.15	3.09	7.15
P	TYPE	GE SIZE	NEMA FR	"C"	"L"	"XH"	"XO"	"XR"	"XS"	"ZA"	"ZB"	"ZC"	"ZD"	MIN. SHELL

REGAL-BELOIT CORPORATION

OUTLINE

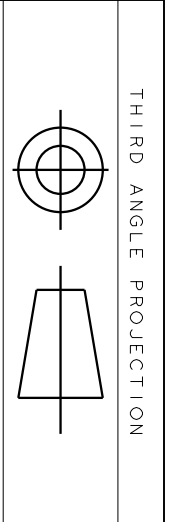
TITLE
40 FRAME REDESIGN - GENERAL PURPOSE MOTOR - DRIP PROOF - BALL BEARING - RESILIENT BASE FMF: SKCR49PN3012X

SIZE DRAWING A
52A109607

SCALE: 0.250 REF. No.: SHEET 1 of 1

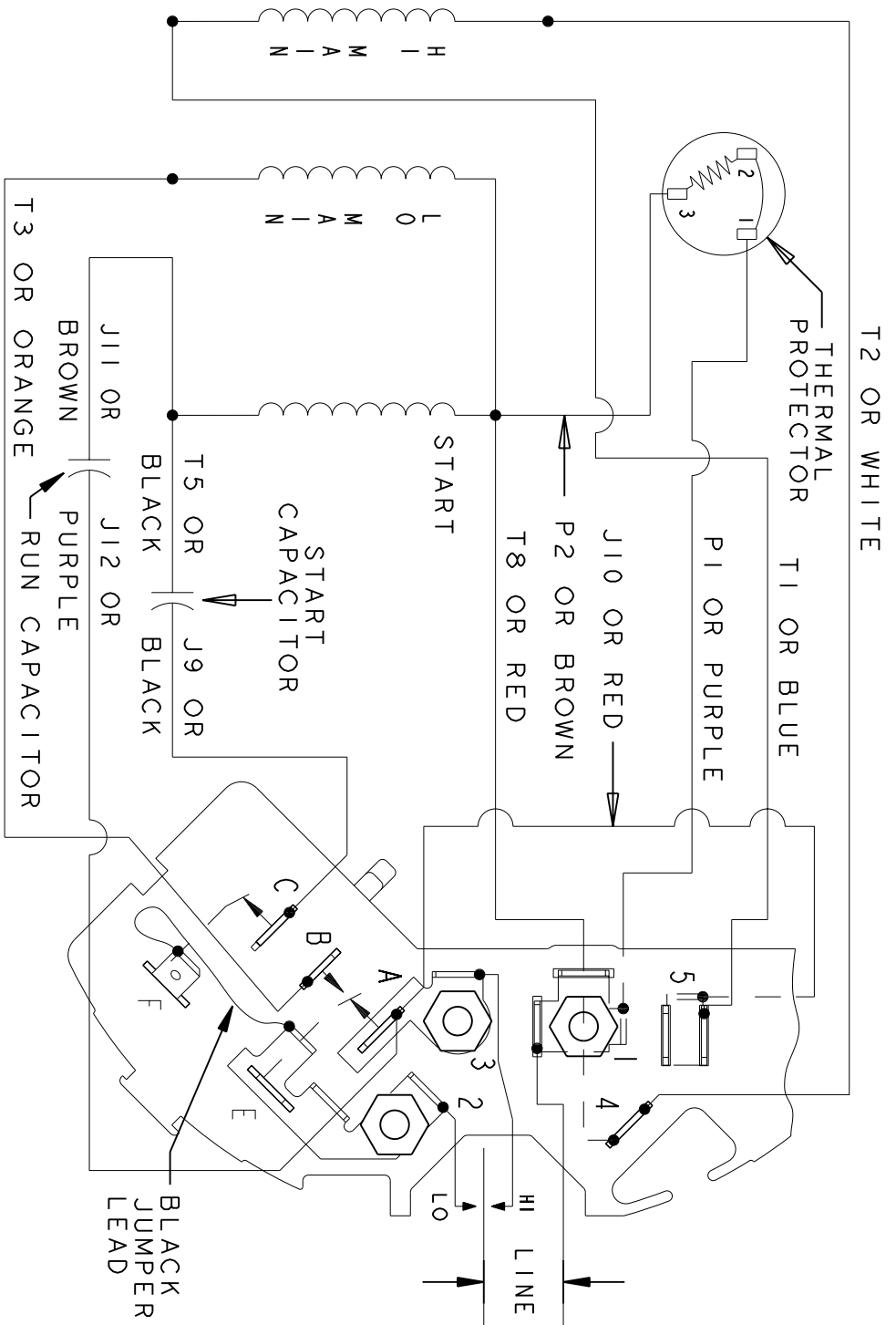
SIGNATURES		DATE
MODEL	MA MARKS	04/06/94
DETAIL		
CHECKED		
ENGRG		
MFG		
QUALITY		
ISSUED	M.D. PAPE	02/11/00

FOR ADDITIONAL INFO REFER TO:
APPLIED DIMENSIONS ARE IN INCHES ✓
MATERIAL



REV.	DESCRIPTION	DATE	APPROVED
1	UPDATED FORMAT	12/19/05	MAM

EITHER ROTATION
SINGLE VOLTAGE
TYPE KC WITH
THERMAL PROTECTOR
2 SPEED
POLE CHANGING
(HI SPEED START WINDING)



NOTE #1 - TO REVERSE ROTATION INTERCHANGE BLUE (T1) AND WHITE (T2) LEADS.

NOTE #2 - WHEN MORE THAN ONE CAPACITOR IS USED CONNECT IN PARALLEL.

REF. DIAG. - 52A101511 SWITCH (D) - 115D958BA CONNECTION LABEL - 52X332052

SIGNATURES	DATE
MODEL B. JOHNSON	08/19/92
DETAIL	.
CHECKED	.
ENGRG	.
MFG	.
FOR ADDITIONAL INFO REFER TO:	
APPLIED PRACTICES	ISSUED
DIMENSIONS ARE IN INCHES	B.L.J. 08/19/92
MATERIAL	SOLID MODEL: 52A105385AF

REGAL-BELOTT CORPORATION

REGAL-BELOTT

TITLE: **CONNECTION DIAGRAM**

SIZE: DRAWING A

SCALE: 1.000 REF. No.: .

FMF: 5KCR49ZN3003T

52A105385AF

REV 1

SHEET 1 of 1