

PRODUCT INFORMATION PACKET

Model No: 5KH32DNA612X
Catalog No: H902
1/4,1725,DP,48Z,1/60/115
Open Drip Proof (ODP)



Regal and Marathon are trademarks of Regal Beloit Corporation or one of its affiliated companies.
©2018 Regal Beloit Corporation, All Rights Reserved. MC017097E



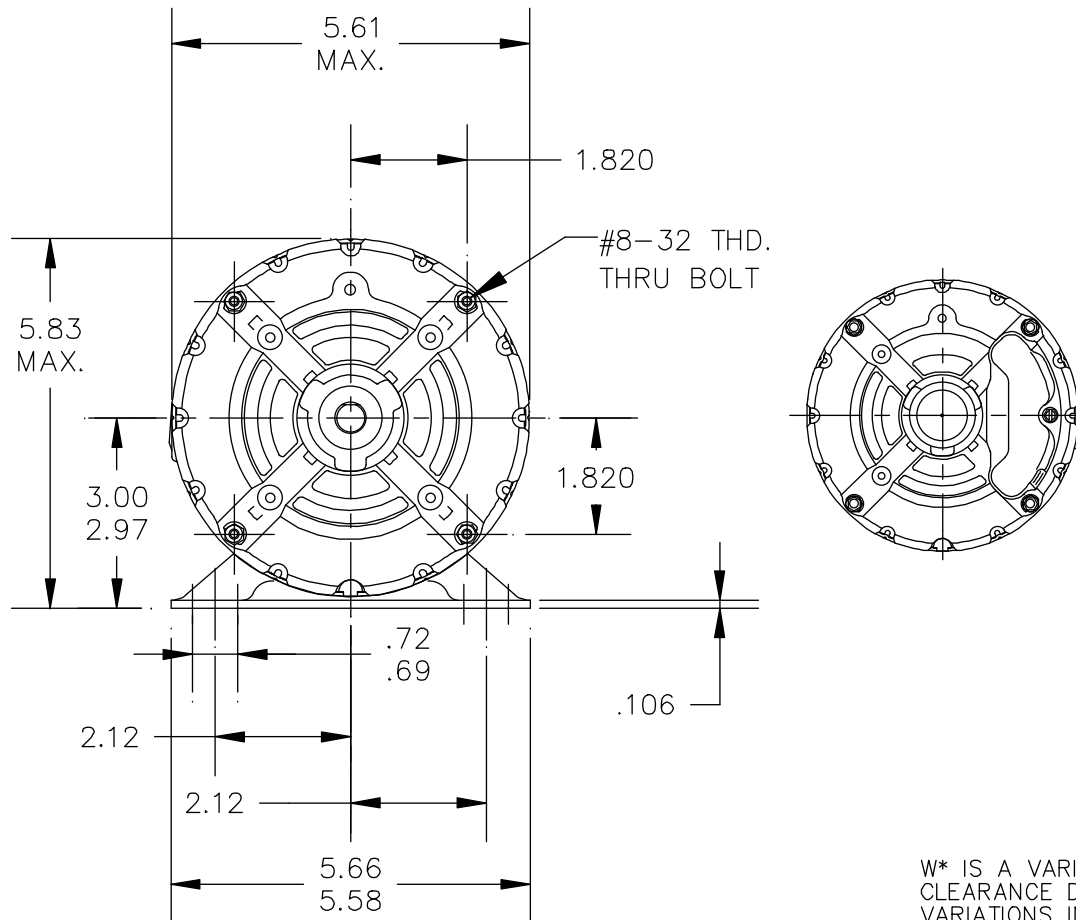
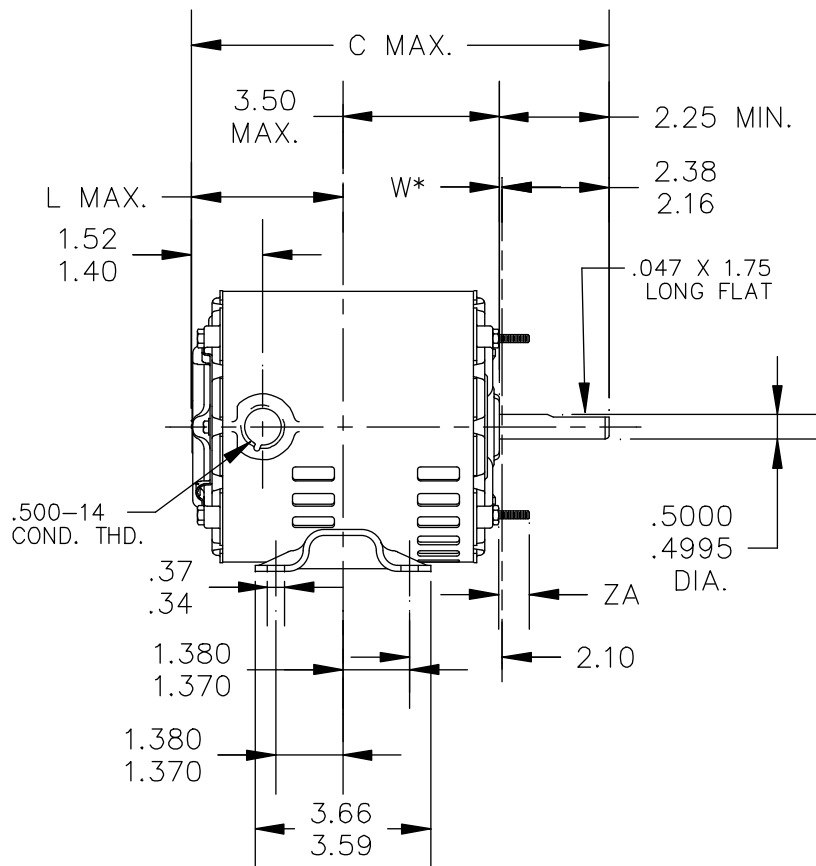
Nameplate Specifications

Output HP	1/4 Hp	Output KW	0.19 kW
Frequency	60 Hz	Voltage	115 V
Current	5.1 A	Speed	1725 rpm
Service Factor	1.15	Phase	1
Efficiency	50.5 %	Duty	Continuous
Insulation Class	B	KVA Code	P
Frame	48Z	Enclosure	Drip Proof
Overload Protector	AUTO	Ambient Temperature	40 °C
Drive End Bearing Size	6203	Opp Drive End Bearing Size	6203
UL	Recognized	CSA	Yes
CE	N		

Technical Specifications

Electrical Type	Split Phase	Starting Method	SM
Poles	4	Rotation	Counterclockwise/Clockwise
Mounting	Rigid Base	Motor Orientation	HOR
Drive End Bearing	BALL	Opp Drive End Bearing	BALL
Frame Material	Rolled Steel	Overall Length	8.74 in
Frame Length	5.16 in	Shaft Diameter	0.5 in
Shaft Extension	2.25 in		
Outline Drawing	52A109556P1	Connection Diagram	52A105379AA

This is an uncontrolled document once printed or downloaded and is subject to change without notice. Date Created: 10/08/2018



W* IS A VARIABLE CLEARANCE DUE TO VARIATIONS IN PARTS AND ASSEMBLY.

1	KH	32	48Z	8.74	3.01	0.625
P	TYPE	RBC SIZE	NEMA FR	C	L	ZA

				TOLERANCES UNLESS SPECIFIED		DRAWN M.D.P 12/16/94	
				DEC.	INCHES	CHK	
				.X	±0.1	APPD M.D.P 12/16/94	
3	REDRAWN IN DRAFT SIGHT - NO CHANGES.	GR 10/16/12	PKG	.XX	±0.02	SCALE 1=1	
2	CHG TO RBC FORMAT PER ISO5-1777	SD 03/17/06		.XXX	±0.005	REF	
1	C WAS 9.83, L WAS 2.67.	M.D.P 10/26/95		.XXXX	±0.0005	FMF	
NO.	REVISION	BY & DATE	CHK	ANG	±1.0	PREV	
THIS DRAWING IN DESIGN AND DETAIL IS OUR PROPERTY AND MUST NOT BE USED EXCEPT IN CONNECTION WITH OUR WORK ALL RIGHTS OF DESIGN AND INVENTION ARE RESERVED THIS IS AN ELECTRONICALLY GENERATED DOCUMENT - DO NOT SCALE THIS PRINT				RFP	CAD FILE	52A109556	SIZE
				DIST			DRAWING NO.
						A	52A109556
							REV.
							3



TITLE OUTLINE
DP - BALL BEARING - EXTENDED CLAMP SCREWS

