

PRODUCT INFORMATION PACKET

Model No: 5KH32FN3120T
Catalog No: 4680
1/4,1725,DP,48Z,1/60/115/208-230
Fan and Blower



Regal and Marathon are trademarks of Regal Beloit Corporation or one of its affiliated companies.
©2018 Regal Beloit Corporation, All Rights Reserved. MC017097E

Product Information Packet: Model No: 5KH32FN3120T, Catalog No:4680 1/4,1725,DP,48Z,1/60/115/208-230

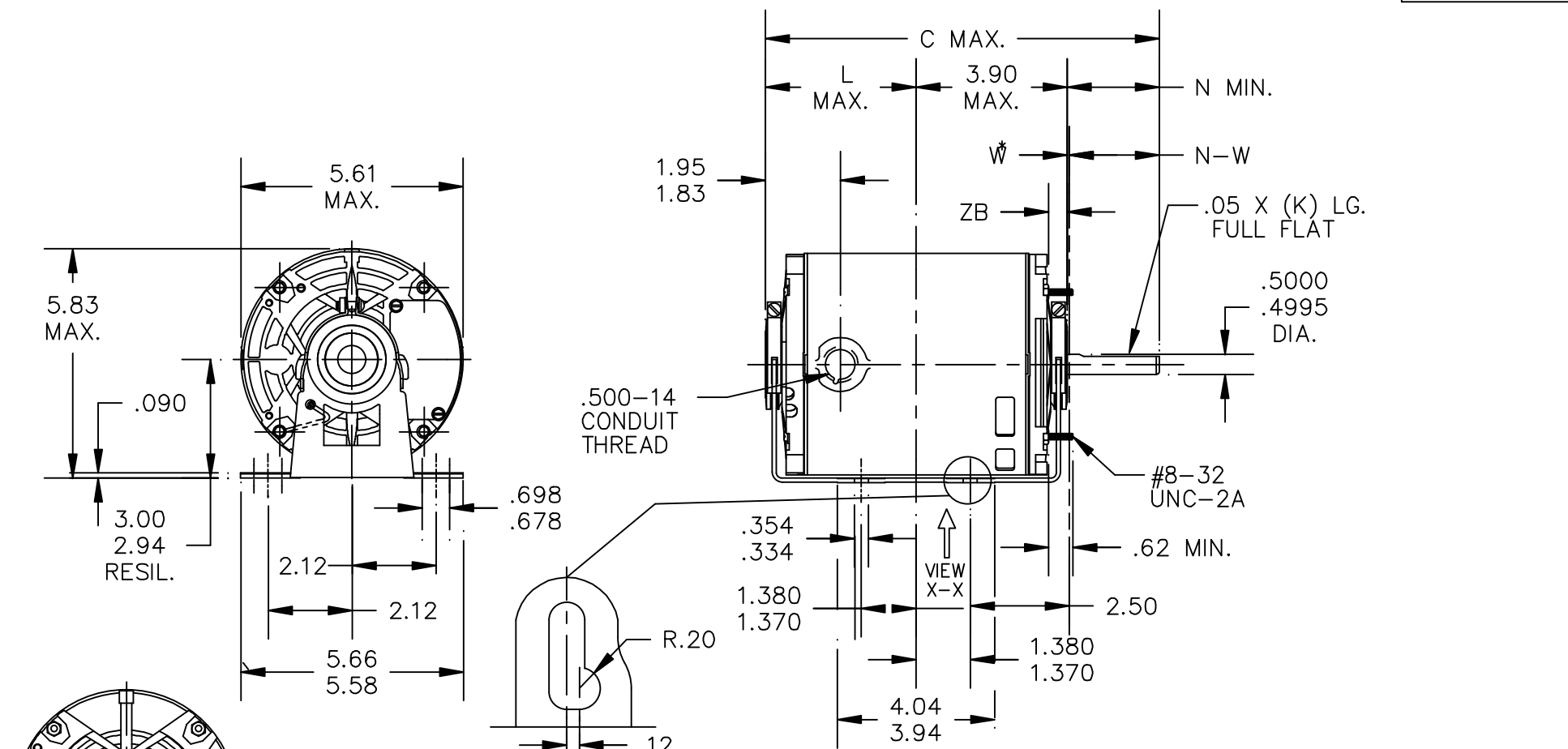
Nameplate Specifications

Output HP	1/4 Hp	Output KW	0.19 kW
Frequency	60 Hz	Voltage	115/208-230 V
Current	5.0,2.5 A	Speed	1725 rpm
Service Factor	1.35	Phase	1
Efficiency	55 %	Duty	Continuous
Insulation Class	B	KVA Code	P
Frame	48Z	Enclosure	Drip Proof
Overload Protector	AUTO	Ambient Temperature	40 °C
Drive End Bearing Size	6203	Opp Drive End Bearing Size	6203
UL	Recognized	CSA	Yes
CE	N		

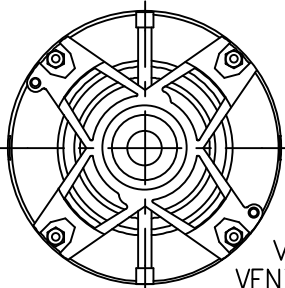
Technical Specifications

Electrical Type	Split Phase	Starting Method	SM
Poles	4	Rotation	Counterclockwise/Clockwise
Mounting	Resilient Base	Motor Orientation	ANY
Drive End Bearing	BALL	Opp Drive End Bearing	BALL
Frame Material	Rolled Steel	Overall Length	9.94 in
Frame Length	5.16 in	Shaft Diameter	0.5 in
Shaft Extension	1.91 in	Thru-bolts Extension	0
Outline Drawing	52A111791P1	Connection Diagram	52A105383AA

This is an uncontrolled document once printed or downloaded and is subject to change without notice. Date Created: 10/08/2018



W * IS A CLEARANCE DUE TO VARIATION IN PARTS AND ASSEMBLY.



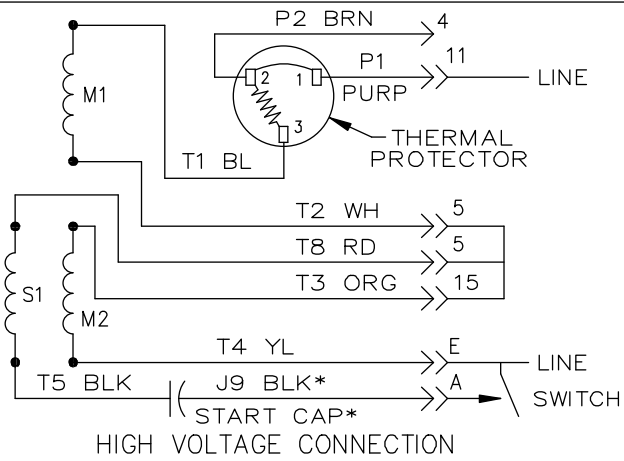
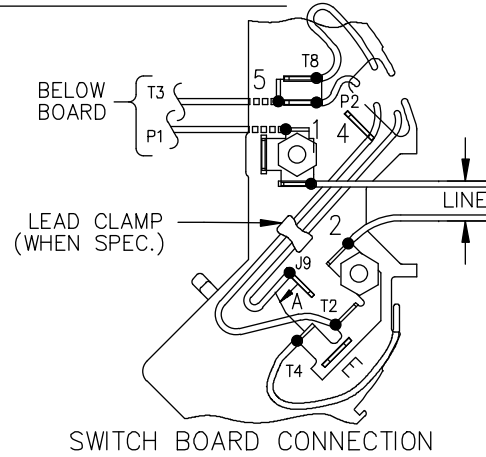
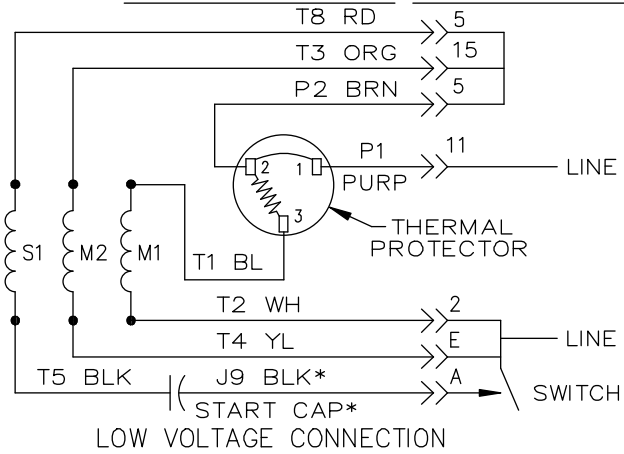
VIEW SHOWING P.E. VENTILATION OPENINGS

VIEW X-X ENLARGED VIEW OF SLOT

1	KH	32	48Z	9.94	1.91	3.59	2.25	2.38/2.16	.55/.52
P	TYPE	RBC SIZE	NEMA FR	C	K	L	N	N-W	ZB

				TOLERANCES UNLESS SPECIFIED		REGAL-BELOIT CORPORATION		DRAWN PKG 09/01/07		
				DEC.	INCHES			CHK		
				.X	±0.1	TITLE		APPD PKG 09/01/07		
				.XX	±0.02			SCALE 1=1		
01	CHG GD LD FROM 4.30 TO 7.30 PER IS11-0510	PVR 09/24/12	PKG	.XXX	±0.005	OUTLINE DRIP PROOF RESIL BASE		REF		
	& REDRAWN IN DRAFT SIGHT			.XXXX	±0.0005			MAT'L.		FMF
NO.	REVISION	BY & DATE	CHK	ANG	±1.0	FINISH		PREV		
THIS DRAWING IN DESIGN AND DETAIL IS OUR PROPERTY AND MUST NOT BE USED EXCEPT IN CONNECTION WITH OUR WORK ALL RIGHTS OF DESIGN AND INVENTION ARE RESERVED THIS IS AN ELECTRONICALLY GENERATED DOCUMENT - DO NOT SCALE THIS PRINT				RFP		CAD FILE	52A111791	SIZE	DRAWING NO.	REV.
				DIST				A	52A111791	01

EITHER ROTATION, DUAL VOLTAGE, TYPE KC OR KH, WITH THERMAL PROTECTION



NOTE #1 - START CAP & J9 WHEN SPECIFIED (*). IF NO CAPACITOR (KH), CONNECT T5 DIRECTLY TO SWITCH (A). WHEN MORE THAN ONE CAPACITOR IS USED, CONNECT IN PARALLEL.

NOTE #2 - TO REVERSE ROTATION, INTER CHANGE RD(T8) AND BLK(J9-KC OR T5-KH) LEADS.

SWITCH REF. - 115D958AB	CONNECTION LABEL	CCW ROTATION: NP52X332051AA
		CW ROTATION: NP52X332051AC

NO.	REVISION	BY & DATE	CHK	ANG	TOLERANCES UNLESS SPECIFIED		FINISH	DRAWING NO.	REV.		
					DEC.	INCHES					
					.X	±0.1	REGAL-BELOIT CORPORATION TITLE CONNECTION DIAGRAM 30 FRAME SWITCH REDESIGN	DRAWN M.D.P 06/29/87			
					.XX	±0.02		CHK			
					.XXX	±0.005		APPD M.D.P 03/26/96			
5	ADDED CONNECTION LABEL PER ECO-0030779	UD 02/06/13	PKG	.XXX	±0.005	MAT'L.		SCALE 1=1			
4	UPDATED PER ISO7-0150	MD 01/23/07		.XXXX	±0.0005			REF			
					±1.0		FMF				
THIS DRAWING IN DESIGN AND DETAIL IS OUR PROPERTY AND MUST NOT BE USED EXCEPT IN CONNECTION WITH OUR WORK. ALL RIGHTS OF DESIGN AND INVENTION ARE RESERVED. THIS IS AN ELECTRONICALLY GENERATED DOCUMENT - DO NOT SCALE THIS PRINT							RFP	CAD FILE 52A105383AA	SIZE A	52A105383AA	5
							DIST				