

# PRODUCT INFORMATION PACKET

Model No: 5KH32FNA499S  
Catalog No: X1903  
1/4,1800,TENV,48Z,1/60/115  
Single Phase



Regal and Marathon are trademarks of Regal Beloit Corporation or one of its affiliated companies.  
©2018 Regal Beloit Corporation, All Rights Reserved. MC017097E



**Nameplate Specifications**

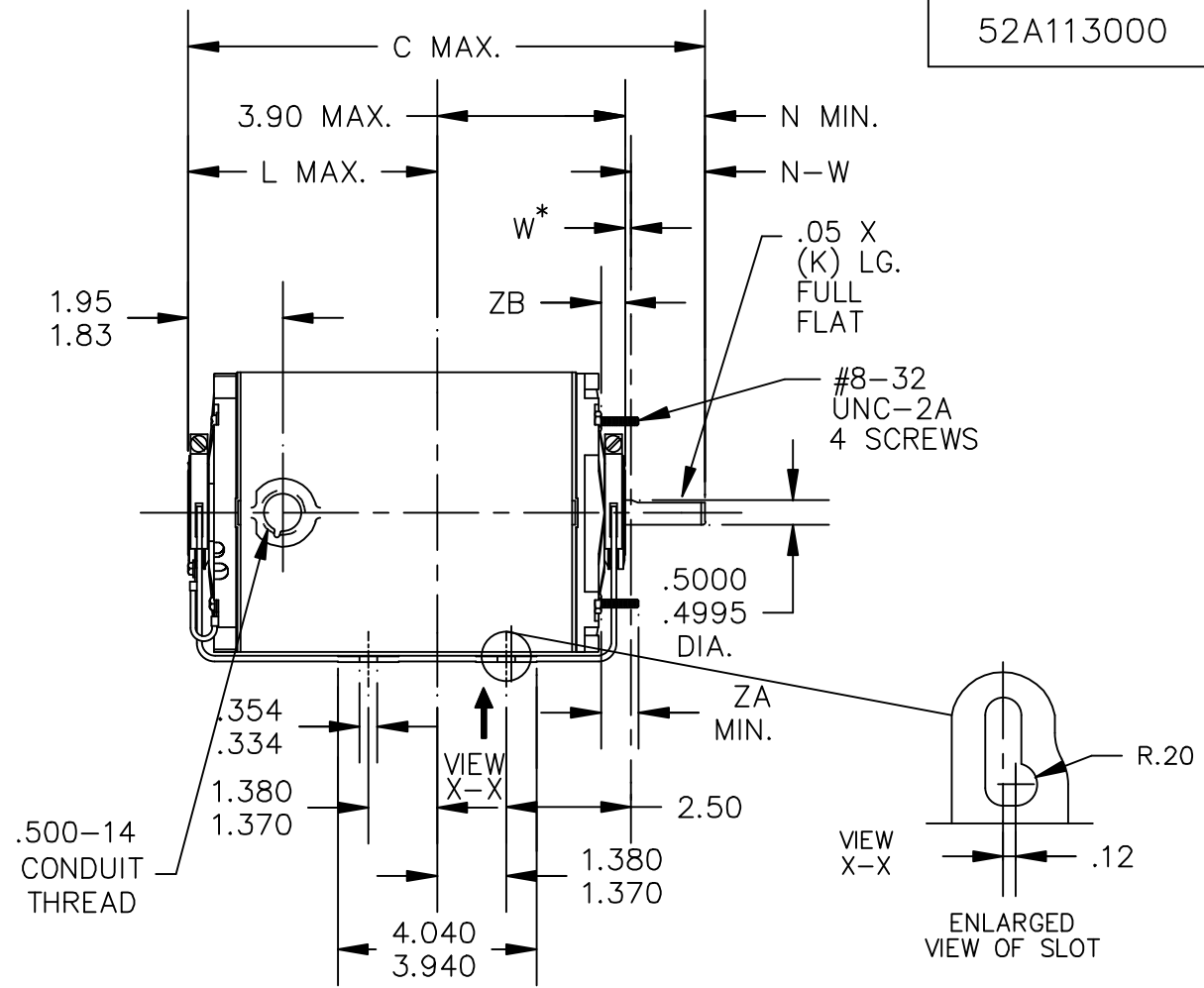
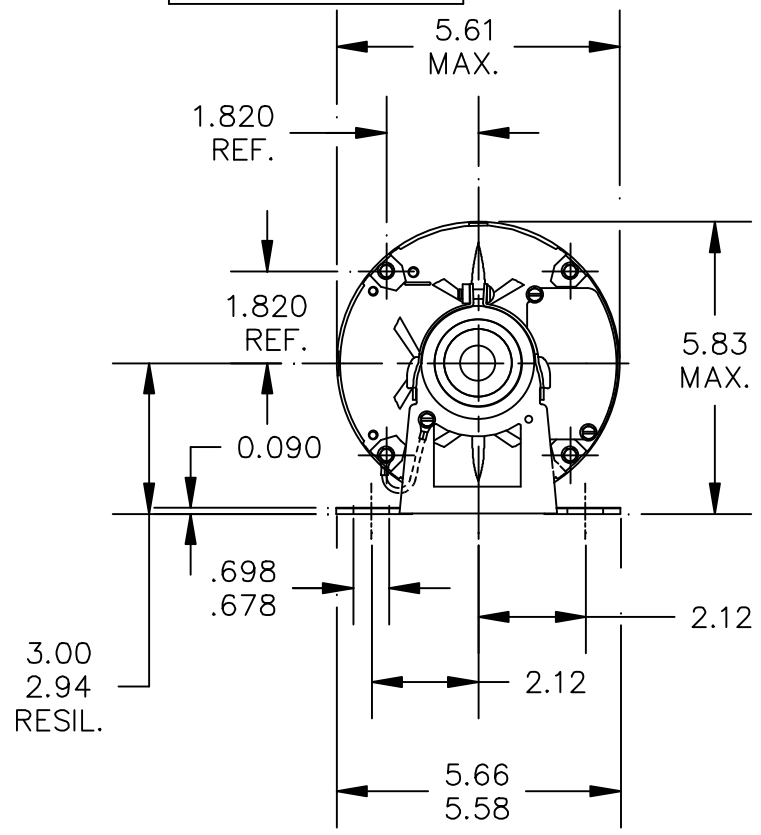
Output HP	<b>1/4 Hp</b>	Output KW	<b>0.19 kW</b>
Frequency	<b>60 Hz</b>	Voltage	<b>115 V</b>
Current	<b>5.1 A</b>	Speed	<b>1725 rpm</b>
Service Factor	<b>1</b>	Phase	<b>1</b>
Efficiency	<b>52.8 %</b>	Duty	<b>Continuous</b>
Insulation Class	<b>B</b>	KVA Code	<b>R</b>
Frame	<b>48Z</b>	Enclosure	<b>Totally Enclosed Non Ventilated</b>
Overload Protector	<b>AUTO</b>	Ambient Temperature	<b>40 °C</b>
Drive End Bearing Size	<b>6203</b>	Opp Drive End Bearing Size	<b>6203</b>
UL	<b>Recognized</b>	CSA	<b>Yes</b>
CE	<b>N</b>		

**Technical Specifications**

Electrical Type	<b>Split Phase</b>	Starting Method	<b>SM</b>
Poles	<b>4</b>	Rotation	<b>Counterclockwise/Clockwise</b>
Mounting	<b>Resilient Base</b>	Motor Orientation	<b>ANY</b>
Drive End Bearing	<b>BALL</b>	Opp Drive End Bearing	<b>BALL</b>
Frame Material	<b>Rolled Steel</b>	Overall Length	<b>9.68 in</b>
Frame Length	<b>5.16 in</b>	Shaft Diameter	<b>0.5 in</b>
Shaft Extension	<b>2.25 in</b>		
Outline Drawing	<b>52A113000P2</b>	Connection Diagram	<b>52A105379AA</b>

**This is an uncontrolled document once printed or downloaded and is subject to change without notice. Date Created: 10/08/2018**

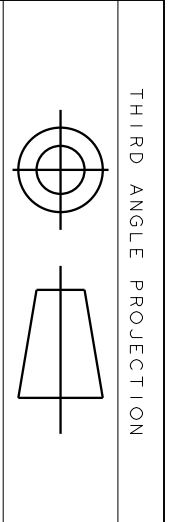
CONTINUED FROM  
52A101954



W\* IS A CLEARANCE DUE TO VARIATION IN PARTS AND ASSEMBLY.

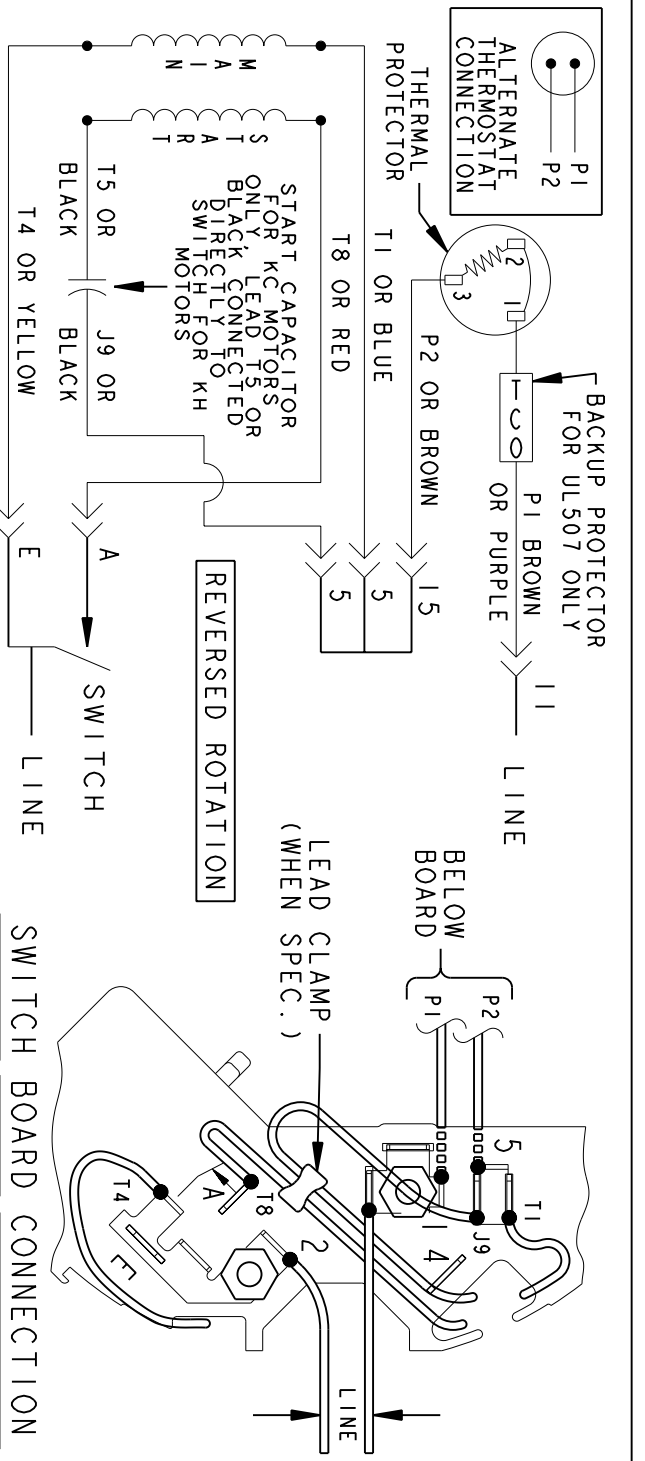
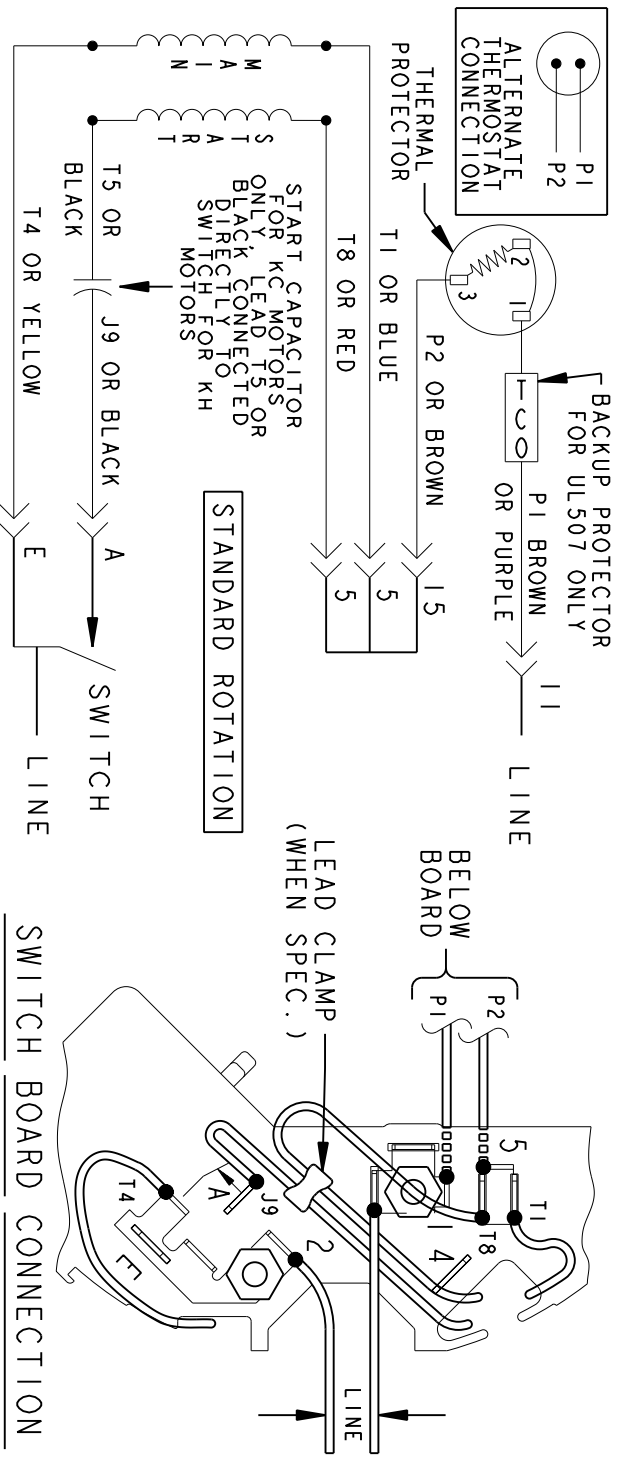
3	KH	33	48Z	9.93	1.91	3.84	2.25	2.38/2.16	.55/.52	.62
2	KH	32	48Z	9.68	1.91	3.59	2.25	2.38/2.16	.55/.52	.78
1	KH	36	48Z	11.00	2.16	4.65	2.50	2.63/2.41	.55/.52	.62
P	TYPE	RBC SIZE	NEMA FR	C	K	L	N	N-W	ZB	ZA

				TOLERANCES UNLESS SPECIFIED		<b>REGAL-BELOIT CORPORATION</b>		DRAWN BOMMU 10/23/07		
				DEC.	INCHES			CHK		
				.X	±0.1	TITLE		APPD PRAVEEN 10/23/07		
				.XX	±0.02			SCALE 1=1		
01	CHG GD LD FROM 4.30 TO 7.30 PER IS11-0510.	PVR 09/24/12	PKG	.XXX	±0.005	OUTLINE TENV - RESIL BASE		REF		
	& REDRAWN IN DRAFT SIGHT			.XXXX	±0.0005			MAT'L.		FMF
Nº.	REVISION	BY & DATE	CHK	ANG	±1.0	FINISH		PREV		
THIS DRAWING IN DESIGN AND DETAIL IS OUR PROPERTY AND MUST NOT BE USED EXCEPT IN CONNECTION WITH OUR WORK ALL RIGHTS OF DESIGN AND INVENTION ARE RESERVED THIS IS AN ELECTRONICALLY GENERATED DOCUMENT - DO NOT SCALE THIS PRINT				RFP		CAD FILE 52A113000		SIZE	DRAWING NO.	REV.
				DIST				A	52A113000	01



REV.	DESCRIPTION	DATE	APPROVED
6	UPDATED FORMAT	12/01/05	MAM

EITHER ROTATION-SINGLE VOLTAGE-TYPE KC OR KH-WITH THERMAL PROTECTOR



NOTE #1 - TO REVERSE ROTATION INTERCHANGE RED (T8) AND BLACK (J9-KC OR T5-KH) LEADS.  
 NOTE #2 - WHEN MORE THAN ONE CAPACITOR IS USED CONNECT IN PARALLEL.

SWITCH (C) - 115D958AB REF. DIAG. - 121A851 CONN. LABEL - 52X332048

SIGNATURES	DATE
MODEL M.D.PAPE	06/29/87
DETAIL	
CHECKED	
ENGRG	
MFG	
QUALITY	
ISSUED	M.D.P. 03/08/00
SOLID MODEL: 52A105379AA	

**REGAL-BELOIT CORPORATION**

**REGAL-BELOIT**

**CONNECTION DIAGRAM**

**FMF - 30 FR SWITCH REDESIGN**

**52A105379AA**

SCALE: 1.000 REF. No.: SHEET 1 of 1