

PRODUCT INFORMATION PACKET

Model No: 5KH35JN121
Catalog No: H217
1/3,1725,DP,56CZ,1/60/115
Single Phase



Regal and Marathon are trademarks of Regal Beloit Corporation or one of its affiliated companies.

©2018 Regal Beloit Corporation, All Rights Reserved. MC017097E



Product Information Packet: Model No: 5KH35JN121, Catalog No:H217 1/3,1725,DP,56CZ,1/60/115

Nameplate Specifications

Output HP	1/3 Hp	Output KW	0.25 kW
Frequency	60 Hz	Voltage	115 V
Current	6.6 A	Speed	1725 rpm
Service Factor	1.35	Phase	1
Efficiency	59.8 %	Duty	Continuous
Insulation Class	B	Design Code	-
KVA Code	R	Frame	56CZ
Enclosure	Drip Proof	Overload Protector	N/R
Ambient Temperature	40 °C	Drive End Bearing Size	6203
Opp Drive End Bearing Size	6203	UL	Recognized
CSA	Yes	CE	N

Technical Specifications

Electrical Type	Split Phase	Starting Method	SM
Poles	4	Rotation	Counterclockwise/Clockwise
Mounting	Round	Motor Orientation	ANY
Drive End Bearing	BALL	Opp Drive End Bearing	BALL
Frame Material	Rolled Steel	Overall Length	10.25 in
Frame Length	5.79 in	Shaft Diameter	0.63 in
Shaft Extension	2.25 in	Thru-bolts Extension	0
Outline Drawing	52A102411P3	Connection Diagram	52A105377AA

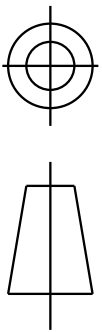
This is an uncontrolled document once printed or downloaded and is subject to change without notice. Date Created: 10/08/2018

REVISIONS

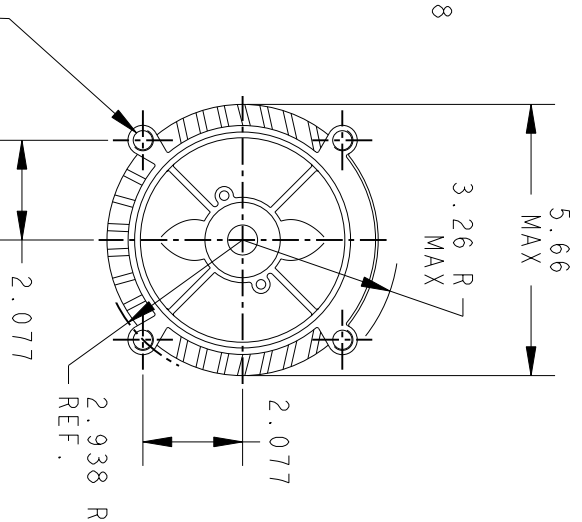
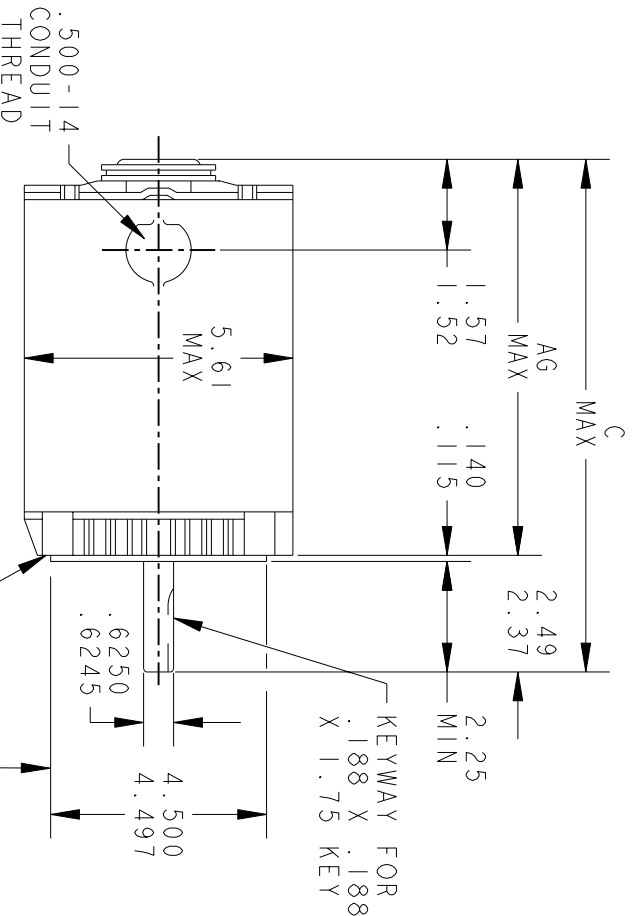
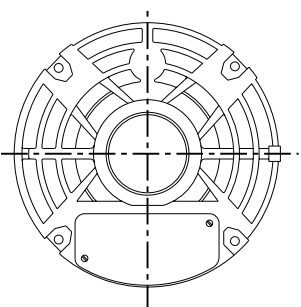
REV.	DESCRIPTION	DATE	APPROVED
5	REDRAWN NO CHANGE T196-22390	9/9/96	MDP
6	UPDATED AS PER ISO5-2685	10/21/05	PRAVEEN.K

This document is the property of REGAL-BELOIT CORPORATION ("BCC") including its subsidiaries and divisions and contains proprietary information of BCC. This document is loaned on the express condition that neither the recipient nor any other person shall be permitted to disseminate, copy, reproduce, modify, or otherwise use this document in any way without the express written consent of BCC. BCC shall not be held liable for any errors or omissions in this document. This document shall be returned to BCC upon its request. This document may be subject to certain restrictions under U.S. export control laws and regulations.

THIRD ANGLE PROJECTION



VIEW FACING LEAD END



FACE RUNOUT (WITH INDICATOR MOUNTED STATIONARY, RELATIVE TO SHAFT) MUST NOT EXCEED .010 TIR

ECCENTRICITY OF THIS SURFACE (WITH INDICATOR MOUNTED STATIONARY RELATIVE TO SHAFT) MUST NOT EXCEED .010 TIR

.375-16 UNC-2B (4 HOLES) .82 MIN. FULL THD. THESE HOLES FIT A GAGE HAVING A RABBET 4.5005 DIA. AND 4 PINS .2917 DIA. LOCATED ON THE BASIC HOLE POSITIONS.

5	KH	37	56CZ	11.08	8.61	
4	KH	36	56CZ	10.68	8.21	
3	KH	35	56CZ	10.25	7.78	
2	KH	33	56CZ	9.87	7.40	
1	KH	32	56CZ	9.62	7.15	

PT	TYPE	GE SIZE	NEMA FR	C	AG	SHELL REF
----	------	---------	---------	---	----	-----------

FOR ADDITIONAL INFO REFER TO:

APPLIED PRACTICES	MODEL	DETAIL	SIGNATURES	DATE
DIMENSIONS ARE IN INCHES	BCC	09/02/17		

TOLERANCE ON:
 1 PL DECIMALS ± 0.1
 2 PL DECIMALS ± 0.02
 3 PL DECIMALS ± 0.005

ANGLES ± 1.0
 FRACTIONS ±

FINISH	QUALITY	ISSUED	MDP
✓		9/9/96	

MATERIAL SOLID MODEL: 52A102411

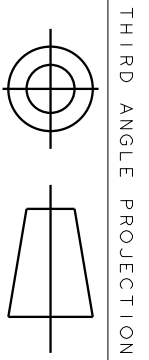


REGAL-BELOIT CORPORATION

OUTLINE

FORM "N" MOTOR-DRIP PROOF R2 END MOUNTED -SLEEVE & BALL BEARING. FME SKH32DNIII

SCALE: 1.000 REF. No.: 52A102411 REV 6

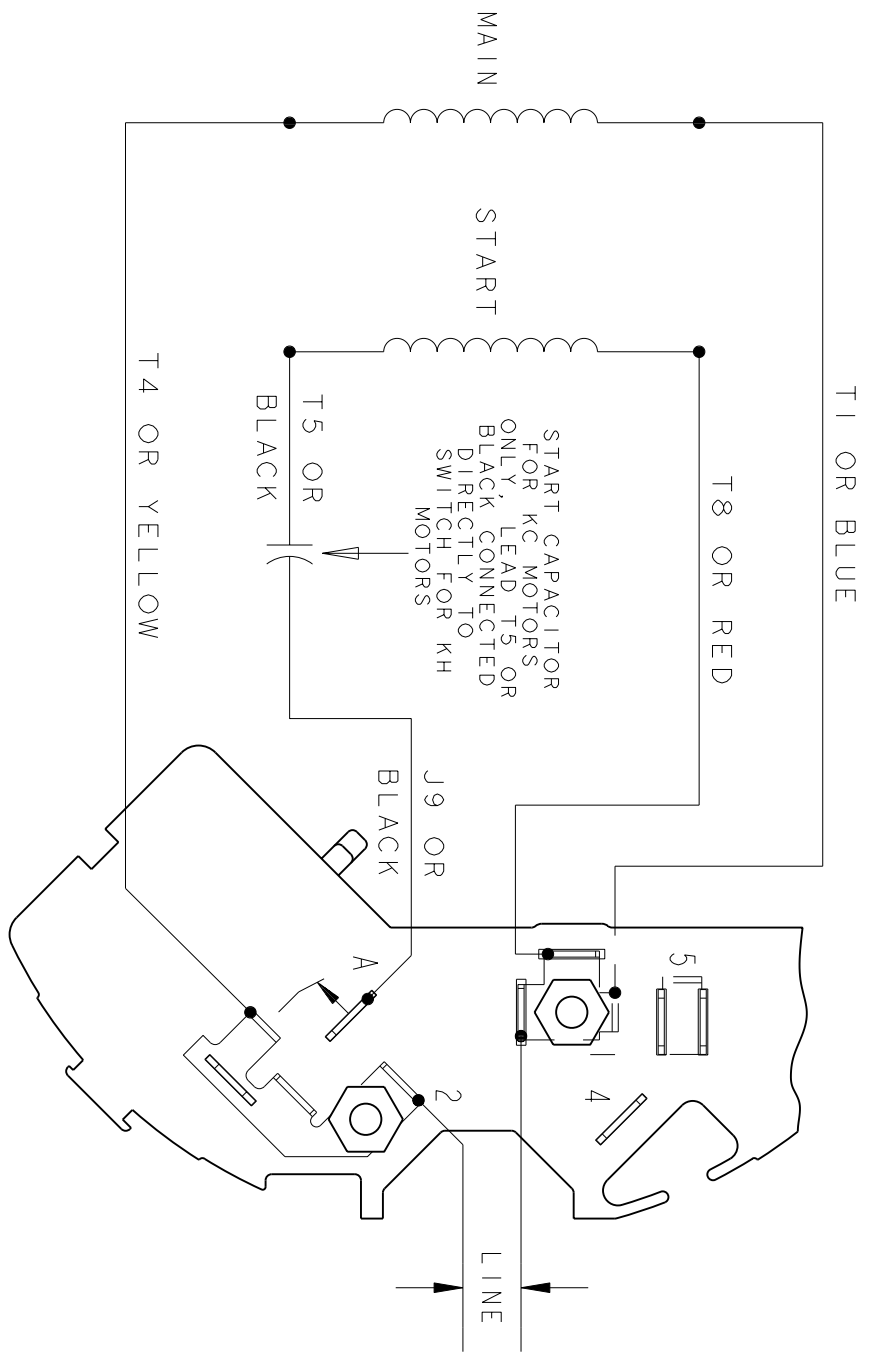


THIRD ANGLE PROJECTION

REVISIONS

REV.	DESCRIPTION	DATE	APPROVED
1	UPDATED FORMAT	11/10/05	MAM

EITHER ROTATION - SINGLE VOLTAGE
TYPE KC, OR KH



NOTE #1 - TO REVERSE ROTATION INTERCHANGE BLACK (T5-KH OR J9-KC) AND RED (T8) LEADS.

NOTE #2 - WHEN MORE THAN ONE CAPACITOR IS USED CONNECT IN PARALLEL.

REF. DIAG. - 121A850		SWITCH (C) - 115D958AB	
SIGNATURES		CONNECTION LABEL - 52X332047	
MODEL	M.D. PAPER	REGAL-BELOIT CORPORATION	
DETAIL	DATE	REGAL-BELOIT CORPORATION	
CHECKED	DATE	REGAL-BELOIT CORPORATION	
ENGRG	DATE	REGAL-BELOIT CORPORATION	
MFG	DATE	REGAL-BELOIT CORPORATION	
QUALITY	DATE	REGAL-BELOIT CORPORATION	
ISSUED	M.D.P.	REGAL-BELOIT CORPORATION	
MATERIAL	SOLID MODEL: 52A105377AA	REGAL-BELOIT CORPORATION	

REGAL-BELOIT CORPORATION
CONNECTION DIAGRAM

FME: 30 FRAME SWITCH REDESIGN

52A105377AA

SCALE: 1.000 REF. No.: SHEET 1 of 1