

# PRODUCT INFORMATION PACKET

Model No: 5KH35LNB164  
Catalog No: HG456  
1/6,1725,EPNV,48,1/60/115  
Explosion Proof



Regal and Marathon are trademarks of Regal Beloit Corporation or one of its affiliated companies.  
©2018 Regal Beloit Corporation, All Rights Reserved. MC017097E

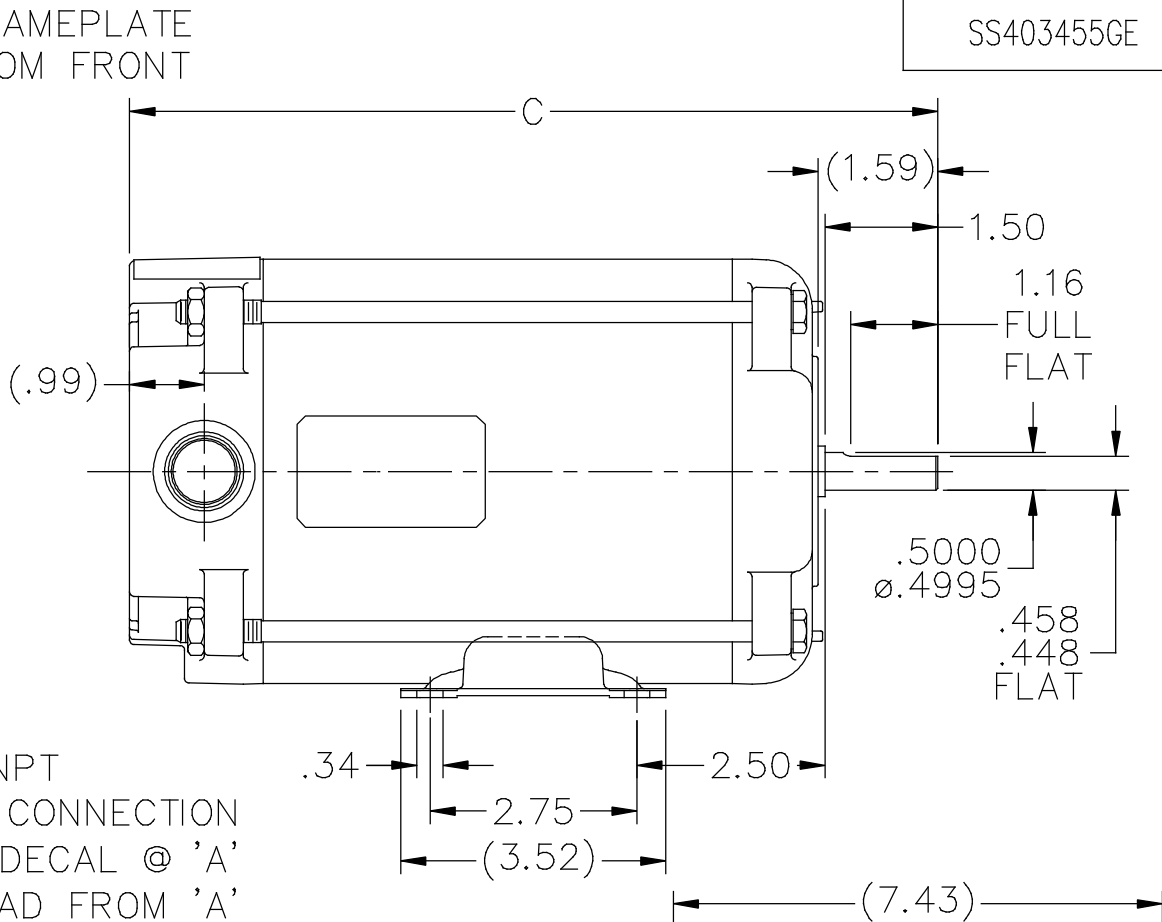
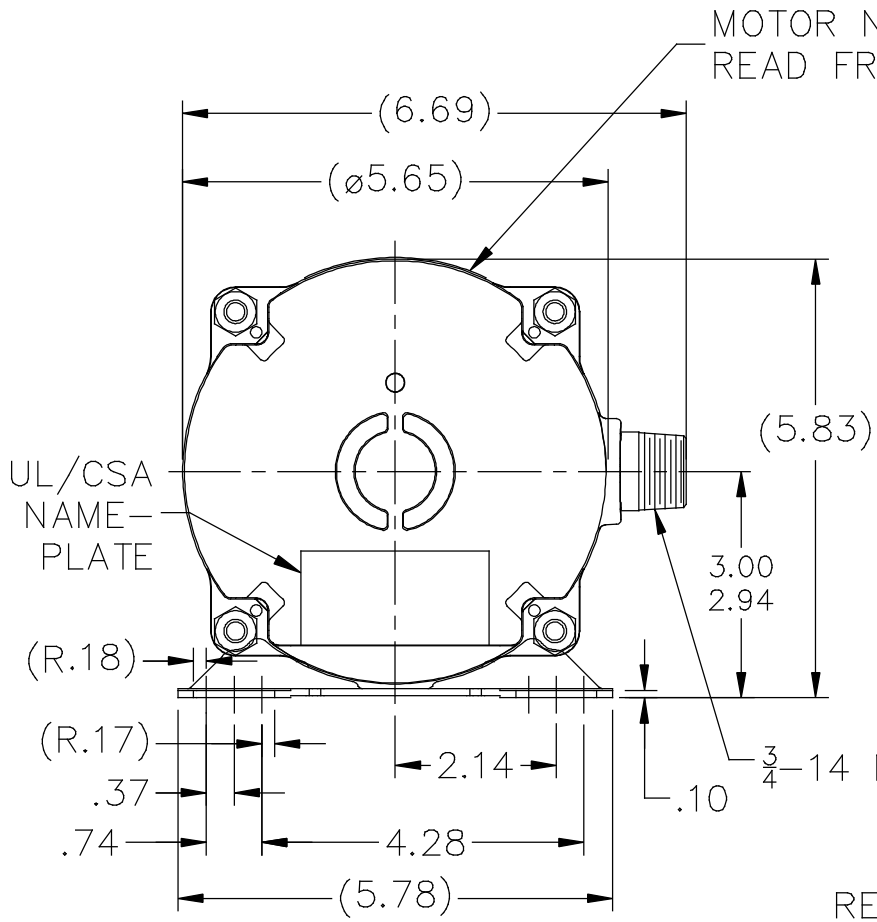
**Nameplate Specifications**

Output HP	<b>0.17 Hp</b>	Output KW	<b>0.13 kW</b>
Frequency	<b>60 Hz</b>	Voltage	<b>115 V</b>
Current	<b>3.3 A</b>	Speed	<b>1725 rpm</b>
Service Factor	<b>1</b>	Phase	<b>1</b>
Efficiency	<b>62 %</b>	Duty	<b>Continuous</b>
Insulation Class	<b>A</b>	Design Code	<b>NO DESIGN CODE</b>
KVA Code	<b>T</b>	Frame	<b>48</b>
Enclosure	<b>Explosion Proof Non Ventilated</b>	Overload Protector	<b>Automatic</b>
Ambient Temperature	<b>40 °C</b>	Drive End Bearing Size	<b>6203</b>
Opp Drive End Bearing Size	<b>6203</b>	UL	<b>Recognized</b>
CSA	<b>N</b>	CE	<b>N</b>
IP Code	<b>54</b>		

**Technical Specifications**

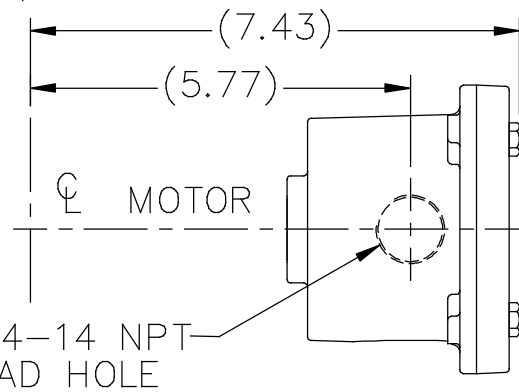
Electrical Type	<b>Split Phase</b>	Starting Method	<b>Across The Line</b>
Poles	<b>4</b>	Rotation	<b>Selective Counterclockwise</b>
Mounting	<b>Rigid Base</b>	Motor Orientation	<b>Horizontal</b>
Drive End Bearing	<b>Ball</b>	Opp Drive End Bearing	<b>Ball</b>
Frame Material	<b>Rolled Steel</b>	Shaft Type	<b>T</b>
Overall Length	<b>10.31 in</b>	Frame Length	<b>5.80 in</b>
Shaft Diameter	<b>0.500 in</b>	Shaft Extension	<b>1.59 in</b>
Assembly/Box Mounting	<b>F1 Only</b>		
Outline Drawing	<b>A-SS403455GE-580</b>	Connection Diagram	<b>A-EE7116K-GE</b>

**This is an uncontrolled document once printed or downloaded and is subject to change without notice. Date Created: 10/08/2018**




LEAD DESCRIPTION: 1 BLACK, 1 PURPLE, 1 BLUE, 1 GREEN, 1 YELLOW, AND 1 RED ALL EXITING A SEALED PIPE NIPPLE, 26" LONG.

VIEW OF CONDUIT BOX



DASH	C
517	9.68
580	10.31
623	10.74

NO.	REVISION	BY & DATE	CHK	TOLERANCES UNLESS SPECIFIED	
				DEC.	INCHES
3	ADDED VIEW OF COND BOX INSTALL ISAAC 12-5139	WGJ 03-05-2013	DD	.X	±.1
2	CHG. LEADS FROM 6" TO 26" CN39528	RWR 08/26/2005	ML	.XX	±.03
1	ADD UL/CSA AND MOTOR NAMEPLATES, CHANGED STUDS TO OVERBOLTS CN 46061	MJK 04/29/2005		.XXX	±.005
				.XXXX	±.0005
				ANG	±7'30"


**REGAL-BELOIT CORPORATION**

TITLE OUTLINE  
48 FRAME - XP

MAT'L

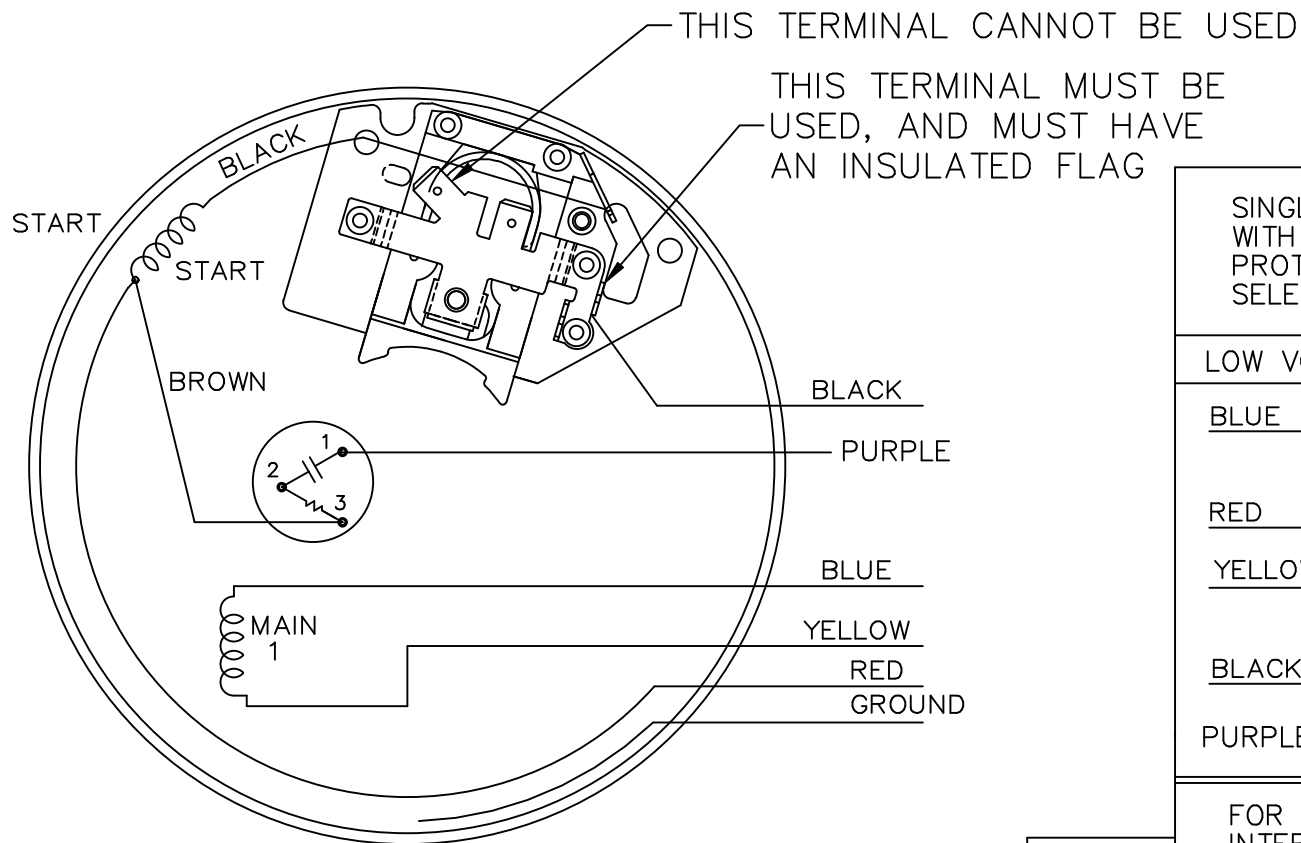
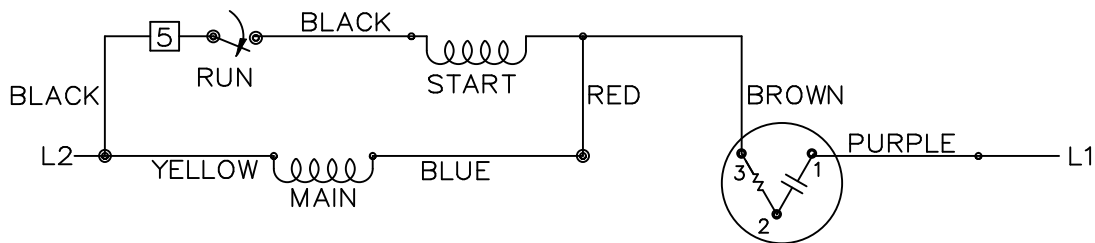
FINISH

DRAWN	RWR 03-15-2005
CHK	ML 03-18-2005
APPD	MJS 03-21-2005
SCALE	3=8
REF	A-SS403455
FMF	
PREV	

THIS DRAWING IN DESIGN AND DETAIL IS OUR PROPERTY AND MUST NOT BE USED EXCEPT IN CONNECTION WITH OUR WORK ALL RIGHTS OF DESIGN AND INVENTION ARE RESERVED THIS IS AN ELECTRONICALLY GENERATED DOCUMENT - DO NOT SCALE THIS PRINT

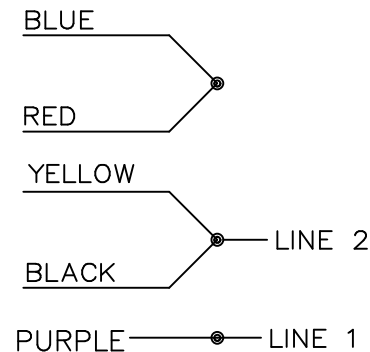
RFP	03-21-2005	CAD FILE	ss403455ge
DIST	WP		

SIZE	A	DRAWING NO.	SS403455GE	PAGE	1 OF 1	REV.	3
------	---	-------------	------------	------	--------	------	---



SINGLE VOLTAGE  
WITH OVERLOAD  
PROTECTION  
SELECT ROTATION

LOW VOLT. CCW ROT.



FOR CW ROT.  
INTERCHANGE BLUE  
WITH YELLOW LEAD.

- A-S4CU1
- A-S6A4
- A-S4A2

		TOLERANCES UNLESS SPECIFIED		MARATHON ELECTRIC		DRAWN NB 03-14-2006	
		DEC.	INCHES			CHK	VL 03-14-2006
		.X	±.1	TITLE CONNECTION DIAGRAM		APPD	VL 03-14-2006
		.XX	±.02			SCALE	5=8
		.XXX	±.005			REF	EE7116K-GE
		.XXXX	±.0005			FMF	MU71130
NO.	REVISION	BY & DATE	CHK	ANG	FINISH	PREV	
			RFP	03-16-2006	CAD FILE EE7116K	SIZE	DRAWING NO. PAGE 1 OF 1 REV.
				DIST	WP	A	EE7116K

THIS DRAWING IN DESIGN AND DETAIL IS OUR PROPERTY AND MUST NOT BE USED EXCEPT IN CONNECTION WITH OUR WORK ALL RIGHTS OF DESIGN AND INVENTION ARE RESERVED THIS IS AN ELECTRONICALLY GENERATED DOCUMENT - DO NOT SCALE THIS PRINT