

PRODUCT INFORMATION PACKET

Model No: 5KH35MNA519T
Catalog No: HG703
1/2, 1725, OPEN, 48Y, 1/60/115
Fan and Blower



Regal and Marathon are trademarks of Regal Beloit Corporation or one of its affiliated companies.

©2018 Regal Beloit Corporation, All Rights Reserved. MC017097E



Nameplate Specifications

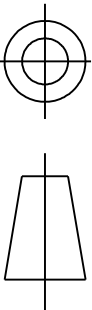
Output HP	1/2 Hp	Output KW	0.37 kW
Frequency	60 Hz	Voltage	115 V
Current	7.9 A	Speed	1725 rpm
Service Factor	1.25	Phase	1
Efficiency	65.4 %	Duty	Continuous
Insulation Class	B	KVA Code	N
Frame	48Y	Enclosure	Open Enclosed
Overload Protector	AUTO	Ambient Temperature	40 °C
Drive End Bearing Size	6203	Opp Drive End Bearing Size	6203
UL	Recognized	CSA	Yes
CE	N		

Technical Specifications

Electrical Type	Split Phase	Starting Method	SM
Poles	4	Rotation	Clockwise/Counterclockwise
Mounting	Resilient Base	Motor Orientation	ANY
Drive End Bearing	BALL	Opp Drive End Bearing	BALL
Frame Material	Rolled Steel	Overall Length	10.32 in
Frame Length	5.79 in	Shaft Diameter	0.5 in
Shaft Extension	2.25 in	Thru-bolts Extension	0
Outline Drawing	52A113024P1	Connection Diagram	52A105379AA

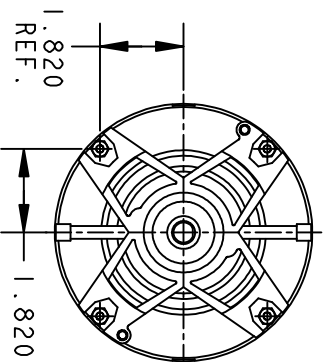
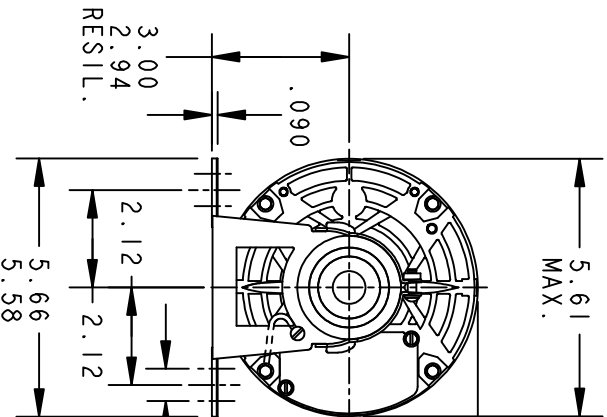
This is an uncontrolled document once printed or downloaded and is subject to change without notice. Date Created: 10/08/2018

THIRD ANGLE PROJECTION

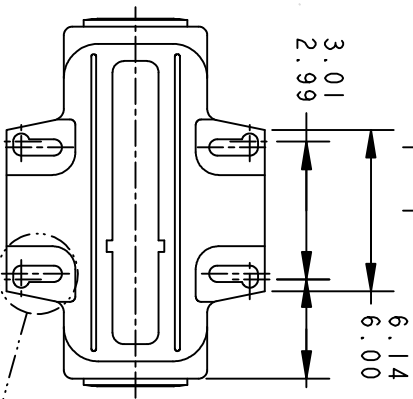
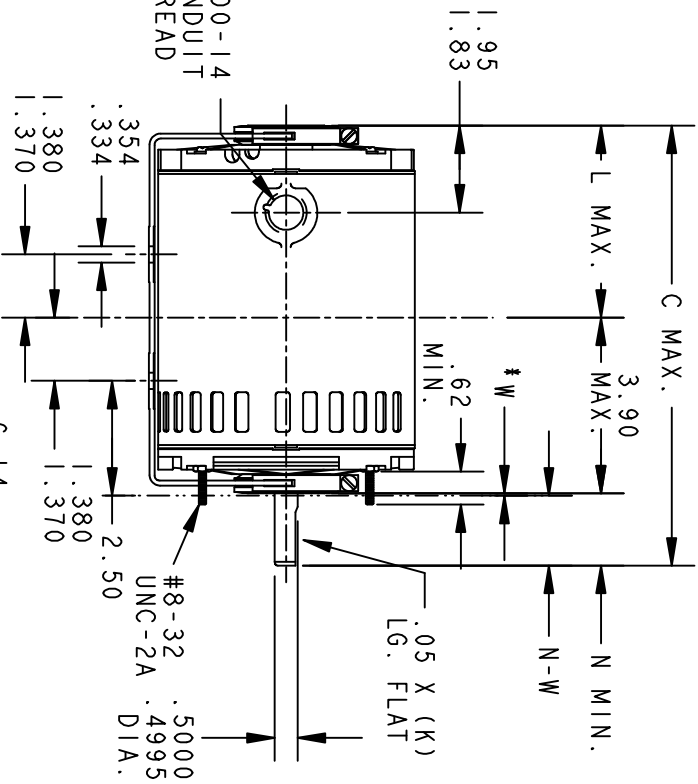


REVISIONS

REV.	DESCRIPTION	DATE	APPROVED



VIEW SHOWING P.E. VENTILATION OPENINGS



2	1	P
K KH	K KH	TYPE
32	35	RBC SIZE
48Y	48Y	NEMA FR
9.69	10.32	C
1.91	1.91	K
3.59	4.22	L
2.25	2.25	N
2.38/2.16	2.38/2.16	N-W

* IS A CLEARANCE DUE TO VARIATION IN PARTS AND ASSEMBLY.



OUTLINE

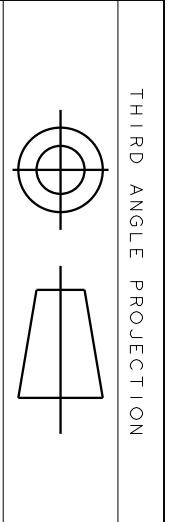
FORM N - GENERAL PURPOSE MOTOR - DRIP PROOF - RESIL. BASE - BALL OR SLEEVE BEARING - SPECIAL MOUNTING HOLES IN BASE

SIZE DRAWING 52A113024 REV O

FOR ADDITIONAL INFO REFER TO:		
APPLIED PRACTICES	QUALITY	ISSUED
DIMENSIONS ARE IN INCHES ✓	PRAVEEN.K	01/03/08
MATERIAL	SOLID MODEL: 52A113024	

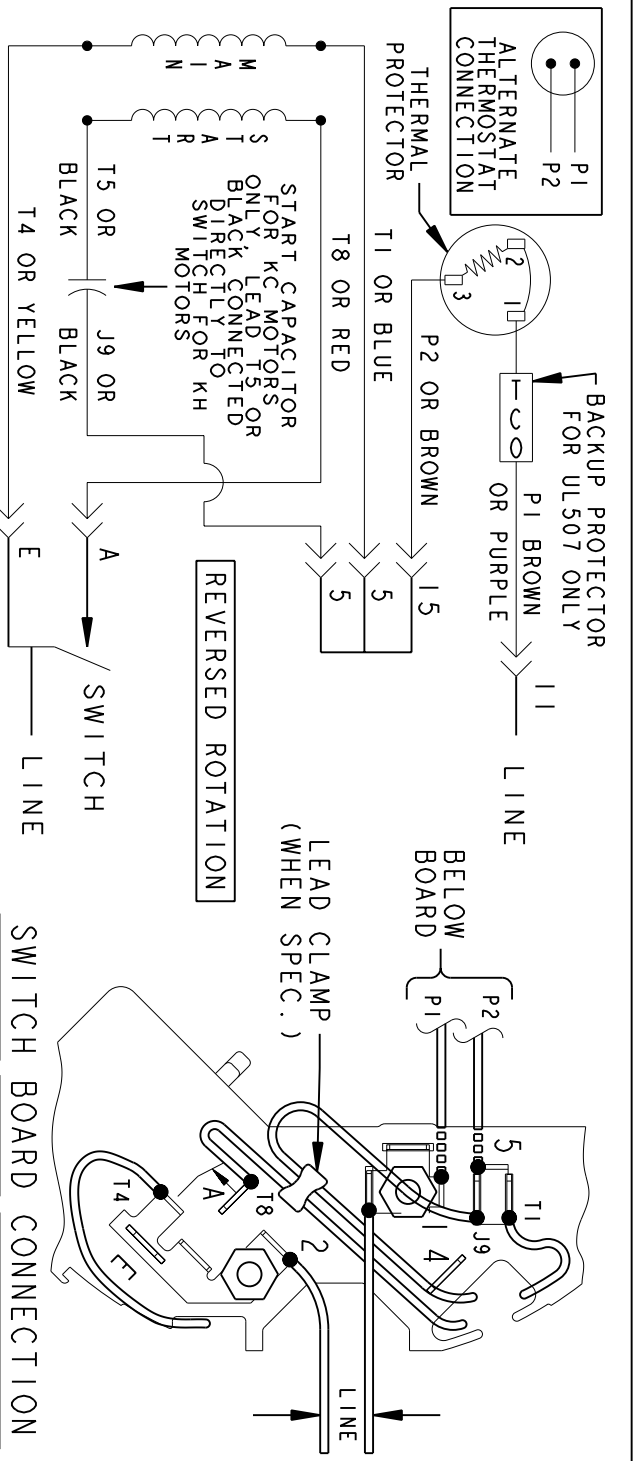
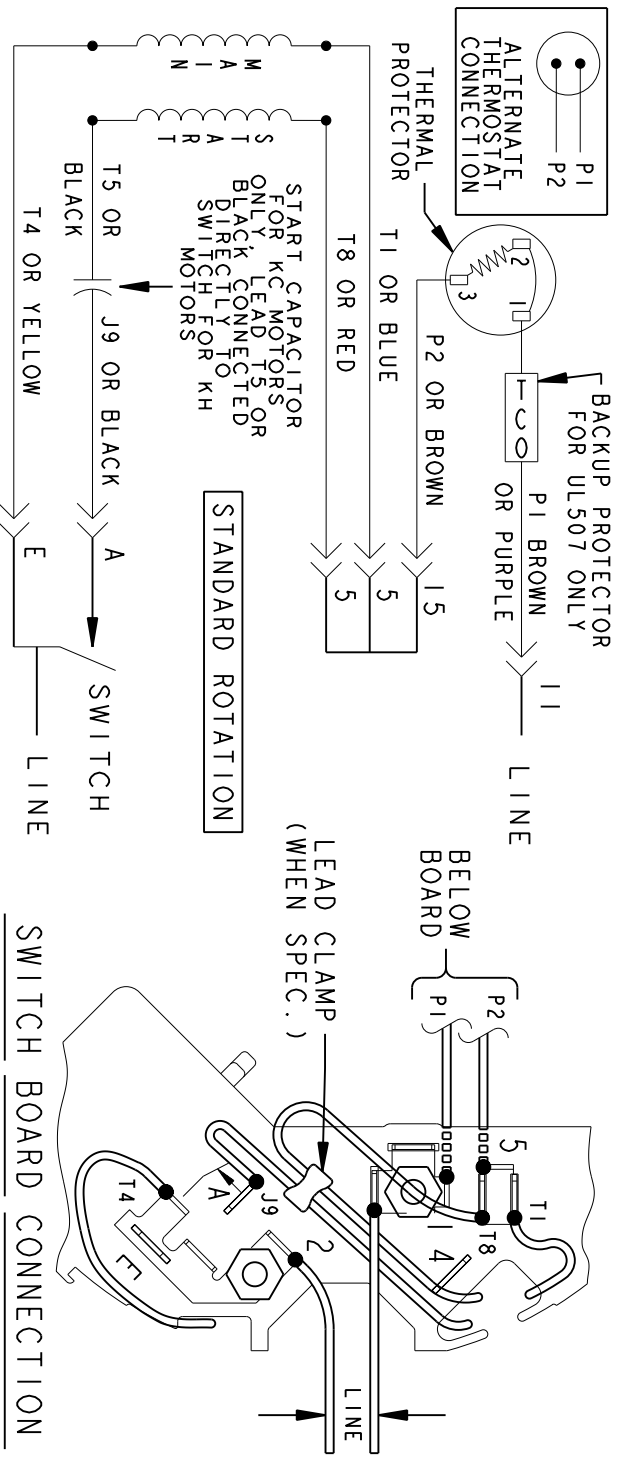
SIGNATURES		DATE	
MODEL	PRAVEEN.K	01/03/08	
DETAIL			
CHECKED			
ENGRG			
MFG			

SCALE: 1.000 REF. No.:



REV.	DESCRIPTION	DATE	APPROVED
6	UPDATED FORMAT	12/01/05	MAM

EITHER ROTATION-SINGLE VOLTAGE-TYPE KC OR KH-WITH THERMAL PROTECTOR



NOTE #1 - TO REVERSE ROTATION INTERCHANGE RED (T8) AND BLACK (J9-KC OR T5-KH) LEADS.
 NOTE #2 - WHEN MORE THAN ONE CAPACITOR IS USED CONNECT IN PARALLEL.

SWITCH (C) - 115D958AB REF. DIAG. - 121A851 CONN. LABEL - 52X332048

SIGNATURES	DATE
MODEL M.D.PAPE	06/29/87
DETAIL	
CHECKED	
ENGRG	
MFG	
QUALITY	
ISSUED	M.D.P. 03/08/00
SOLID MODEL: 52A105379AA	

REGAL-BELOIT CORPORATION

REGAL-BELOIT

TITLE: **CONNECTION DIAGRAM**

SIZE: DRAWING A

SCALE: 1.000 REF. No.:

30 FR SWITCH REDESIGN

52A105379AA

REV 6