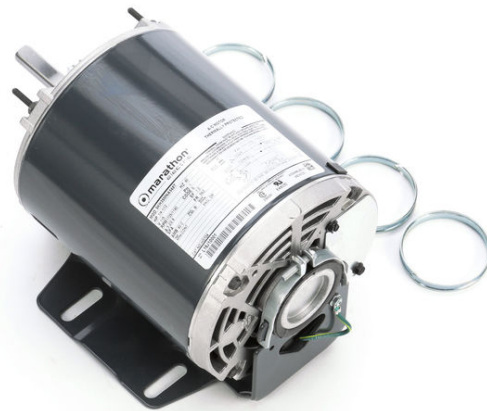


# PRODUCT INFORMATION PACKET

Model No: 5KH35MNA568T  
Catalog No: HG704  
1/4-1/12,1725/1140,DP,56Z,1/60/115  
Fan and Blower



Regal and Marathon are trademarks of Regal Beloit Corporation or one of its affiliated companies.  
©2018 Regal Beloit Corporation, All Rights Reserved. MC017097E

**Nameplate Specifications**

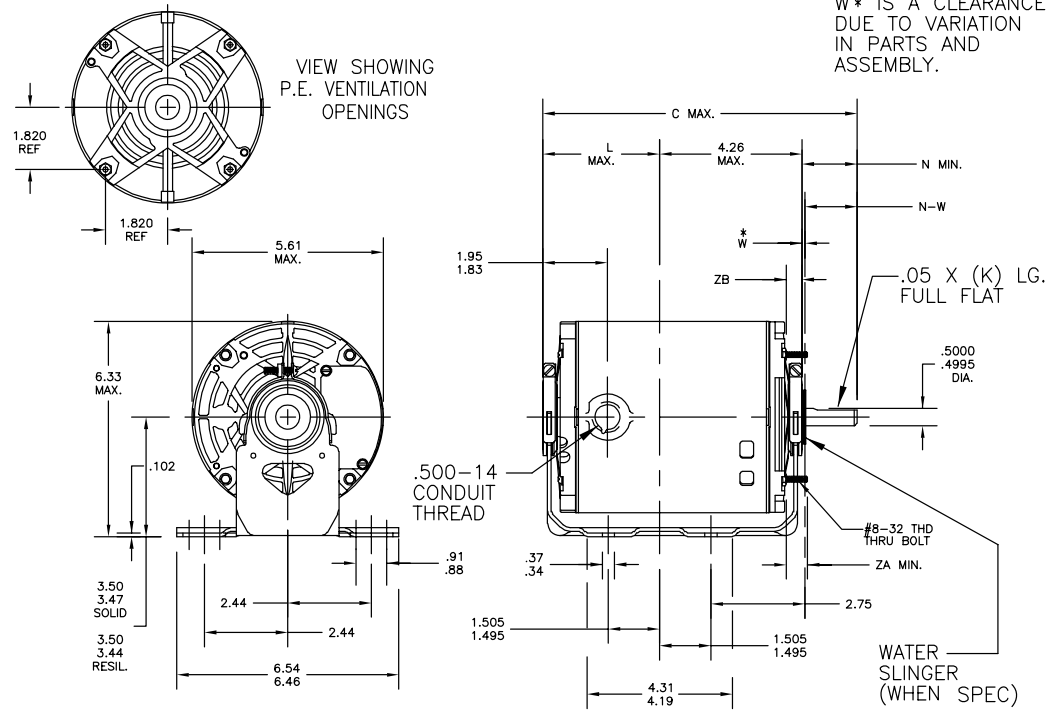
Output HP	<b>1/4-1/12 Hp</b>	Output KW	<b>0.19 kW</b>
Frequency	<b>60 Hz</b>	Voltage	<b>115 V</b>
Current	<b>5.2,2.8 A</b>	Speed	<b>1725/1140 rpm</b>
Service Factor	<b>1</b>	Phase	<b>1</b>
Efficiency	<b>56 %</b>	Duty	<b>Continuous</b>
Insulation Class	<b>B</b>	KVA Code	<b>S</b>
Frame	<b>56Z</b>	Enclosure	<b>Drip Proof</b>
Overload Protector	<b>AUTO</b>	Ambient Temperature	<b>40 °C</b>
Drive End Bearing Size	<b>6203</b>	Opp Drive End Bearing Size	<b>6203</b>
UL	<b>Recognized</b>	CSA	<b>Yes</b>
CE	<b>N</b>		

**Technical Specifications**

Electrical Type	<b>Split Phase</b>	Starting Method	<b>SM</b>
Poles	<b>4</b>	Rotation	<b>Clockwise/Counterclockwise</b>
Mounting	<b>Resilient Base</b>	Motor Orientation	<b>ANY</b>
Drive End Bearing	<b>BALL</b>	Opp Drive End Bearing	<b>BALL</b>
Frame Material	<b>Rolled Steel</b>	Overall Length	<b>10.18 in</b>
Frame Length	<b>5.79 in</b>	Shaft Diameter	<b>0.5 in</b>
Shaft Extension	<b>2 in</b>	Thru-bolts Extension	<b>0</b>
Outline Drawing	<b>52A106985P3</b>	Connection Diagram	<b>52A109225</b>

**This is an uncontrolled document once printed or downloaded and is subject to change without notice. Date Created: 10/08/2018**

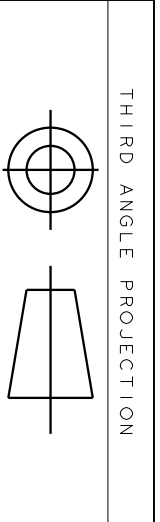
52A106985



W\* IS A CLEARANCE DUE TO VARIATION IN PARTS AND ASSEMBLY.

5	KH	38	56Z	11.61	1.50	5.23	2.00	2.13/1.91	.62	.55/.52
4	KH	33	56Z	9.19	1.16	3.48	1.50	1.63/1.41	.15	.55/.52
3	KH	35	56Z	10.18	1.50	3.80	2.00	2.13/1.91	.62	.55/.52
2	KH	37	56Z	11.01	1.50	4.63	2.00	2.13/1.91	.62	.55/.52
1	KH	33	56Z	9.19	1.16	3.48	1.50	1.63/1.41	.62	.55/.52
P	TYPE	RBC SIZE	NEMA FR	C	K	L	N	N-W	ZA	ZB

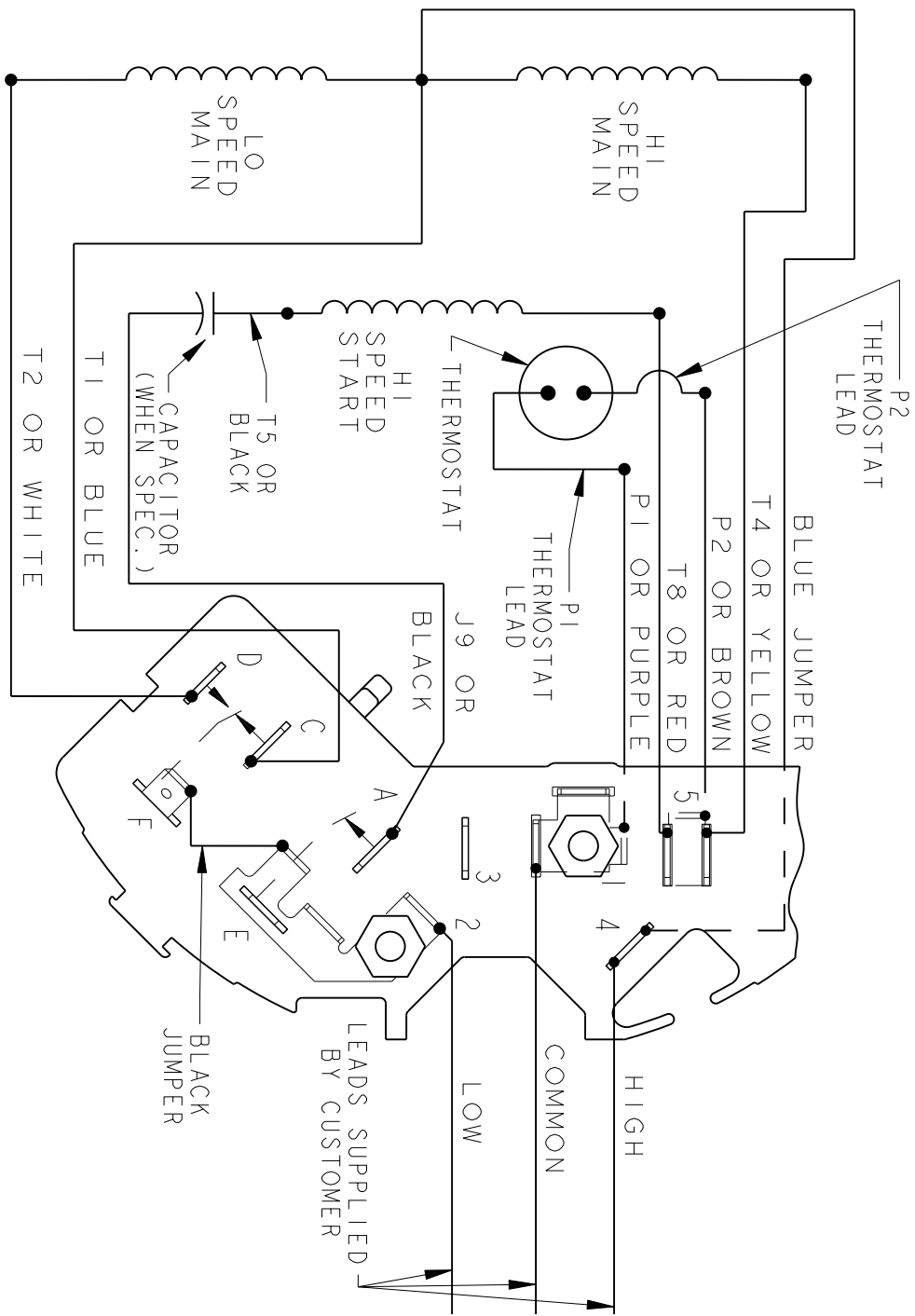
				TOLERANCES UNLESS SPECIFIED				DRAWN MAM 10/14/89			
				DEC.		INCHES		CHK			
				.X		±0.1		APPD DS 09/03/2014			
				.XX		±0.02		TITLE			
J ECS DIMENSIONS ADDED PER ECO-0059212				JAH 09/3/2014		DS		OUTLINE			
8 CHG. TO RBC FORMAT PER ISO5-1777				ARC 02/15/06		ARC		FORM N - GENERAL PURPOSE MOTOR -DRIP			
NO. REVISION				BY & DATE		CHK ANG		SCALE 1=1			
						.XXXX		REF			
						±1.0		FMF			
						FINISH		PREV			
THIS DRAWING IN DESIGN AND DETAIL IS OUR PROPERTY AND MUST NOT BE USED EXCEPT IN CONNECTION WITH OUR WORK ALL RIGHTS OF DESIGN AND INVENTION ARE RESERVED THIS IS AN ELECTRONICALLY GENERATED DOCUMENT - DO NOT SCALE THIS PRINT				RFP		CAD FILE		52A106985		SIZE DRAWING NO.	
				DIST				A		52A106985	
										REV. J	



THIRD ANGLE PROJECTION

REV.	DESCRIPTION	DATE	APPROVED
3	UPDATED TO RBC FORMAT	01/12/06	MAM

EITHER ROTATION  
SINGLE VOLTAGE  
TYPE KC OR KH  
WITH THERMOSTAT - 2 SPEED  
POLE CHANGING - SERIES CONNECTION



NOTE #1 - WHEN MORE THAN ONE CAPACITOR IS USED CONNECT IN PARALLEL.

NOTE #2 - TO REVERSE ROTATION, INTERCHANGE RED (T8) AND BLACK (J9-KC OR T5-KH) LEADS.

SWITCH - 115D958CC

REF. DIAG. - NONE

CONNECTION LABEL - 52X333093

SIGNATURES	DATE
MODEL M.D.P.	04/13/94
DETAIL	
CHECKED	
ENGRG	
MFG	
FOR ADDITIONAL INFO REFER TO:	
APPLIED PRACTICES	QUALITY
DIMENSIONS ARE IN INCHES	ISSUED
	M.D.P.
	04/13/94
	SOLID MODEL: 52A109225



REGAL-BELOFT CORPORATION

TITLE CONNECTION DIAGRAM

FMF:

SIZE DRAWING	A	SCALE: 1.000	REF. No.:	
REV	3	SHEET	1 of 1	