

PRODUCT INFORMATION PACKET

Model No: 5KH36PNB171
Catalog No: HG458
1/4, 1725, EPNV, 48, 1/60/115
Explosion Proof



Regal and Marathon are trademarks of Regal Beloit Corporation or one of its affiliated companies.
©2018 Regal Beloit Corporation, All Rights Reserved. MC017097E



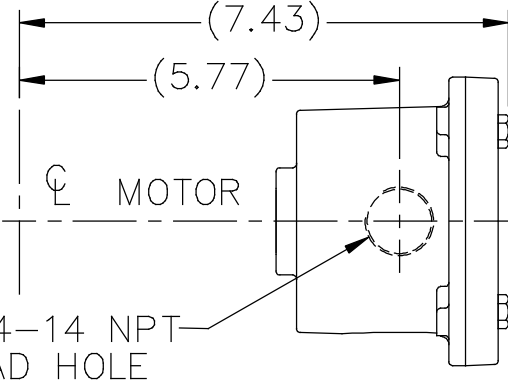
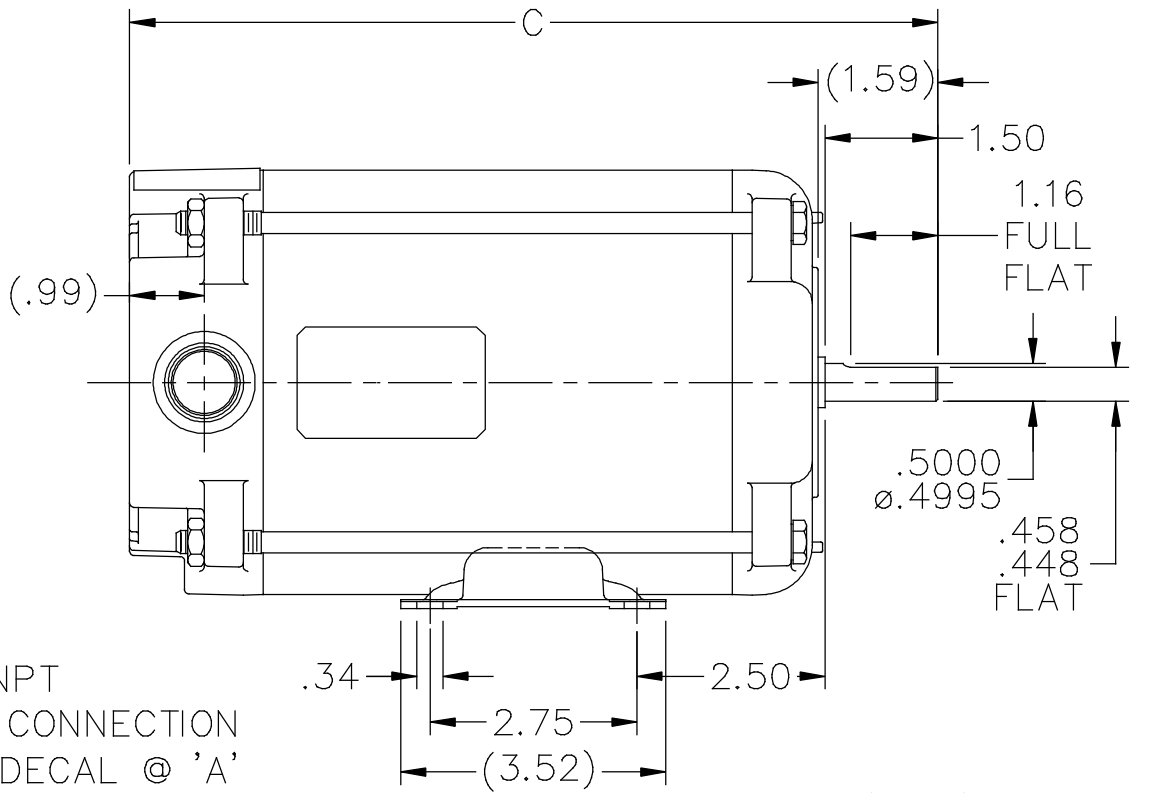
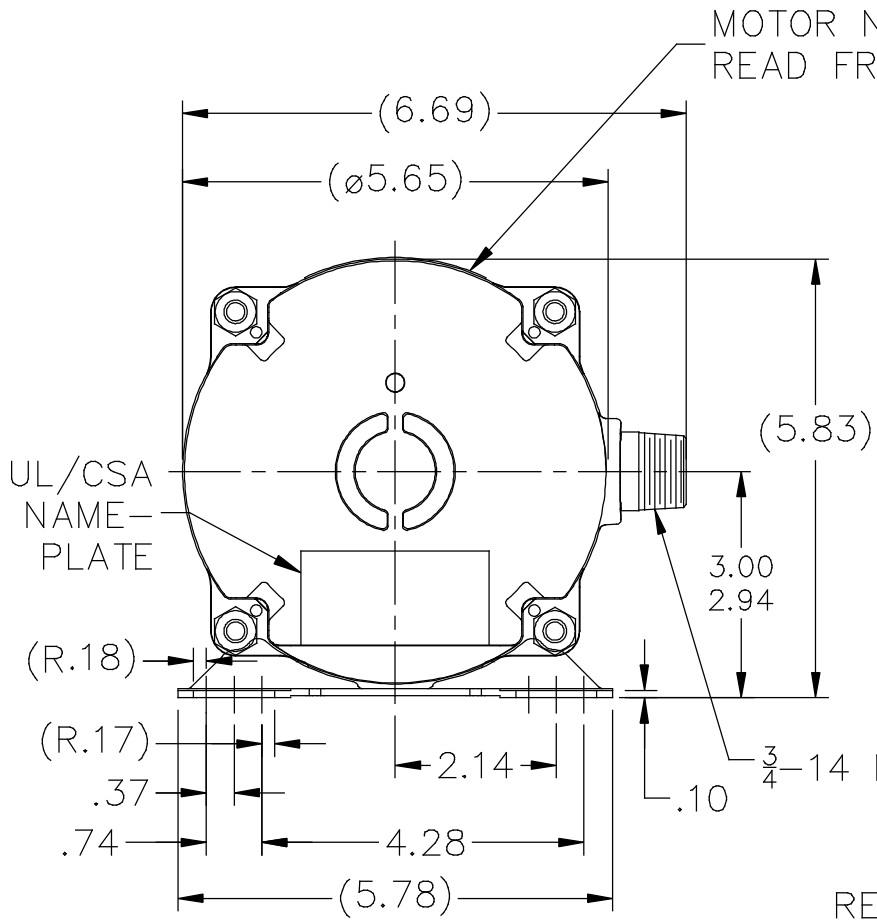
Nameplate Specifications

Output HP	0.25 Hp	Output KW	0.19 kW
Frequency	60 Hz	Voltage	115 V
Current	4.4 A	Speed	1725 rpm
Service Factor	1	Phase	1
Efficiency	59.5 %	Duty	Continuous
Insulation Class	A	Design Code	NO DESIGN CODE
KVA Code	N	Frame	48
Enclosure	Explosion Proof Non Ventilated	Overload Protector	Automatic
Ambient Temperature	40 °C	Drive End Bearing Size	6203
Opp Drive End Bearing Size	6203	UL	Recognized (Not Protector)
CSA	N	CE	N
IP Code	54		

Technical Specifications

Electrical Type	Split Phase	Starting Method	Across The Line
Poles	4	Rotation	Selective Counterclockwise
Mounting	Rigid Base	Motor Orientation	Horizontal
Drive End Bearing	Ball	Opp Drive End Bearing	Ball
Frame Material	Rolled Steel	Shaft Type	T
Overall Length	10.74 in	Frame Length	6.23 in
Shaft Diameter	0.500 in	Shaft Extension	1.59 in
Assembly/Box Mounting	F1 Only		
Outline Drawing	A-SS403455GE-623	Connection Diagram	A-EE7116K-GE


This is an uncontrolled document once printed or downloaded and is subject to change without notice. Date Created: 10/08/2018

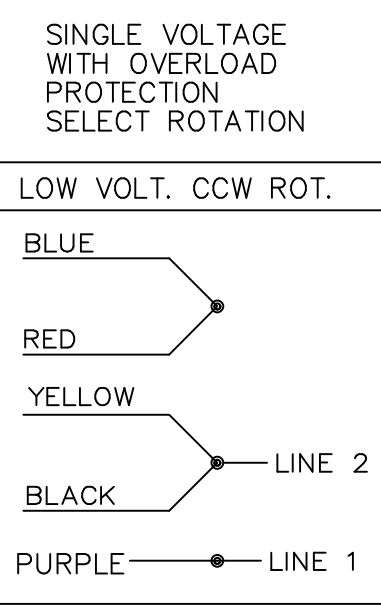
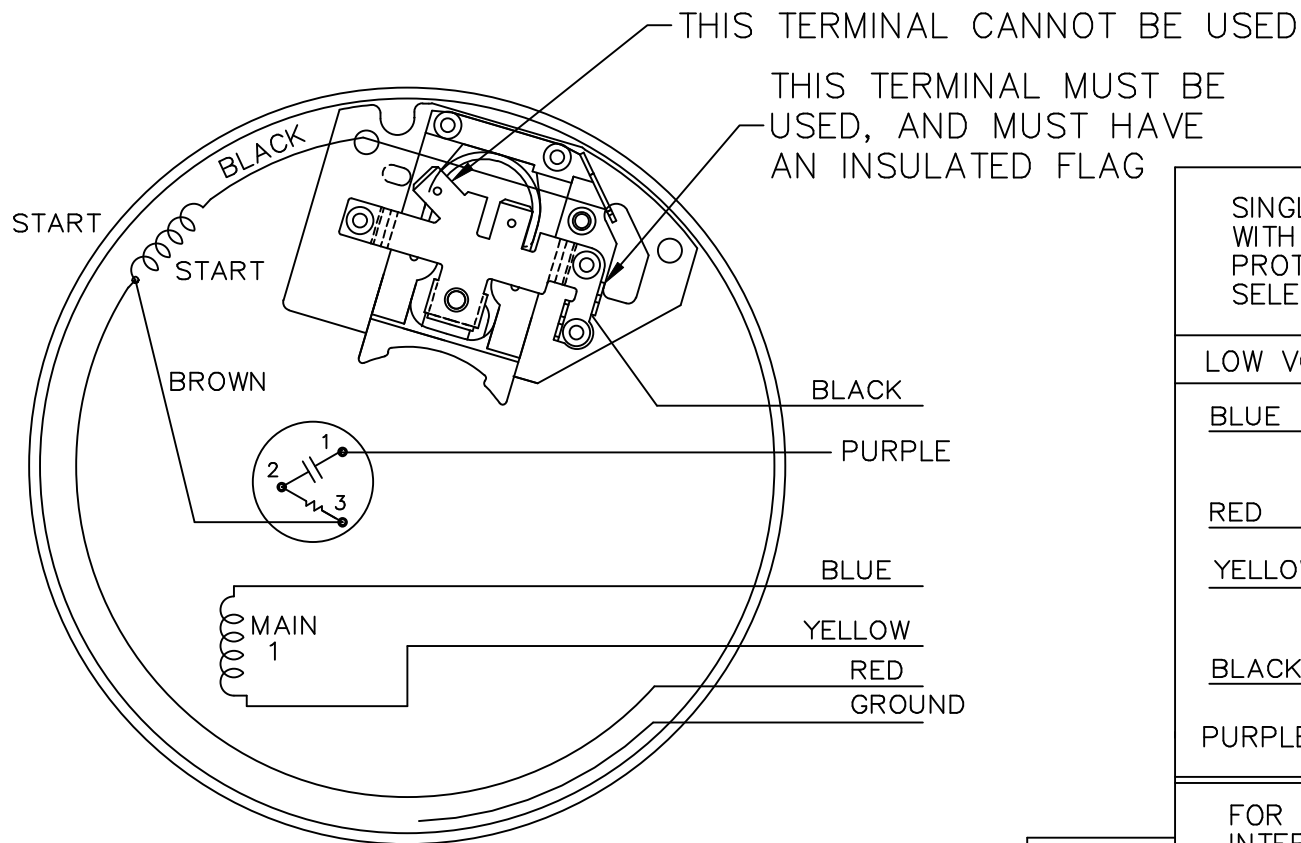
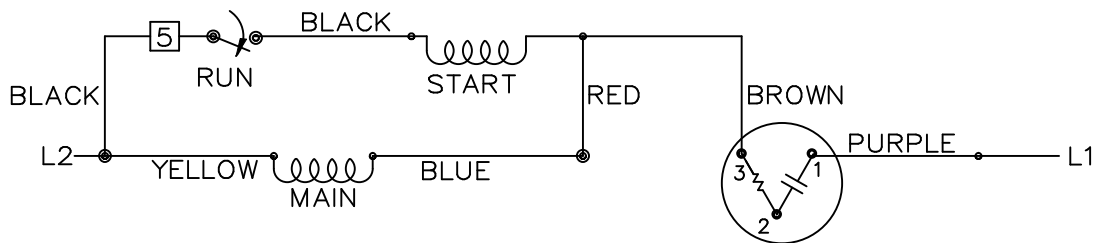


LEAD DESCRIPTION: 1 BLACK, 1 PURPLE, 1 BLUE, 1 GREEN, 1 YELLOW, AND 1 RED ALL EXITING A SEALED PIPE NIPPLE, 26" LONG.

DASH	C
517	9.68
580	10.31
623	10.74

VIEW OF CONDUIT BOX

NO.	REVISION	BY & DATE	CHK	TOLERANCES UNLESS SPECIFIED		FINISH	DRAWN RWR 03-15-2005			
				DEC.	INCHES					
3	ADDED VIEW OF COND BOX INSTALL ISAAC 12-5139	WGJ 03-05-2013	DD	.X	±.1	 REGAL-BELOIT CORPORATION TITLE OUTLINE 48 FRAME - XP MAT'L 3/4-14 NPT LEAD HOLE	CHK ML 03-18-2005			
2	CHG. LEADS FROM 6" TO 26" CN39528	RWR 08/26/2005	ML	.XX	±.03		APPD MJS 03-21-2005			
1	ADD UL/CSA AND MOTOR NAMEPLATES, CHANGED	MJK 04/29/2005		.XXX	±.005		TITLE OUTLINE 48 FRAME - XP	SCALE 3=8		
	STUDS TO OVERBOLTS CN 46061			.XXXX	±.0005		MAT'L	REF A-SS403455		
				.XXX	±.005			FMF		
				ANG	±7'30"		PREV			
THIS DRAWING IN DESIGN AND DETAIL IS OUR PROPERTY AND MUST NOT BE USED EXCEPT IN CONNECTION WITH OUR WORK ALL RIGHTS OF DESIGN AND INVENTION ARE RESERVED THIS IS AN ELECTRONICALLY GENERATED DOCUMENT - DO NOT SCALE THIS PRINT				RFP	03-21-2005	CAD FILE ss403455ge	SIZE A	DRAWING NO. SS403455GE	PAGE 1 OF 1	REV. 3
				DIST	WP	3 of 4				



- A-S4CU1
- A-S6A4
- A-S4A2

		TOLERANCES UNLESS SPECIFIED		MARATHON ELECTRIC		DRAWN NB 03-14-2006	
		DEC.	INCHES			CHK	VL 03-14-2006
		.X	±.1	TITLE CONNECTION DIAGRAM		APPD	VL 03-14-2006
		.XX	±.02			SCALE	5=8
		.XXX	±.005			REF	EE7116K-GE
		.XXXX	±.0005			FMF	MU71130
		.XXXX	±.0005			PREV	
NO.	REVISION	BY & DATE	CHK	ANG	FINISH	DRAWING NO. PAGE 1 OF 1	
			RFP	03-16-2006	CAD FILE EE7116K	SIZE	REV.
			DIST	WP		A	EE7116K

THIS DRAWING IN DESIGN AND DETAIL IS OUR PROPERTY AND MUST NOT BE USED EXCEPT IN CONNECTION WITH OUR WORK ALL RIGHTS OF DESIGN AND INVENTION ARE RESERVED THIS IS AN ELECTRONICALLY GENERATED DOCUMENT - DO NOT SCALE THIS PRINT