

PRODUCT INFORMATION PACKET

Model No: 5KH37PNA569T
Catalog No: HG706
1/3-1/8,1725/1140,DP,56Z,1/60/115
Fan and Blower



Regal and Marathon are trademarks of Regal Beloit Corporation or one of its affiliated companies.
©2018 Regal Beloit Corporation, All Rights Reserved. MC017097E

Product Information Packet: Model No: 5KH37PNA569T, Catalog No:HG706 1/3-1/8,1725/1140,DP,56Z,1/60/115

Nameplate Specifications

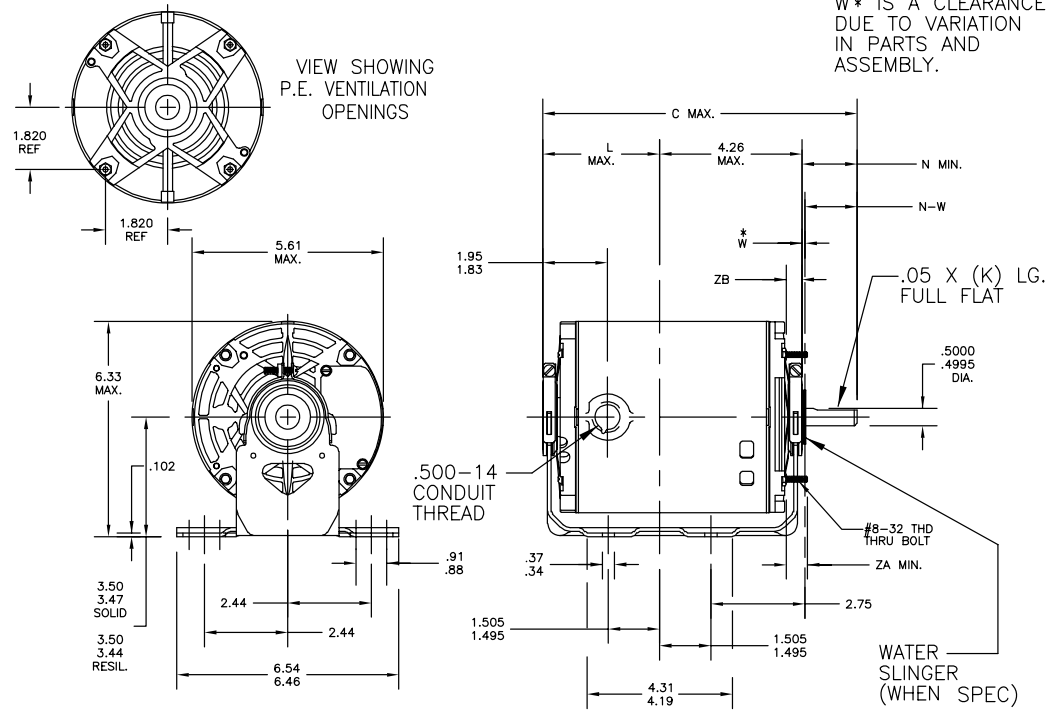
Output HP	1/3-1/8 Hp	Output KW	0.25 kW
Frequency	60 Hz	Voltage	115 V
Current	6.0,3.8 A	Speed	1725/1140 rpm
Service Factor	1	Phase	1
Efficiency	58.6 %	Duty	Continuous
Insulation Class	B	KVA Code	R
Frame	56Z	Enclosure	Drip Proof
Overload Protector	AUTO	Ambient Temperature	40 °C
Drive End Bearing Size	6203	Opp Drive End Bearing Size	6203
UL	Recognized	CSA	Yes
CE	N		

Technical Specifications

Electrical Type	Split Phase	Starting Method	SM
Poles	4	Rotation	Clockwise/Counterclockwise
Mounting	Resilient Base	Motor Orientation	ANY
Drive End Bearing	BALL	Opp Drive End Bearing	BALL
Frame Material	Rolled Steel	Overall Length	11.01 in
Frame Length	6.62 in	Shaft Diameter	0.5 in
Shaft Extension	2 in	Thru-bolts Extension	0
Outline Drawing	52A106985P2	Connection Diagram	52A109225

This is an uncontrolled document once printed or downloaded and is subject to change without notice. Date Created: 10/08/2018

52A106985



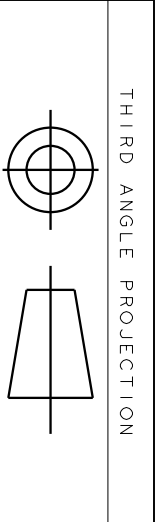
W* IS A CLEARANCE DUE TO VARIATION IN PARTS AND ASSEMBLY.

5	KH	38	56Z	11.61	1.50	5.23	2.00	2.13/1.91	.62	.55/.52
4	KH	33	56Z	9.19	1.16	3.48	1.50	1.63/1.41	.15	.55/.52
3	KH	35	56Z	10.18	1.50	3.80	2.00	2.13/1.91	.62	.55/.52
2	KH	37	56Z	11.01	1.50	4.63	2.00	2.13/1.91	.62	.55/.52
1	KH	33	56Z	9.19	1.16	3.48	1.50	1.63/1.41	.62	.55/.52
P	TYPE	RBC SIZE	NEMA FR	C	K	L	N	N-W	ZA	ZB

				TOLERANCES UNLESS SPECIFIED				DRAWN MAM 10/14/89					
				DEC.		INCHES		CHK					
				.X		±0.1		APPD DS 09/03/2014					
				.XX		±0.02		SCALE 1=1					
J	ECS DIMENSIONS ADDED PER ECO-0059212			JAH	09/3/2014		DS	.XXX		±0.005		REF	
8	CHG. TO RBC FORMAT PER ISO5-1777			ARC	02/15/06		ARC	.XXXX		±0.0005		FMF	
NO.	REVISION			CHK	BY & DATE		ANG	±1.0		FINISH		PREV	
THIS DRAWING IN DESIGN AND DETAIL IS OUR PROPERTY AND MUST NOT BE USED EXCEPT IN CONNECTION WITH OUR WORK ALL RIGHTS OF DESIGN AND INVENTION ARE RESERVED THIS IS AN ELECTRONICALLY GENERATED DOCUMENT - DO NOT SCALE THIS PRINT				RFP	CAD FILE				52A106985		SIZE	DRAWING NO.	REV.
				DIST				A		52A106985		J	



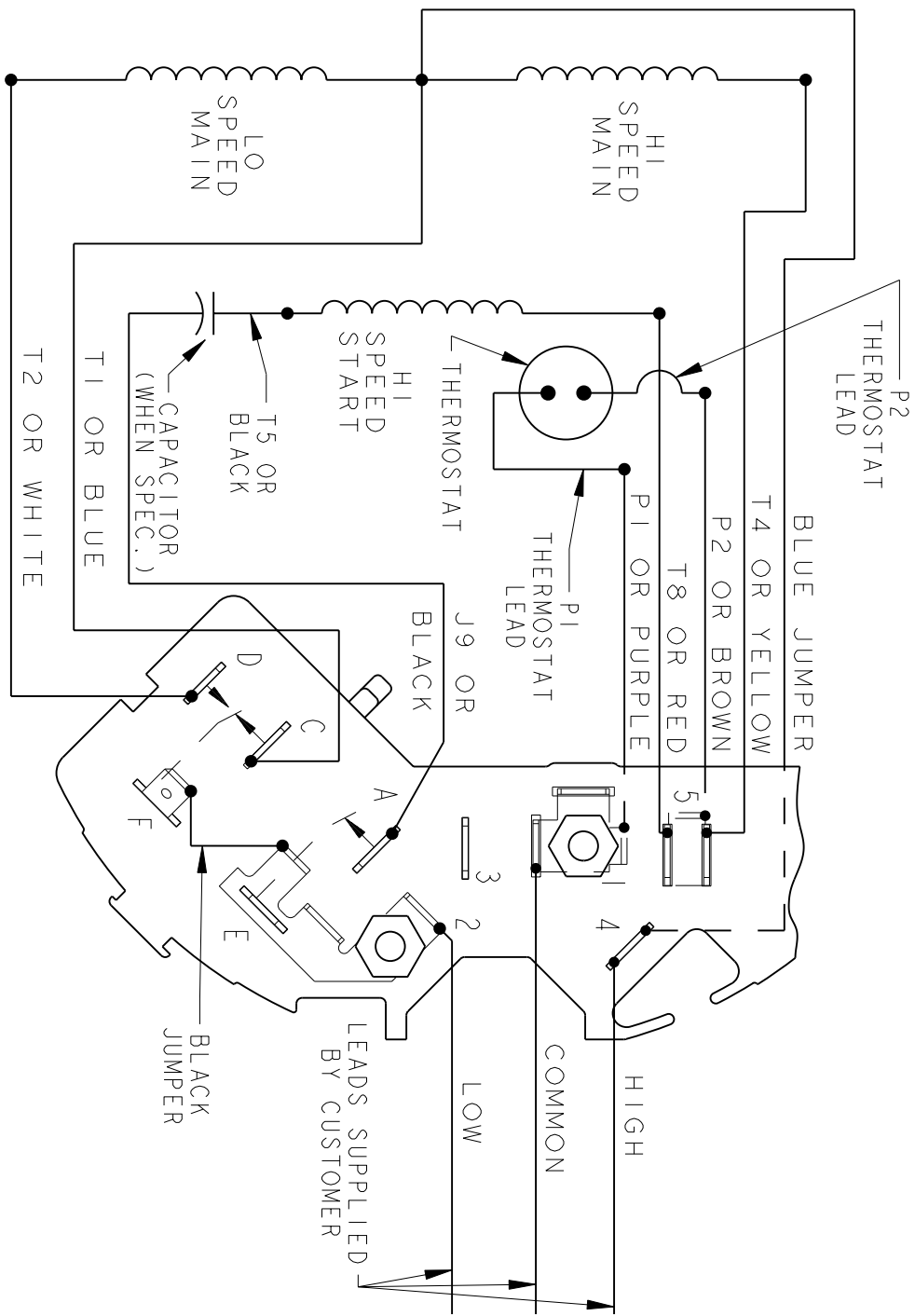
TITLE OUTLINE
FORM N - GENERAL PURPOSE MOTOR -DRIP



THIRD ANGLE PROJECTION

REV.	DESCRIPTION	DATE	APPROVED
3	UPDATED TO RBC FORMAT	01/12/06	MAM

EITHER ROTATION
SINGLE VOLTAGE
TYPE KC OR KH
WITH THERMOSTAT - 2 SPEED
POLE CHANGING - SERIES CONNECTION



NOTE #1 - WHEN MORE THAN ONE CAPACITOR IS USED CONNECT IN PARALLEL.

NOTE #2 - TO REVERSE ROTATION, INTERCHANGE RED (T8) AND BLACK (J9-KC OR T5-KH) LEADS.

SWITCH - 115D958CC

REF. DIAG. - NONE

CONNECTION LABEL - 52X333093

SIGNATURES	DATE
MODEL M.D.P.	04/13/94
DETAIL	
CHECKED	
ENGRG	
MFG	
FOR ADDITIONAL INFO REFER TO:	
APPLIED PRACTICES	QUALITY
DIMENSIONS ARE IN INCHES	ISSUED
	M.D.P.
	04/13/94
	SOLID MODEL: 52A109225



REGAL-BELOFT CORPORATION

TITLE CONNECTION DIAGRAM

FMF:

SIZE DRAWING	A	SCALE: 1.000	REF. No.:		SHEET 1 of 1
REV	3	52A109225			