

# PRODUCT INFORMATION PACKET

Model No: 5KH39QN5514T  
Catalog No: 4706  
1/3,1725,OPEN,48Y,1/60/115  
Fan and Blower



Regal and Marathon are trademarks of Regal Beloit Corporation or one of its affiliated companies.  
©2018 Regal Beloit Corporation, All Rights Reserved. MC017097E

**Nameplate Specifications**

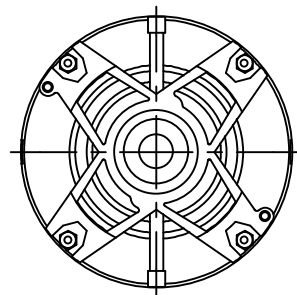
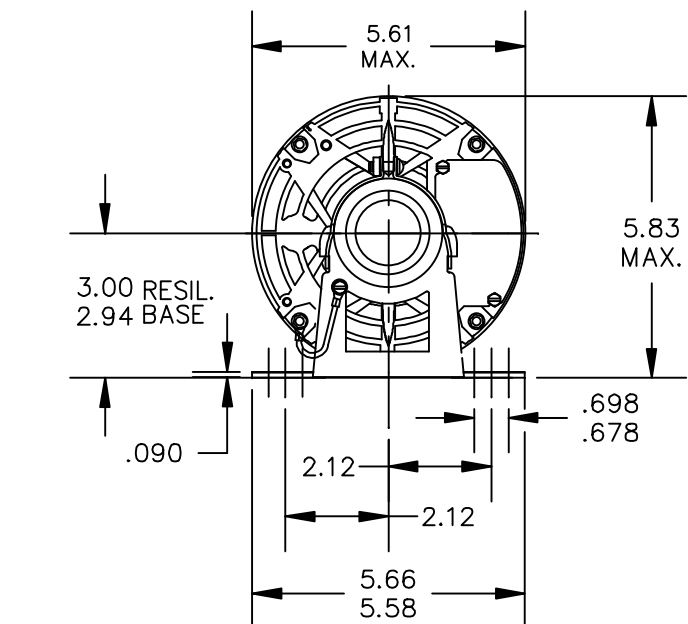
Output HP	<b>1/3 Hp</b>	Output KW	<b>0.25 kW</b>
Frequency	<b>60 Hz</b>	Voltage	<b>115 V</b>
Current	<b>6.6 A</b>	Speed	<b>1725 rpm</b>
Service Factor	<b>1.35</b>	Phase	<b>1</b>
Efficiency	<b>58.2 %</b>	Duty	<b>Continuous</b>
Insulation Class	<b>B</b>	KVA Code	<b>N</b>
Frame	<b>48Y</b>	Enclosure	<b>Open Enclosed</b>
Overload Protector	<b>AUTO</b>	Ambient Temperature	<b>40 °C</b>
Drive End Bearing Size	<b>6203</b>	Opp Drive End Bearing Size	<b>6203</b>
UL	<b>Recognized</b>	CSA	<b>Yes</b>
CE	<b>N</b>		

**Technical Specifications**

Electrical Type	<b>Split Phase</b>	Starting Method	<b>SM</b>
Poles	<b>4</b>	Rotation	<b>Counterclockwise/Clockwise</b>
Mounting	<b>Resilient Base</b>	Motor Orientation	<b>ANY</b>
Drive End Bearing	<b>BALL</b>	Opp Drive End Bearing	<b>BALL</b>
Frame Material	<b>Rolled Steel</b>	Overall Length	<b>8.94 in</b>
Frame Length	<b>5.41 in</b>	Shaft Diameter	<b>0.5 in</b>
Shaft Extension	<b>1.5 in</b>	Thru-bolts Extension	<b>0</b>
Outline Drawing	<b>52A111771P3</b>	Connection Diagram	<b>52A105379AA</b>

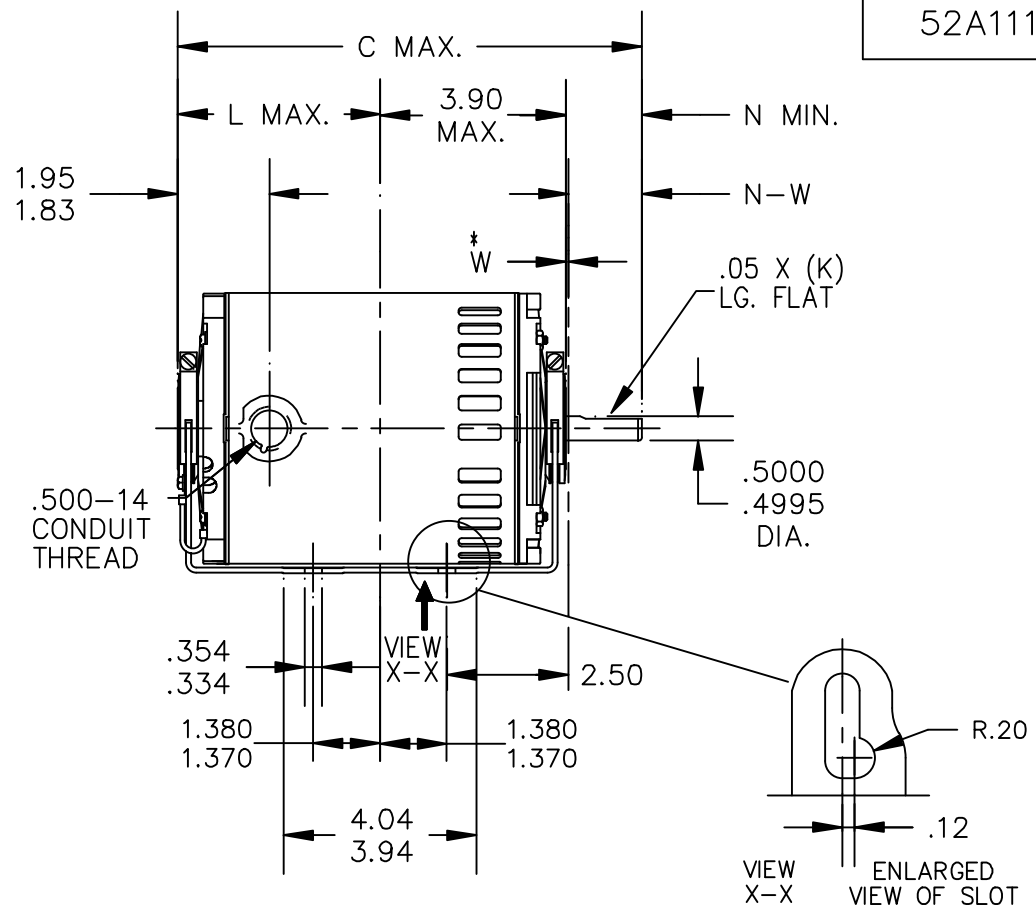
**This is an uncontrolled document once printed or downloaded and is subject to change without notice. Date Created: 10/08/2018**

52A111771



VIEW SHOWING P.E. VENTILATION OPENINGS

W\* IS A CLEARANCE DUE TO VARIATION IN PARTS AND ASSEMBLY.



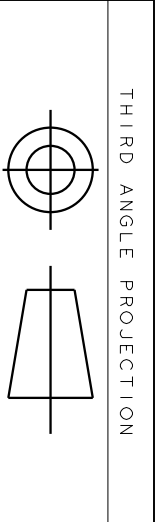
4	K	KH	32	48Y	8.94	1.25	3.59	1.50	1.63/1.41
3	K	KH	33	48Y	9.19	1.16	3.84	1.50	1.63/1.41
2	K	KH	32	48Y	8.94	1.16	3.59	1.50	1.63/1.41
1	K	KH	35	48Y	9.57	1.16	4.22	1.50	1.63/1.41
P	TYPE	RBC SIZE	NEMA FR	C	K	L	N	N-W	

NO.	REVISION	BY & DATE	CHK	TOLERANCES UNLESS SPECIFIED		FINISH	CAD FILE	SIZE	DRAWING NO.	REV.
				DEC.	INCHES					
3	CHG GD LD 4:30 TO 7:30 PER IS11-0510 & REDRAWN IN DRAFT SIGHT	UD 9/24/12	PKG	.X	±0.1					
2	ADDED P4 PER IS10 - 2231	PN 9/16/10		.XX	±0.02					
1	GROUND LEAD ADDED PER IS07-0531	BM 10/26/07		.XXX	±0.005					
				.XXXX	±0.0005					
				ANG	±1.0					
THIS DRAWING IN DESIGN AND DETAIL IS OUR PROPERTY AND MUST NOT BE USED EXCEPT IN CONNECTION WITH OUR WORK ALL RIGHTS OF DESIGN AND INVENTION ARE RESERVED THIS IS AN ELECTRONICALLY GENERATED DOCUMENT - DO NOT SCALE THIS PRINT						RFP	52A111771	A	52A111771	3
						DIST				



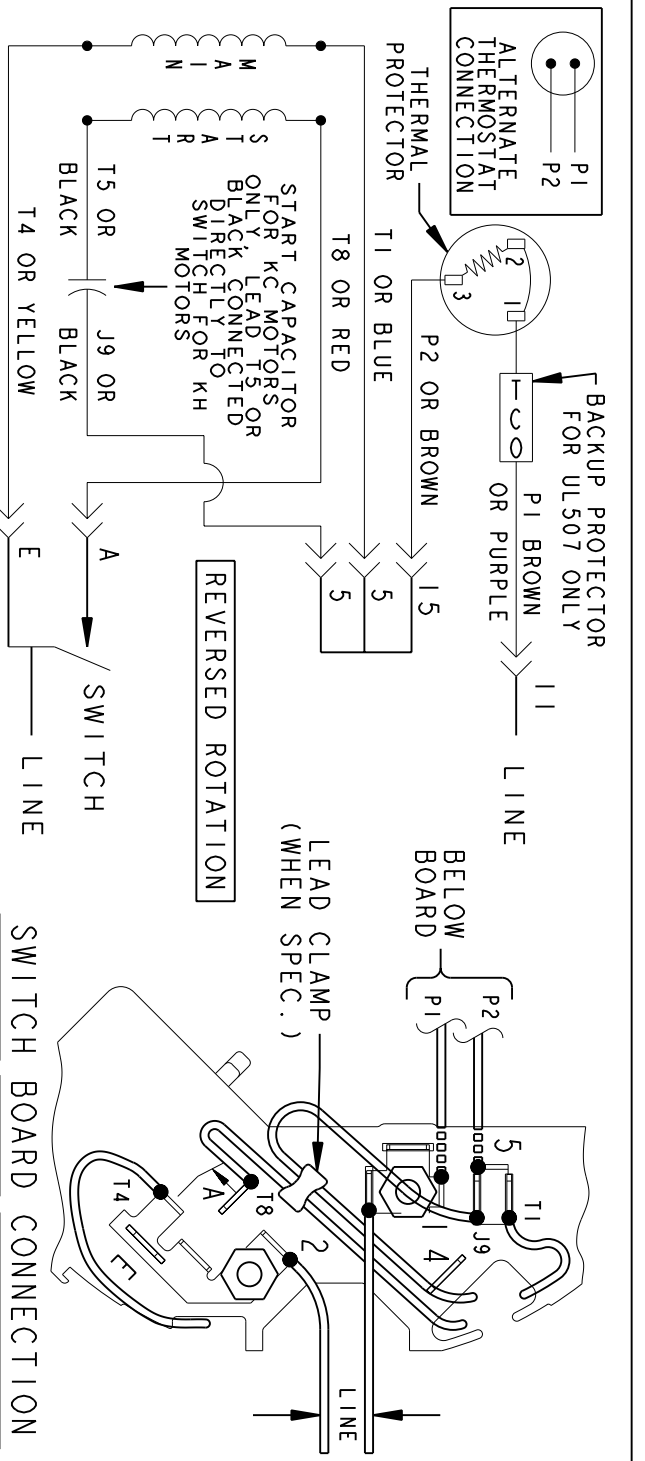
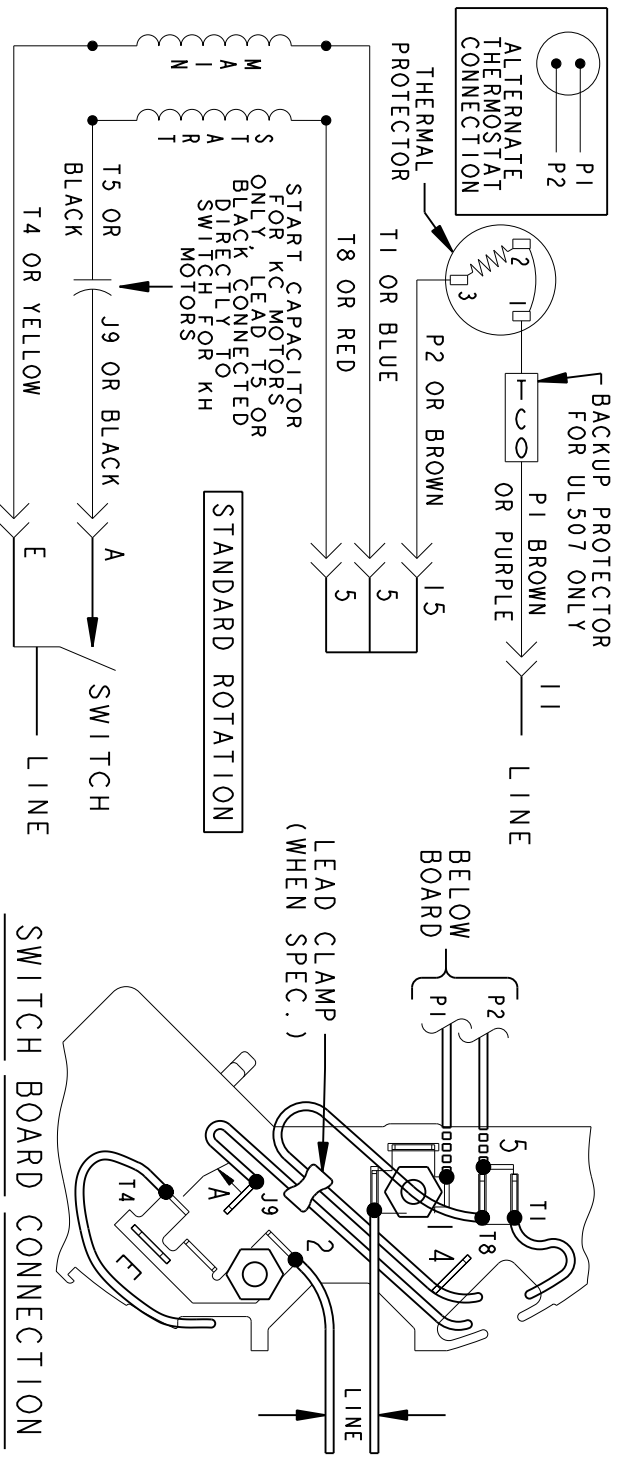
TITLE: OUTLINE  
DRIP PROOF RESIL. BASE

DRAWN DS 02/26/07  
CHK  
APPD DS 02/26/07  
SCALE 1=1  
REF  
FMF  
PREV



REVISIONS		DATE	APPROVED
REV.	DESCRIPTION		
6	UPDATED FORMAT	12/01/05	MAM

EITHER ROTATION-SINGLE VOLTAGE-TYPE KC OR KH-WITH THERMAL PROTECTOR



NOTE #1 - TO REVERSE ROTATION INTERCHANGE RED (T8) AND BLACK (J9-KC OR T5-KH) LEADS.  
 NOTE #2 - WHEN MORE THAN ONE CAPACITOR IS USED CONNECT IN PARALLEL.

SWITCH (C) - 115D958AB REF. DIAG. - 121A851 CONN. LABEL - 52X332048

SIGNATURES	DATE
MODEL M.D.PAPE	06/29/87
DETAIL	
CHECKED	
ENGRG	
MFG	
QUALITY	
ISSUED	M.D.P. 03/08/00
SOLID MODEL: 52A105379AA	

**REGAL-BELOIT CORPORATION**

**REGAL-BELOIT**

**CONNECTION DIAGRAM**

**FMF - 30 FR SWITCH REDESIGN**

SCALE: 1.000 REF. No.: .

52A105379AA

REV 6

SHEET 1 of 1