

PRODUCT INFORMATION PACKET

Model No: 5KH39QN5524
Catalog No: 4377
1/3,1725,DP,56Z,1/60/115
Open Drip Proof (ODP)



Regal and Marathon are trademarks of Regal Beloit Corporation or one of its affiliated companies.
©2018 Regal Beloit Corporation, All Rights Reserved. MC017097E



Nameplate Specifications

Output HP	1/3 Hp	Output KW	0.25 kW
Frequency	60 Hz	Voltage	115 V
Current	6.2 A	Speed	1725 rpm
Service Factor	1	Phase	1
Efficiency	59.5 %	Duty	Continous
Insulation Class	B	KVA Code	T
Frame	56Z	Enclosure	Drip Proof
Overload Protector	N/R	Ambient Temperature	40 °C
Drive End Bearing Size	6203	Opp Drive End Bearing Size	6203
UL	Recognized	CSA	Yes
CE	N		

Technical Specifications

Electrical Type	Split Phase	Starting Method	SM
Poles	4	Rotation	Counterclockwise/Clockwise
Mounting	Resilient Base	Motor Orientation	ANY
Drive End Bearing	BALL	Opp Drive End Bearing	BALL
Frame Material	Rolled Steel	Overall Length	9.19 in
Frame Length	5.41 in	Shaft Diameter	0.5 in
Shaft Extension	1.5 in		
Outline Drawing	52A106942P1	Connection Diagram	52A105377AA

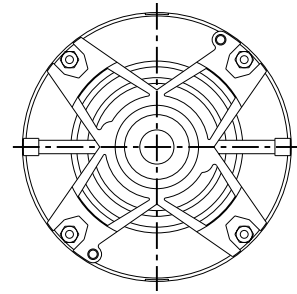
This is an uncontrolled document once printed or downloaded and is subject to change without notice. Date Created: 10/08/2018

THIRD ANGLE PROJECTION

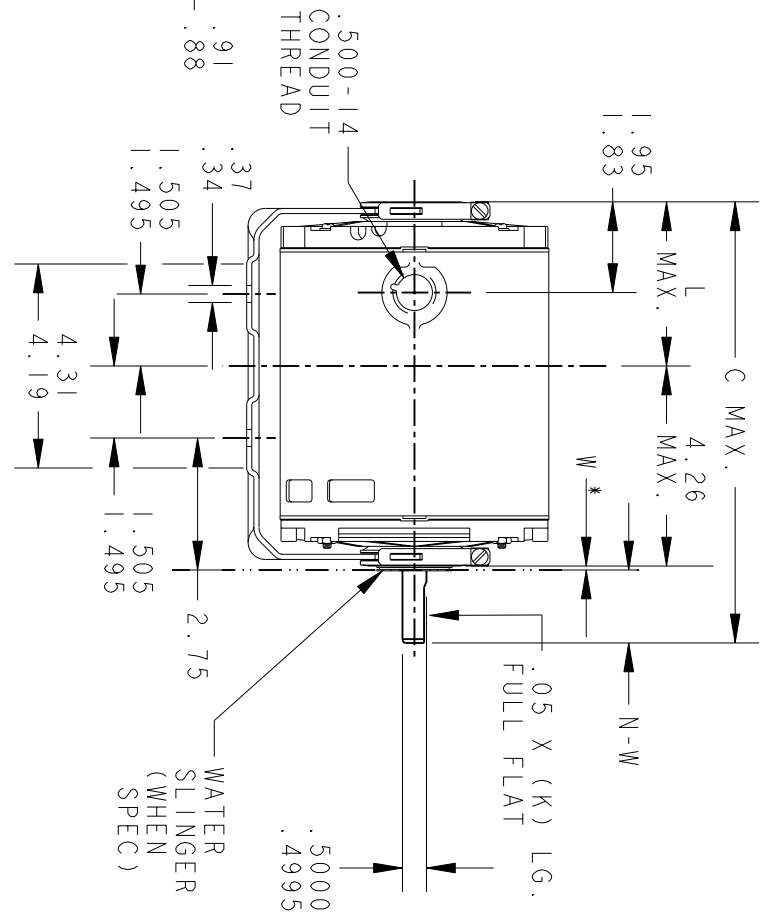
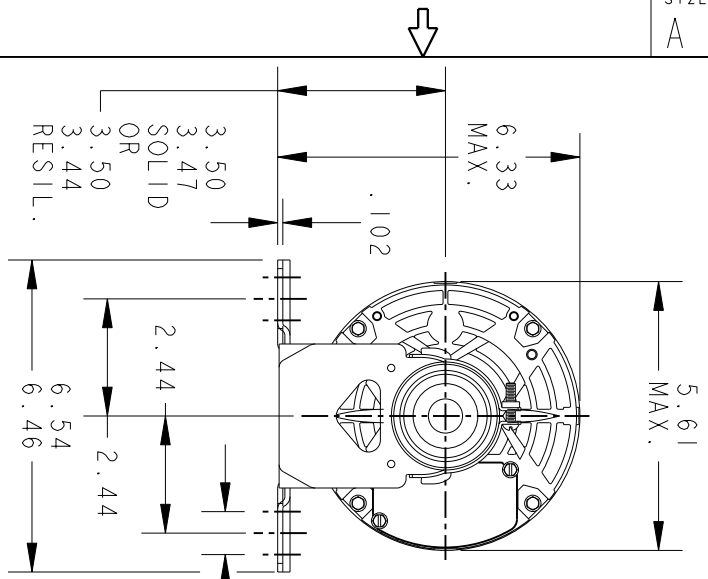


REVISIONS

REV.	DESCRIPTION	DATE	APPROVED
3	CHGD. TO BALL/SLV BRG. IN TITLE	03/10/94	M.D. PAPE
4	REDRAWN BY 2M SOFTWARE CO.	02/10/95	CCP
5	CHG TO RBC FORMAT PER IS05-1777	02/15/06	SUDHA



VIEW SHOWING P.E. VENTILATION OPENINGS



W * IS A CLEARANCE DUE TO VARIATION IN PARTS AND ASSEMBLY.

P	TYPE	GE SIZE	NEMA FR	C	K	L	N	N-W
1	KH	33	56Z	9.19	1.16	3.48	1.50	1.63/1.41

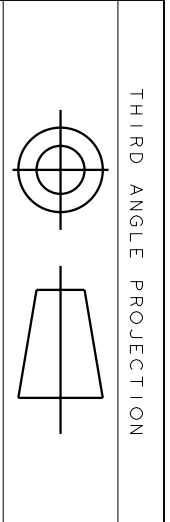


REGAL-BELOTT CORPORATION

TITLE
FORM N - GENERAL PURPOSE MOTOR -

FOR ADDITIONAL INFO REFER TO:	DETAIL	CHECKED	ENGRG	MFG	QUALITY	ISSUED	SOLID MODEL: 52A106942
APPLIED PRACTICES	DETAIL	CHECKED	ENGRG	MFG	QUALITY	ISSUED	SOLID MODEL: 52A106942
DIMENSIONS ARE IN INCHES	DETAIL	CHECKED	ENGRG	MFG	QUALITY	ISSUED	SOLID MODEL: 52A106942

DRIP PROOF - RESIL BASE - BALL/SLV BEARING FWF: 5KH390N5523	SCALE: 0.250	REF. No.:	SHEET 1 of 1
SIZE: DRAWING A	52A106942	REV 5	

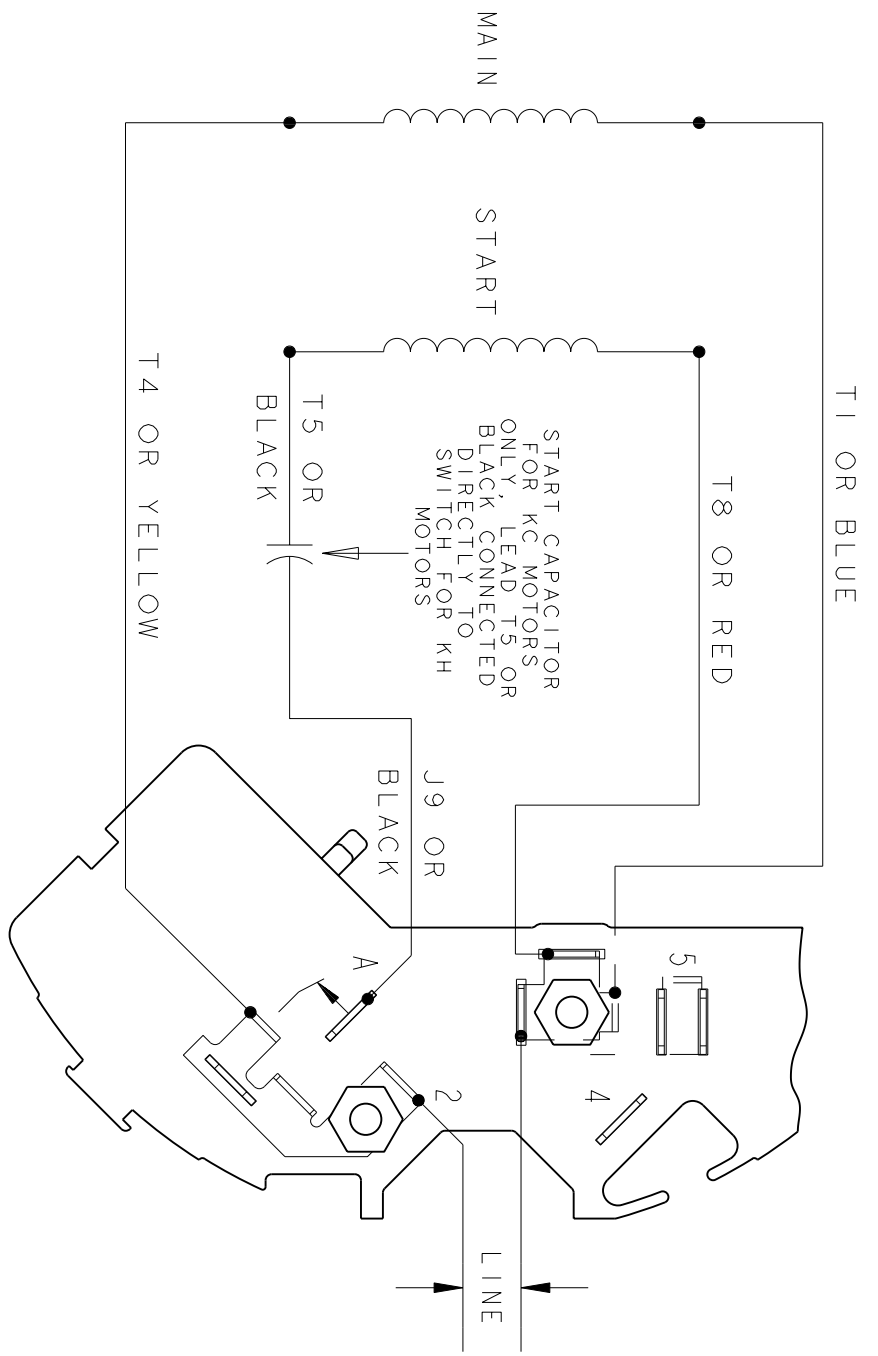


THIRD ANGLE PROJECTION

REVISIONS

REV.	DESCRIPTION	DATE	APPROVED
1	UPDATED FORMAT	11/10/05	MAM

EITHER ROTATION - SINGLE VOLTAGE
TYPE KC, OR KH



NOTE #1 - TO REVERSE ROTATION INTERCHANGE BLACK (T5-KH OR J9-KC) AND RED (T8) LEADS.

NOTE #2 - WHEN MORE THAN ONE CAPACITOR IS USED CONNECT IN PARALLEL.

REF. DIAG. - 121A850		SWITCH (C) - 115D958AB	
SIGNATURES		CONNECTION LABEL - 52X332047	
MODEL	M.D. PAPER	REGAL-BELOIT CORPORATION	
DETAIL	DATE	REGAL-BELOIT CORPORATION	
CHECKED		CONNECTION DIAGRAM	
ENGRG		FME: 30 FRAME SWITCH REDESIGN	
MFG		52A105377AA	
QUALITY		REV 1	
ISSUED	M.D.P.	SCALE: 1.000 REF. No:	
MATERIAL	SOLID MODEL: 52A105377AA	SHEET 1 of 1	