

PRODUCT INFORMATION PACKET

Model No: 5KH39QN9541T
Catalog No: 4338
3/4,1725,DP,56,1/60/115
Fan and Blower



Regal and Marathon are trademarks of Regal Beloit Corporation or one of its affiliated companies.
©2018 Regal Beloit Corporation, All Rights Reserved. MC017097E



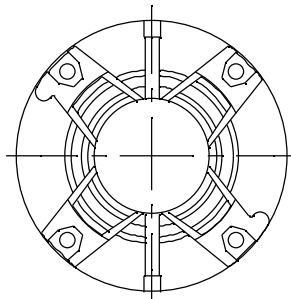
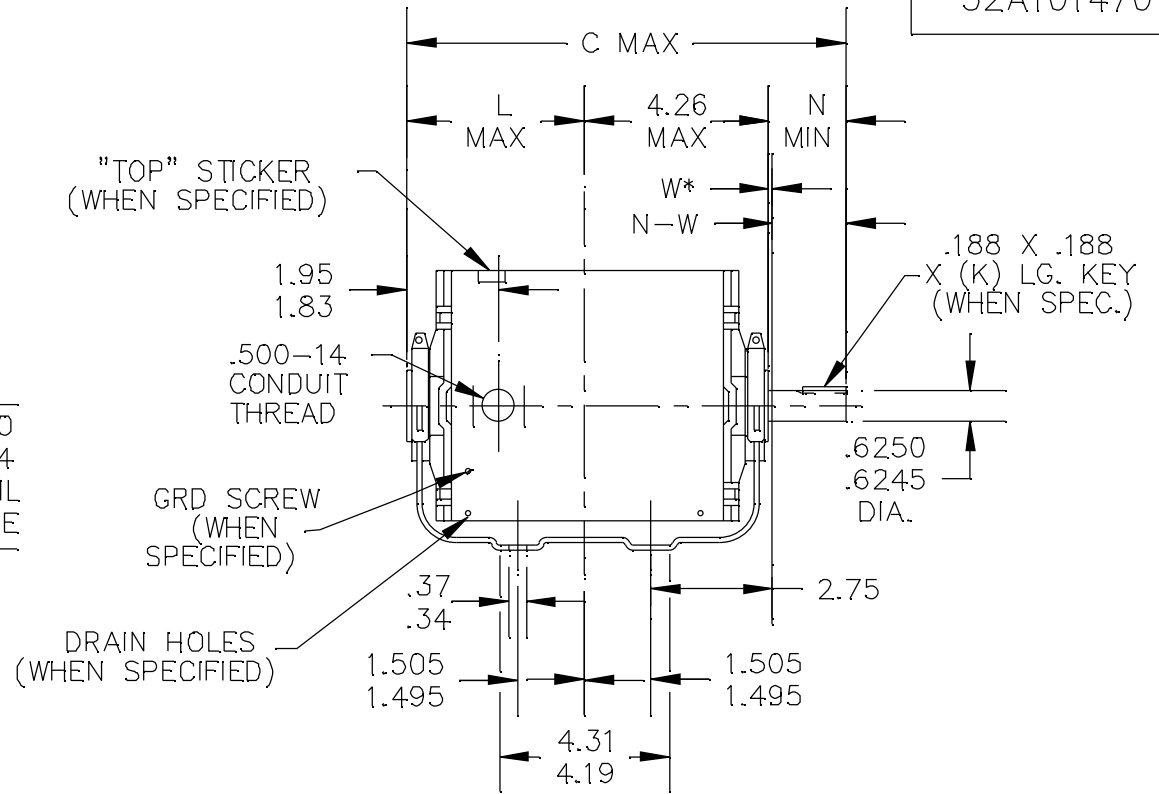
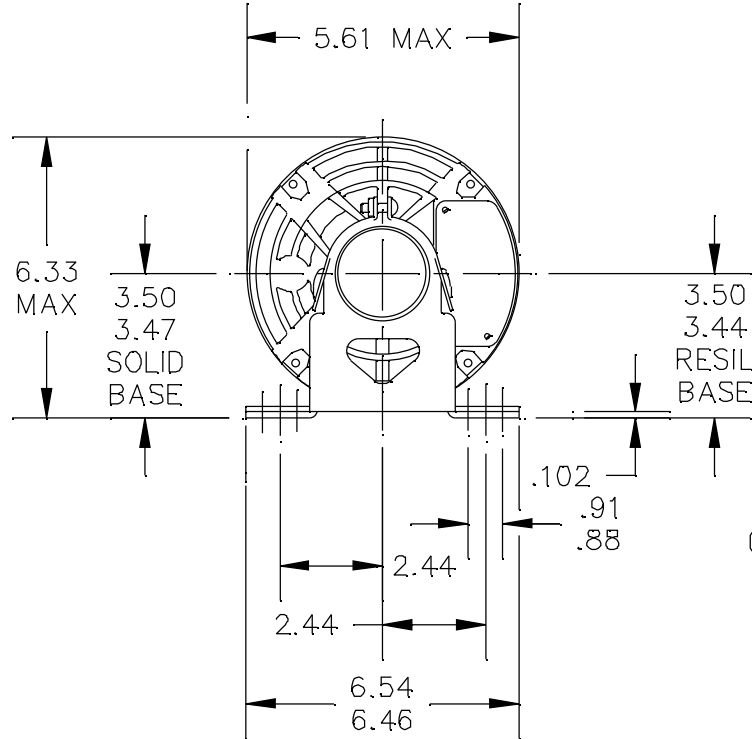
Nameplate Specifications

Output HP	0.75 Hp	Output KW	0.56 kW
Frequency	60 Hz	Voltage	115 V
Current	11.4 A	Speed	1725 rpm
Service Factor	1	Phase	1
Efficiency	64.5 %	Duty	Continuous
Insulation Class	B	KVA Code	N
Frame	56	Enclosure	Drip Proof
Overload Protector	AUTO	Ambient Temperature	40 °C
Drive End Bearing Size	6203	Opp Drive End Bearing Size	6203
UL	Recognized	CSA	Yes
CE	N		

Technical Specifications

Electrical Type	Split Phase	Starting Method	SM
Poles	4	Rotation	Selective Counterclockwise
Mounting	Resilient Base	Motor Orientation	Any
Drive End Bearing	BALL	Opp Drive End Bearing	BALL
Frame Material	Rolled Steel	Overall Length	10.72 in
Frame Length	6.62 in	Shaft Diameter	0.630 in
Shaft Extension	1.88 in	Thru-bolts Extension	0
Outline Drawing	52A101470P3	Connection Diagram	52A105379AA

This is an uncontrolled document once printed or downloaded and is subject to change without notice. Date Created: 06/28/2018

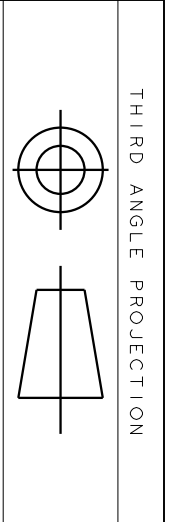


VIEW SHOWING PE VENTILATION OPENINGS

*W IS A CLEARANCE DUE TO VARIATION IN PARTS & ASSEMBLY.

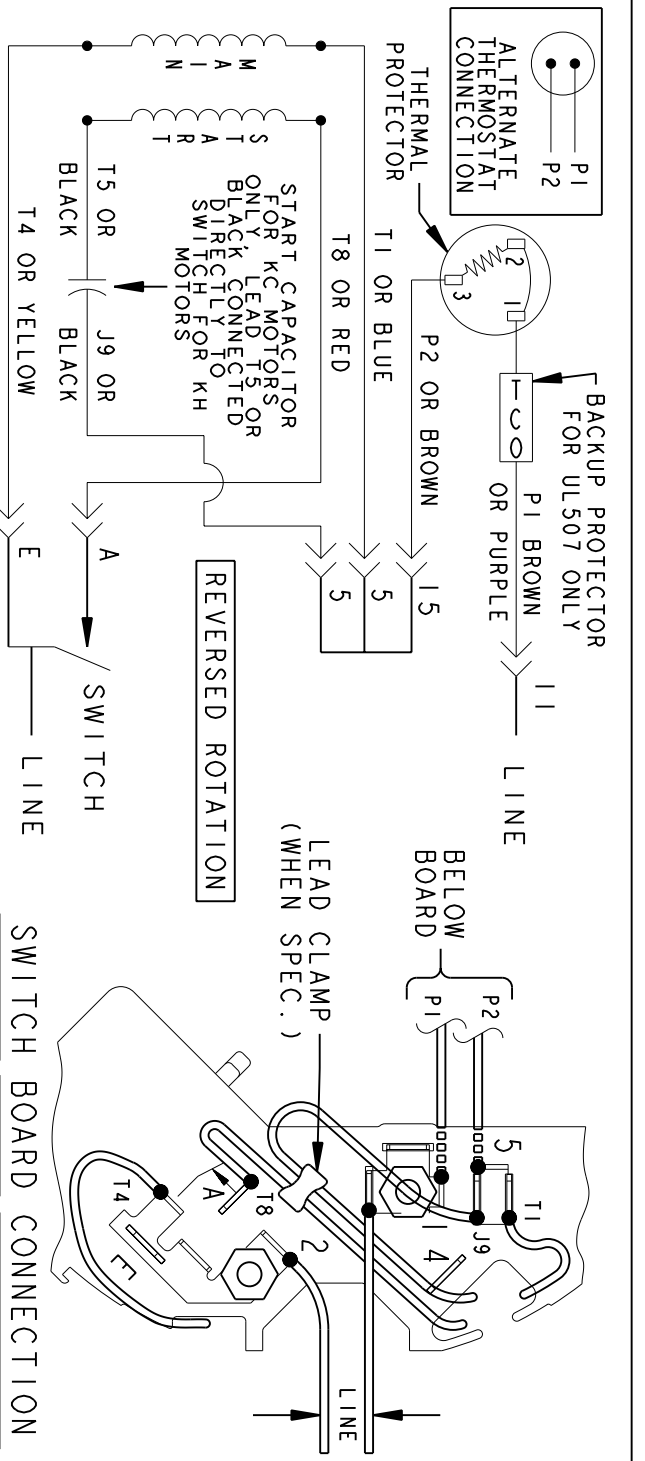
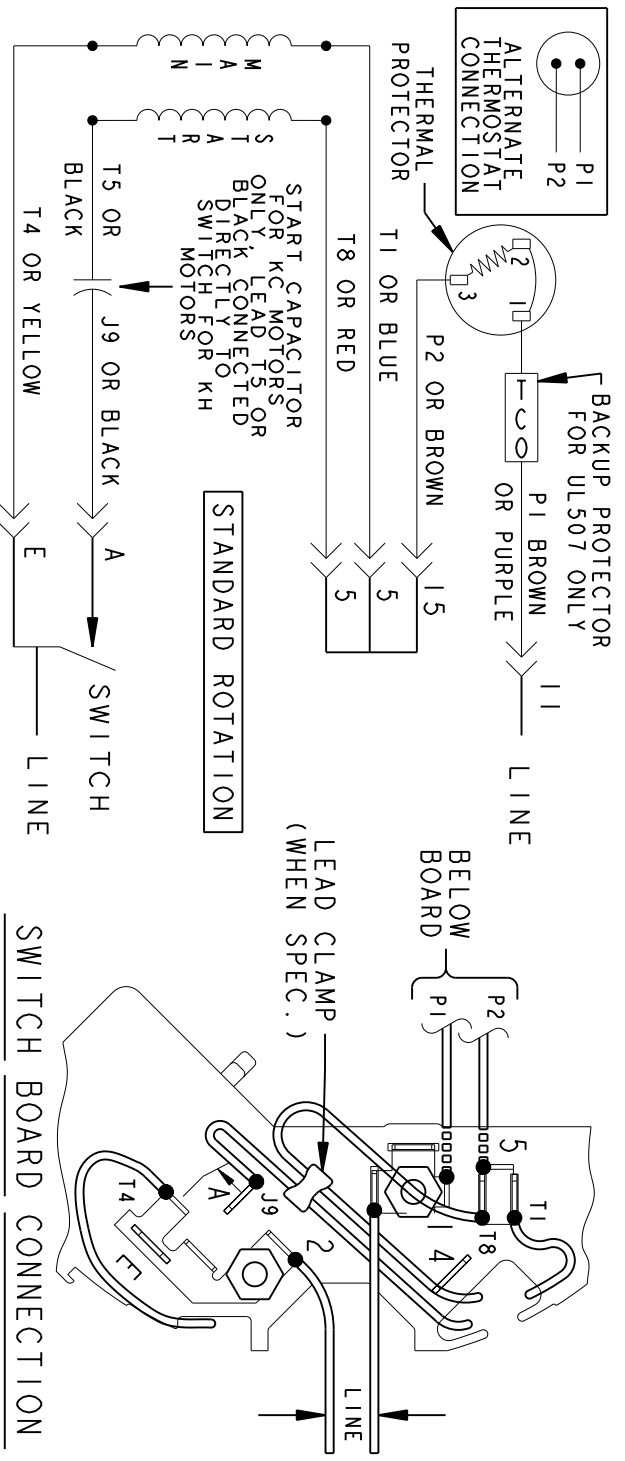
6	KCP	38	56	9.51	3.42	1.88	2.01/1.79	1.38	
5	K-KH	39	56	11.85	5.76	1.88	2.01/1.79	1.38	7.75
4	K-KH	38	56	11.32	5.23	1.88	2.01/1.79	1.38	
3	K-KH	37	56	10.72	4.63	1.88	2.01/1.79	1.38	
2	K-KH	36	56	10.32	4.28	1.88	2.01/1.79	1.38	
1	K-KH	35	56	9.89	3.80	1.88	2.01/1.79	1.38	
PT	TYPE	RBC SIZE	NEMA FR	C	L	N	N-W	K	MIN. SHELL

				TOLERANCES UNLESS SPECIFIED				DRAWN GLB 02/05/75	
				DEC.		INCHES		CHK	
				.X		±0.1		APPD MDP 07/10/96	
				.XX		±0.02		SCALE 1=1	
13 REDRAWN IN DRAFT SIGHT		UD 10/17/12		PKG .XXX		±0.005		REF	
12 CHG TO RBC FORMAT PER IS 05-1777		RK 12/15/05		.XXXX		±0.0005		FMF	
NO. REVISION		BY & DATE		CHK ANG		±1.0		PREV	
THIS DRAWING IN DESIGN AND DETAIL IS OUR PROPERTY AND MUST NOT BE USED EXCEPT IN CONNECTION WITH OUR WORK ALL RIGHTS OF DESIGN AND INVENTION ARE RESERVED THIS IS AN ELECTRONICALLY GENERATED DOCUMENT - DO NOT SCALE THIS PRINT				RFP		CAD FILE 52A101470		SIZE DRAWING NO.	
				DIST				A 52A101470	
								REV. 13	



REV.	DESCRIPTION	DATE	APPROVED
6	UPDATED FORMAT	12/01/05	MAM

EITHER ROTATION-SINGLE VOLTAGE-TYPE KC OR KH-WITH THERMAL PROTECTOR



NOTE #1 - TO REVERSE ROTATION INTERCHANGE RED (T8) AND BLACK (J9-KC OR T5-KH) LEADS.
 NOTE #2 - WHEN MORE THAN ONE CAPACITOR IS USED CONNECT IN PARALLEL.

SWITCH (C) - 115D958AB REF. DIAG. - 121A851 CONN. LABEL - 52X332048

SIGNATURES	DATE
MODEL M.D.PAPE	06/29/87
DETAIL	
CHECKED	
ENGRG	
MFG	
QUALITY	
ISSUED	M.D.P. 03/08/00
SOLID MODEL: 52A105379AA	



REGAL-BELOIT CORPORATION

CONNECTION DIAGRAM

FMF - 30 FR SWITCH REDESIGN

52A105379AA

SCALE: 1.000	REF. No.:	SHEET 1 of 1
--------------	-----------	--------------