

# PRODUCT INFORMATION PACKET

Model No: 5KH46MN3025  
Catalog No: H173  
1/3-1/9,1725/1140,DP,56,1/60/115  
Fan and Blower



Regal and Marathon are trademarks of Regal Beloit Corporation or one of its affiliated companies.  
©2018 Regal Beloit Corporation, All Rights Reserved. MC017097E

### Nameplate Specifications

Output HP	<b>1/3-1/9 Hp</b>	Output KW	<b>0.25 kW</b>
Frequency	<b>60 Hz</b>	Voltage	<b>115 V</b>
Current	<b>5.7,3.2 A</b>	Speed	<b>1725/1140 rpm</b>
Service Factor	<b>1.35</b>	Phase	<b>1</b>
Efficiency	<b>56.5 %</b>	Duty	<b>Continuous</b>
Insulation Class	<b>B</b>	KVA Code	<b>P</b>
Frame	<b>56</b>	Enclosure	<b>Drip Proof</b>
Overload Protector	<b>N/R</b>	Ambient Temperature	<b>40 °C</b>
Drive End Bearing Size	<b>6203</b>	Opp Drive End Bearing Size	<b>6203</b>
UL	<b>Recognized</b>	CSA	<b>Yes</b>
CE	<b>N</b>		

### Technical Specifications

Electrical Type	<b>Split Phase</b>	Starting Method	<b>SM</b>
Poles	<b>4</b>	Rotation	<b>Counterclockwise/Clockwise</b>
Mounting	<b>Resilient Base</b>	Motor Orientation	<b>ANY</b>
Drive End Bearing	<b>BALL</b>	Opp Drive End Bearing	<b>BALL</b>
Frame Material	<b>Rolled Steel</b>	Overall Length	<b>10.88 in</b>
Frame Length	<b>6.55 in</b>	Shaft Diameter	<b>0.63 in</b>
Shaft Extension	<b>1.88 in</b>	Thru-bolts Extension	<b>0</b>
Outline Drawing	<b>52A109511P2</b>	Connection Diagram	<b>52A106478AA</b>

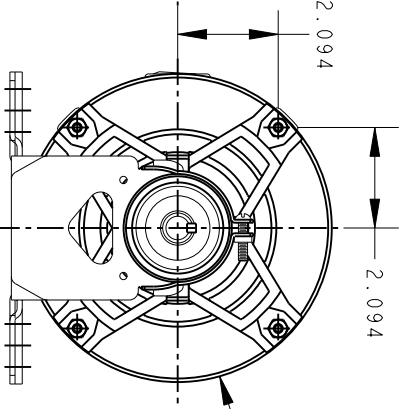
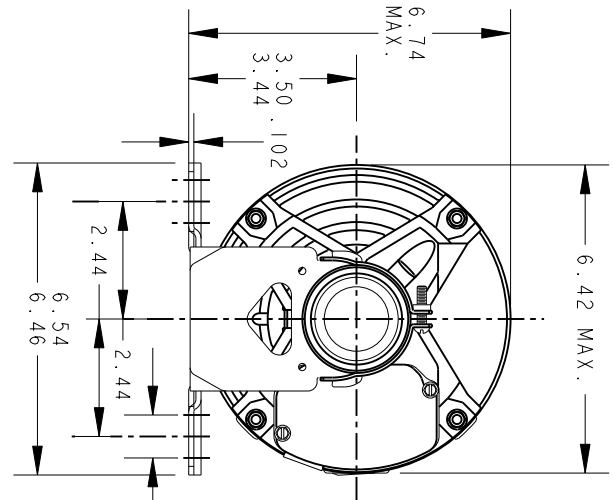
This is an uncontrolled document once printed or downloaded and is subject to change without notice. Date Created: 10/08/2018

THIRD ANGLE PROJECTION

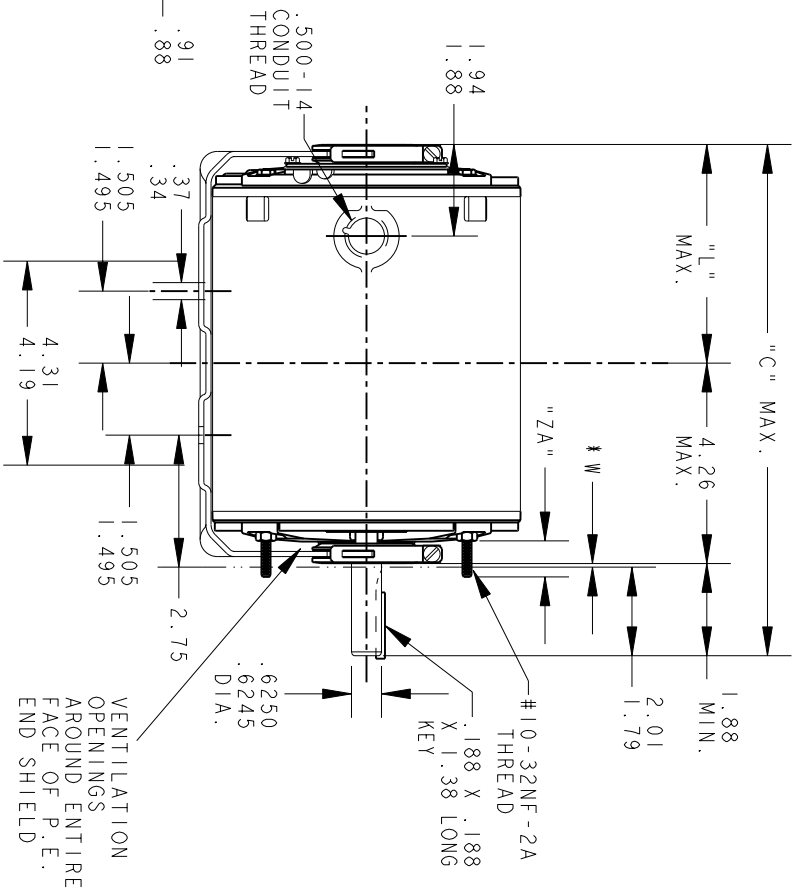


REVISIONS

REV.	DESCRIPTION	DATE	APPROVED
2	ADDED PART #4.	07/05/94	M.D. PAPE
3	CHG TO RBC FORMAT PER IS05-11777	03/16/06	SUDHA



VIEW OF P.E. END SHIELD



\*W IS A VARIABLE CLEARANCE DUE TO VARIATIONS IN PARTS AND ASSEMBLY

ALL DIMENSIONS ARE IN INCHES

4	3	2	1	P
KH/K	KH/K	KH/K	KH/K	TYPE
49	49	46	46	GE
56	56	56	56	SIZE
12.01	11.48	10.88	10.88	NEMA "C"
5.75	5.22	4.62	4.62	FR. "L"
.62	.62	.62	.62	"ZA"



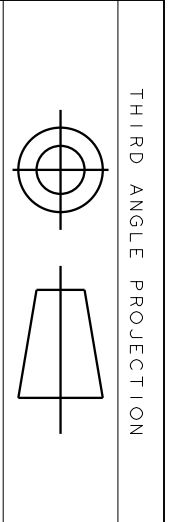
REGAL-BELOTT CORPORATION

OUTLINE

GENERAL PURPOSE MOTOR - DRIP PROOF - BALL BEARING - RESILIENT BASE EXTENDED CLAMP SCREWS FMF - 40 FRAME REDESIGN

FOR ADDITIONAL INFO REFER TO:	MODEL	MA MARKS	DATE
APPLIED PRACTICES	DETAIL	CHECKED	ENGRG
DIMENSIONS ARE IN INCHES	ISSUED	QUALITY	M.F.G
MATERIAL	SOLID MODEL: 52A109511	ISSUED	M.A.M.
		ISSUED	03/29/94

SCALE: 0.250	REF. No.:	SHEET 1 of 1
SIZE: DRAWING A	REV 3	



REV.	DESCRIPTION	DATE	APPROVED
5	UPDATED TO RBC FORMAT	01/09/06	MAM

EITHER ROTATION  
 SINGLE VOLTAGE  
 TYPE KC, KCR, OR KH  
 2 SPEED  
 POLE CHANGING

T1 OR BLUE

T2 OR WHITE

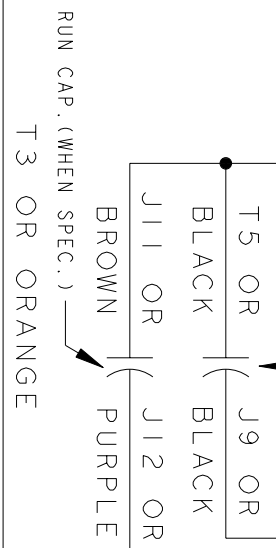
T8 OR RED

MAIN (HI)

MAIN (LO)

START

START CAPACITOR  
 FOR KC MOTORS  
 ONLY, LEAD T5 OR  
 BLACK, CONNECTED  
 DIRECTLY TO  
 SWITCH FOR KH  
 MOTORS



BLACK JUMPER LEAD

NOTE #1 - TO REVERSE ROTATION INTERCHANGE BLUE (T1) AND WHITE (T2) LEADS.  
 NOTE #2 - WHEN MORE THAN ONE CAPACITOR IS USED CONNECT IN PARALLEL.

SWITCH (D) - 115D9558BA

CONNECTION LABEL - 52X332073

REF. DIAG. - 121A865

SIGNATURES	DATE
MODEL M.D.P.	12/14/87
DETAIL	
CHECKED	
ENGRG	
MFG	
QUALITY	
ISSUED M.D.P.	12/14/87
APPLIED PRACTICES	
DIMENSIONS ARE IN INCHES	
MATERIAL	SOLID MODEL: 52A106478AA



REGAL-BELOTT CORPORATION

TITLE CONNECTION DIAGRAM

FMF: 5KH36KN114G

52A106478AA

SIZE A	DRAWING	SCALE: 1.000	REF. No.:	SHEET 1 of 1
--------	---------	--------------	-----------	--------------