

PRODUCT INFORMATION PACKET

Model No: 5KH49MN6057S
Catalog No: H137
1/4, 1140, TENV, 56, 1/60/115
Single Phase



Regal and Marathon are trademarks of Regal Beloit Corporation or one of its affiliated companies.

©2018 Regal Beloit Corporation, All Rights Reserved. MC017097E



Nameplate Specifications

Output HP	1/4 Hp	Output KW	0.19 kW
Frequency	60 Hz	Voltage	115 V
Current	5.6 A	Speed	1140 rpm
Service Factor	1	Phase	1
Efficiency	53 %	Duty	Continuous
Insulation Class	B	KVA Code	M
Frame	56	Enclosure	Totally Enclosed Non Ventilated
Overload Protector	AUTO	Ambient Temperature	40 °C
Drive End Bearing Size	6203	Opp Drive End Bearing Size	6203
UL	Recognized	CSA	Yes
CE	N		

Technical Specifications

Electrical Type	Split Phase	Starting Method	SM
Poles	6	Rotation	Counterclockwise/Clockwise
Mounting	Resilient Base	Motor Orientation	ANY
Drive End Bearing	BALL	Opp Drive End Bearing	BALL
Frame Material	Rolled Steel	Overall Length	10.48 in
Frame Length	6.15 in	Shaft Diameter	0.63 in
Shaft Extension	1.88 in		
Outline Drawing	52A107714P4	Connection Diagram	52A105379AA

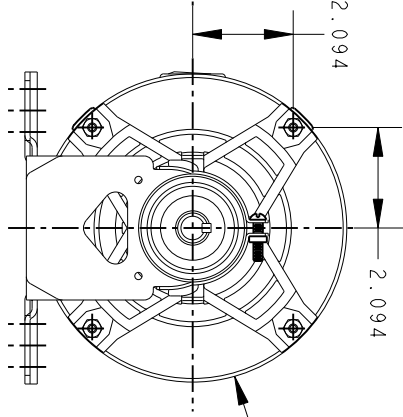
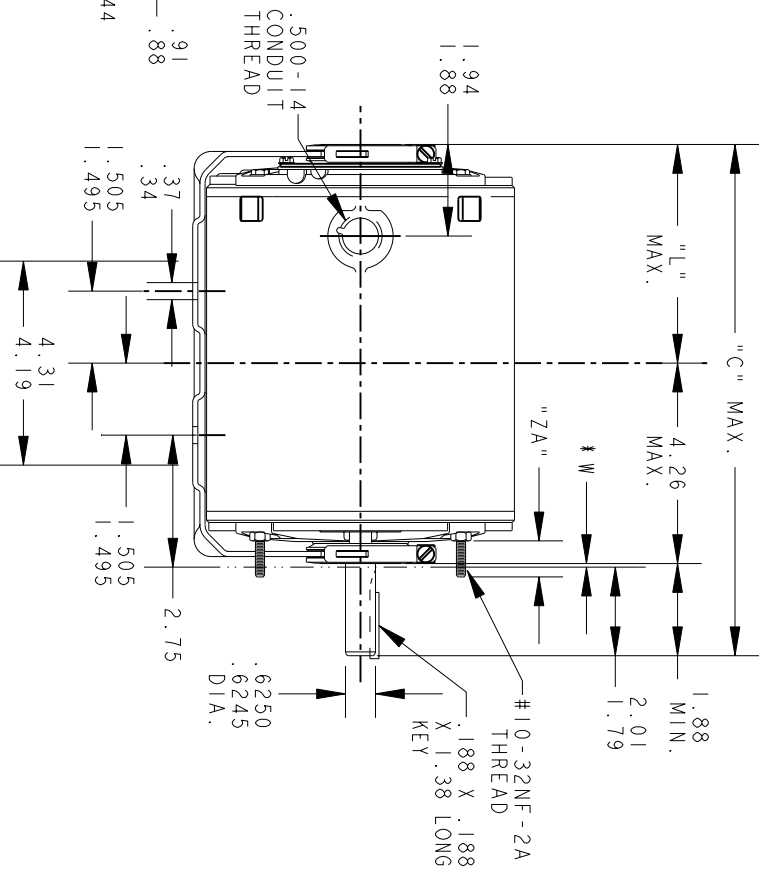
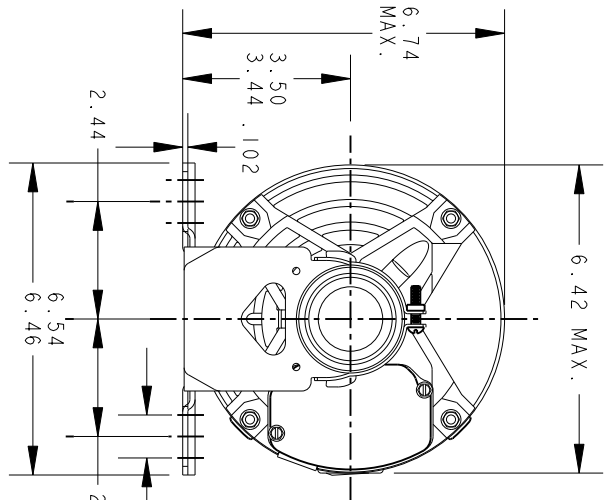
This is an uncontrolled document once printed or downloaded and is subject to change without notice. Date Created: 10/08/2018

THIRD ANGLE PROJECTION



REVISIONS

REV.	DESCRIPTION	DATE	APPROVED
4	RETRACTED, ADDED PART #4.	04/22/94	M.D. PAPE
5	CHG TO RBC FORMAT PER IS05-11777	03/01/06	SUDHA



VIEW OF P.E. END SHIELD

* W IS A VARIABLE CLEARANCE DUE TO VARIATIONS IN PARTS AND ASSEMBLY

ALL DIMENSIONS ARE IN INCHES

4	3	2	1	P
KH/K	KH/K	KH/K	KC	TYPE
49	49	46	46	GE
56	56	56	56	NEMA
10.48	11.48	10.88	10.88	"C"
4.22	5.22	4.62	4.62	"L"
.62	.62	.62	.62	"ZA"
				MIN. SHELL

REGAL-BELOTT CORPORATION

REGAL-BELOTT

TITLE **GENERAL PURPOSE MOTOR TENV - BALL BEARING - RESILIENT BASE EXTENDED CLAMP SCREWS FWF - 40 FRAME REDESIGN**

FOR ADDITIONAL INFO REFER TO:	
APPLIED PRACTICES	QUALITY
DIMENSIONS ARE IN INCHES	ISSUED
MATERIAL	SOLID MODEL: 52A107714

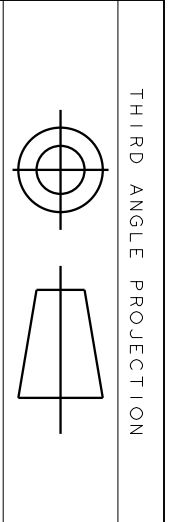
SIGNATURES		DATE
MODEL	B. JOHNSON	08/13/91
DETAIL		
CHECKED		
ENGRG		
MFG		
QUALITY		
ISSUED	M.D. PAPE	04/22/94

SCALE: 0.250 REF. No.: .

SIZE DRAWING A

REV 52A107714

SHEET 1 of 1



REV.	DESCRIPTION	DATE	APPROVED
6	UPDATED FORMAT	12/01/05	MAM

EITHER ROTATION-SINGLE VOLTAGE-TYPE KC OR KH-WITH THERMAL PROTECTOR



NOTE #1 - TO REVERSE ROTATION INTERCHANGE RED (T8) AND BLACK (J9-KC OR T5-KH) LEADS.
 NOTE #2 - WHEN MORE THAN ONE CAPACITOR IS USED CONNECT IN PARALLEL.

SWITCH (C) - 115D958AB REF. DIAG. - 121A851 CONN. LABEL - 52X332048

SIGNATURES	DATE
MODEL M.D. PAPE	06/29/87
DETAIL	
CHECKED	
ENGRG	
MFG	
QUALITY	
ISSUED	M.D.P. 03/08/00
SOLID MODEL: 52A105379AA	

REGAL-BELOIT CORPORATION

REGAL-BELOIT

TITLE: **CONNECTION DIAGRAM**

SIZE: DRAWING A

SCALE: 1.000 REF. No.:

30 FR SWITCH REDESIGN

52A105379AA

REV 6