

# PRODUCT INFORMATION PACKET

Model No: 5KH49PN3026X  
Catalog No: H176  
1/2-1/6,1725/1140,DP,56,1/60/115  
Fan and Blower



Regal and Marathon are trademarks of Regal Beloit Corporation or one of its affiliated companies.  
©2018 Regal Beloit Corporation, All Rights Reserved. MC017097E



**Nameplate Specifications**

Output HP	<b>1/2-1/6 Hp</b>	Output KW	<b>0.37 kW</b>
Frequency	<b>60 Hz</b>	Voltage	<b>115 V</b>
Current	<b>8.0,4.2 A</b>	Speed	<b>1725/1140 rpm</b>
Service Factor	<b>1.25</b>	Phase	<b>1</b>
Efficiency	<b>64 %</b>	Duty	<b>Continous</b>
Insulation Class	<b>B</b>	Design Code	<b>-</b>
KVA Code	<b>M</b>	Frame	<b>56</b>
Enclosure	<b>Drip Proof</b>	Overload Protector	<b>AUTO</b>
Ambient Temperature	<b>40 °C</b>	Drive End Bearing Size	<b>6203</b>
Opp Drive End Bearing Size	<b>6203</b>	UL	<b>Recognized</b>
CSA	<b>Yes</b>	CE	<b>N</b>

**Technical Specifications**

Electrical Type	<b>Split Phase</b>	Starting Method	<b>SM</b>
Poles	<b>4</b>	Rotation	<b>Counterclockwise/Clockwise</b>
Mounting	<b>Resilient Base</b>	Motor Orientation	<b>ANY</b>
Drive End Bearing	<b>BALL</b>	Opp Drive End Bearing	<b>BALL</b>
Frame Material	<b>Rolled Steel</b>	Overall Length	<b>11.48 in</b>
Frame Length	<b>7.15 in</b>	Shaft Diameter	<b>0.63 in</b>
Shaft Extension	<b>1.88 in</b>	Thru-bolts Extension	<b>0</b>
Outline Drawing	<b>52A109511P3</b>	Connection Diagram	<b>52A105385AC</b>

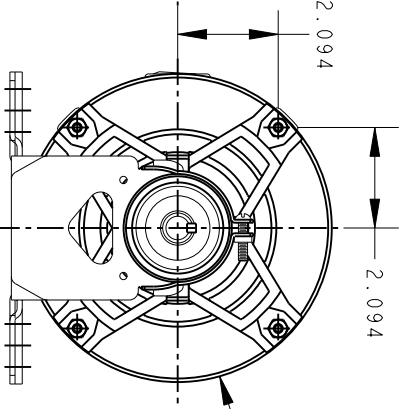
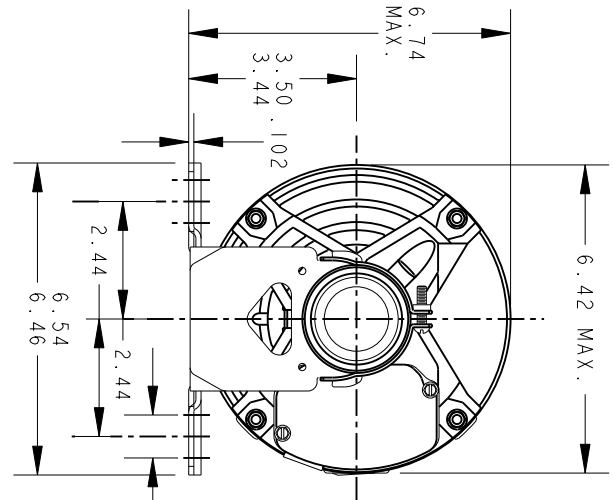
**This is an uncontrolled document once printed or downloaded and is subject to change without notice. Date Created: 10/08/2018**

THIRD ANGLE PROJECTION

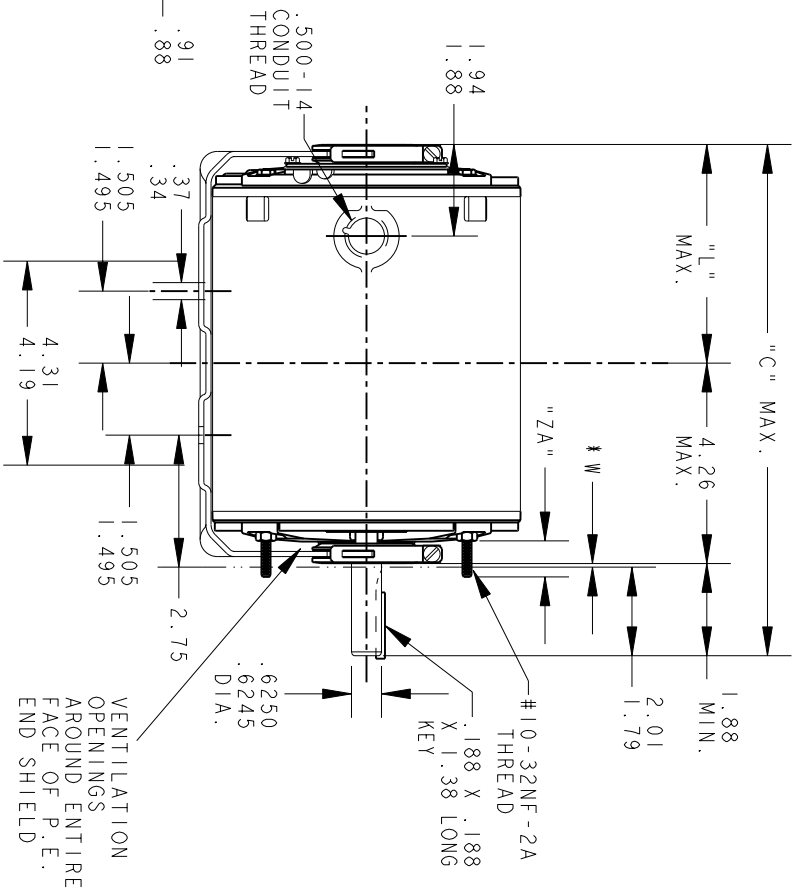


REVISIONS

REV.	DESCRIPTION	DATE	APPROVED
2	ADDED PART #4.	07/05/94	M.D. PAPE
3	CHG TO RBC FORMAT PER IS05-1777	03/16/06	SUDHA



VIEW OF P.E. END SHIELD



\*W IS A VARIABLE CLEARANCE DUE TO VARIATIONS IN PARTS AND ASSEMBLY

VENTILATION OPENINGS AROUND ENTIRE FACE OF P.E. END SHIELD

4	3	2	1	P
KH/K	KH/K	KH/K	KH/K	TYPE
49	49	46	46	GE
56	56	56	56	SIZE
12.01	11.48	10.88	10.88	NEMA "C"
5.75	5.22	4.62	4.62	FR. "L"
.62	.62	.62	.62	"ZA"

ALL DIMENSIONS ARE IN INCHES



REGAL-BELOTT CORPORATION

OUTLINE

GENERAL PURPOSE MOTOR - DRIP PROOF - BALL BEARING - RESILIENT BASE EXTENDED CLAMP SCREWS FMF - 40 FRAME REDESIGN

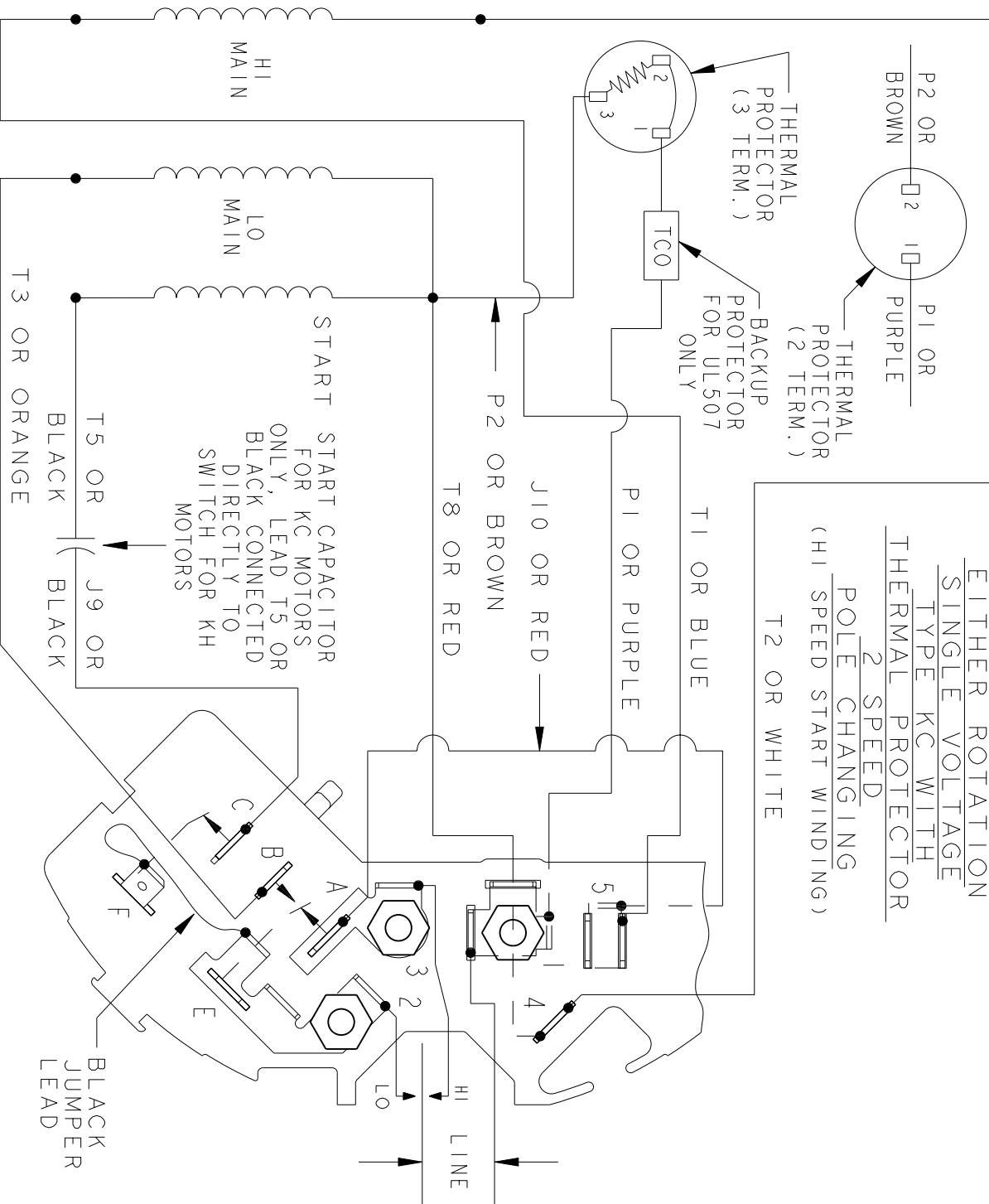
FOR ADDITIONAL INFO REFER TO:	MODEL	MA MARKS	DATE
APPLIED PRACTICES	CHECKED	ENGRG	MFG
DIMENSIONS ARE IN INCHES	ISSUED	QUALITY	QUALITY
MATERIAL	SOLID MODEL: 52A109511	M.A.M.	03/29/94

SCALE: 0.250	REF. No.:	SHEET 1 of 1
SIZE: DRAWING A	REV 3	

REV.	DESCRIPTION	DATE	APPROVED
4	UPDATED FORMAT	12/19/05	MAM

REVISIONS

EITHER ROTATION  
 SINGLE VOLTAGE  
 TYPE KC WITH  
 THERMAL PROTECTOR  
 2 SPEED  
 POLE CHANGING  
 (HI SPEED START WINDING)  
 T2 OR WHITE



NOTE #1 - TO REVERSE ROTATION INTERCHANGE BLUE (T1) AND WHITE (T2) LEADS.

NOTE #2 - WHEN MORE THAN ONE CAPACITOR IS USED CONNECT IN PARALLEL.

REF. DIAG. - 121A866

SWITCH (D) - 115D958BA  
 CONNECTION LABEL - 52X332052

SIGNATURES	DATE
MODEL M.D.PAPE	12/14/87
DETAIL	
CHECKED	
ENGRG	
MFG	
FOR ADDITIONAL INFO REFER TO:	
APPLIED PRACTICES	QUALITY
DIMENSIONS ARE IN INCHES	ISSUED
MATERIAL	M.D.P.
	07/29/94
	SOLID MODEL: 52A105385AC



REGAL-BELOLT CORPORATION

CONNECTION DIAGRAM

FMF: 5KH35KN14IG5

52A105385AC

SIZE DRAWING	A	SCALE: 1.000	REF. No.:		SHEET 1 of 1
--------------	---	--------------	-----------	--	--------------