

PRODUCT INFORMATION PACKET

Model No: 5KH49PN3026
Catalog No: H175
1/2-1/6,1725/1140,DP,56,1/60/115
Fan and Blower



Regal and Marathon are trademarks of Regal Beloit Corporation or one of its affiliated companies.

©2018 Regal Beloit Corporation, All Rights Reserved. MC017097E

Nameplate Specifications

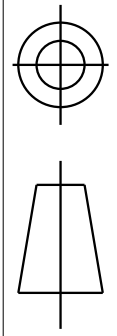
Output HP	1/2-1/6 Hp	Output KW	0.37 kW
Frequency	60 Hz	Voltage	115 V
Current	8.0,4.2 A	Speed	1725/1140 rpm
Service Factor	1.25	Phase	1
Efficiency	64 %	Duty	Continuous
Insulation Class	B	KVA Code	M
Frame	56	Enclosure	Drip Proof
Overload Protector	N/R	Ambient Temperature	40 °C
Drive End Bearing Size	6203	Opp Drive End Bearing Size	6203
UL	Recognized	CSA	Yes
CE	N		

Technical Specifications

Electrical Type	Split Phase	Starting Method	SM
Poles	4	Rotation	Counterclockwise/Clockwise
Mounting	Resilient Base	Motor Orientation	ANY
Drive End Bearing	BALL	Opp Drive End Bearing	BALL
Frame Material	Rolled Steel	Overall Length	11.48 in
Frame Length	7.15 in	Shaft Diameter	0.63 in
Shaft Extension	1.88 in	Thru-bolts Extension	0
Outline Drawing	52A109511P3	Connection Diagram	52A106478AA

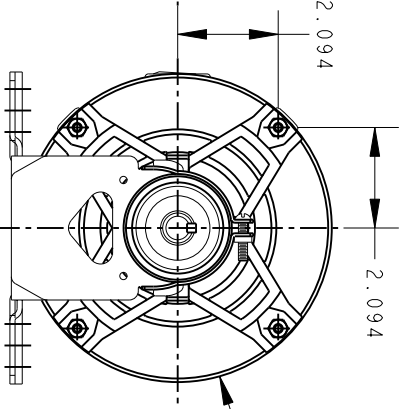
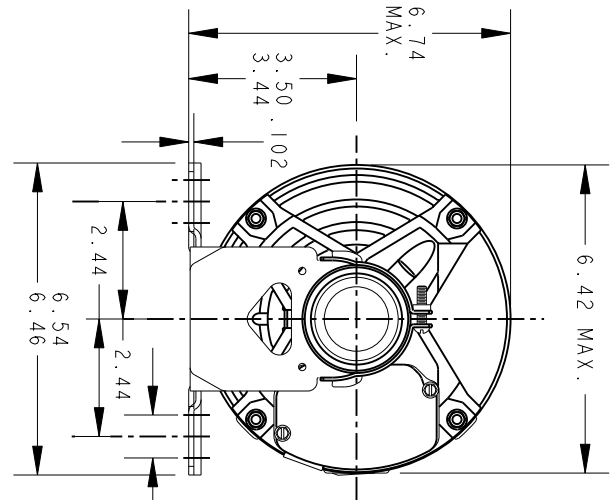
This is an uncontrolled document once printed or downloaded and is subject to change without notice. Date Created: 10/08/2018

THIRD ANGLE PROJECTION

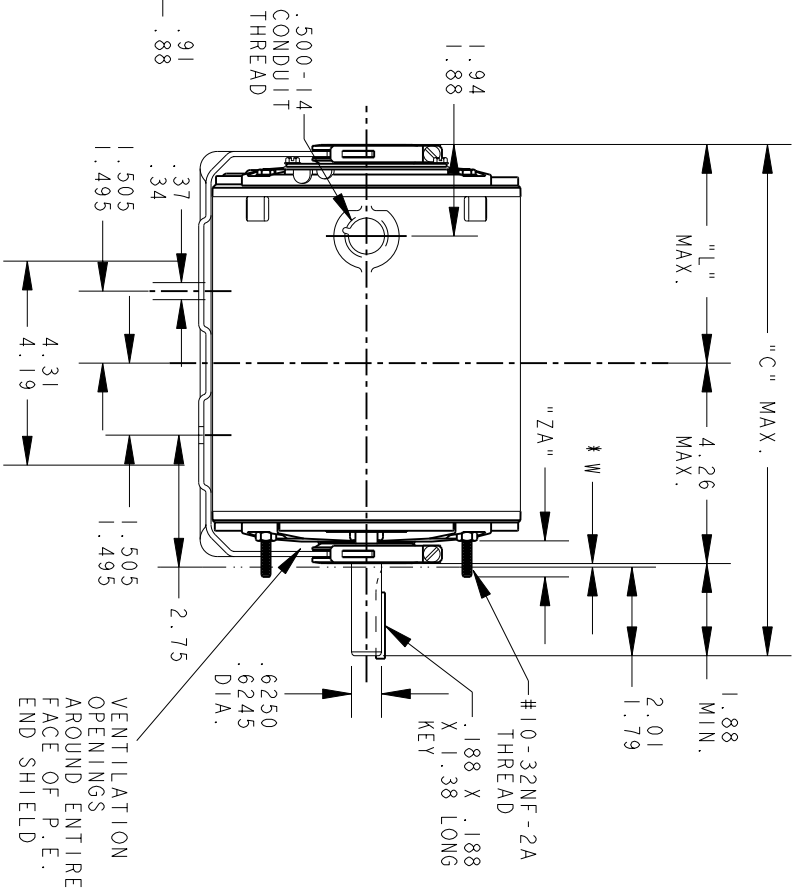


REVISIONS

REV.	DESCRIPTION	DATE	APPROVED
2	ADDED PART #4.	07/05/94	M.D. PAPE
3	CHG TO RBC FORMAT PER IS05-1777	03/16/06	SUDHA



VIEW OF P.E. END SHIELD



*W IS A VARIABLE CLEARANCE DUE TO VARIATIONS IN PARTS AND ASSEMBLY

ALL DIMENSIONS ARE IN INCHES

4	3	2	1	P
KH/K	KH/K	KH/K	KH/K	TYPE
49	49	46	46	GE
56	56	56	56	SIZE
12.01	11.48	10.88	10.88	NEMA "C"
5.75	5.22	4.62	4.62	FR. "L"
.62	.62	.62	.62	"ZA"



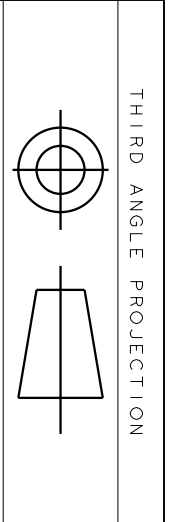
REGAL-BELOTT CORPORATION

OUTLINE

GENERAL PURPOSE MOTOR - DRIP PROOF - BALL BEARING - RESILIENT BASE EXTENDED CLAMP SCREWS FMF - 40 FRAME REDESIGN

FOR ADDITIONAL INFO REFER TO:	QUALITY	M.F.G.	ENGRG	CHECKED	DETAIL	MODEL	MA MARKS	DATE	SIGNATURES
APPLIED PRACTICES	ISSUED	M.A.M.	03/29/94						
DIMENSIONS ARE IN INCHES									
MATERIAL									

SCALE: 0.250	REF. No.:	SHEET 1 of 1
SIZE: DRAWING A	REV 3	



REV.	DESCRIPTION	DATE	APPROVED
5	UPDATED TO RBC FORMAT	01/09/06	MAM

EITHER ROTATION
 SINGLE VOLTAGE
 TYPE KC, KCR, OR KH
 2 SPEED
 POLE CHANGING

T1 OR BLUE

T2 OR WHITE

T8 OR RED

MAIN (HI)

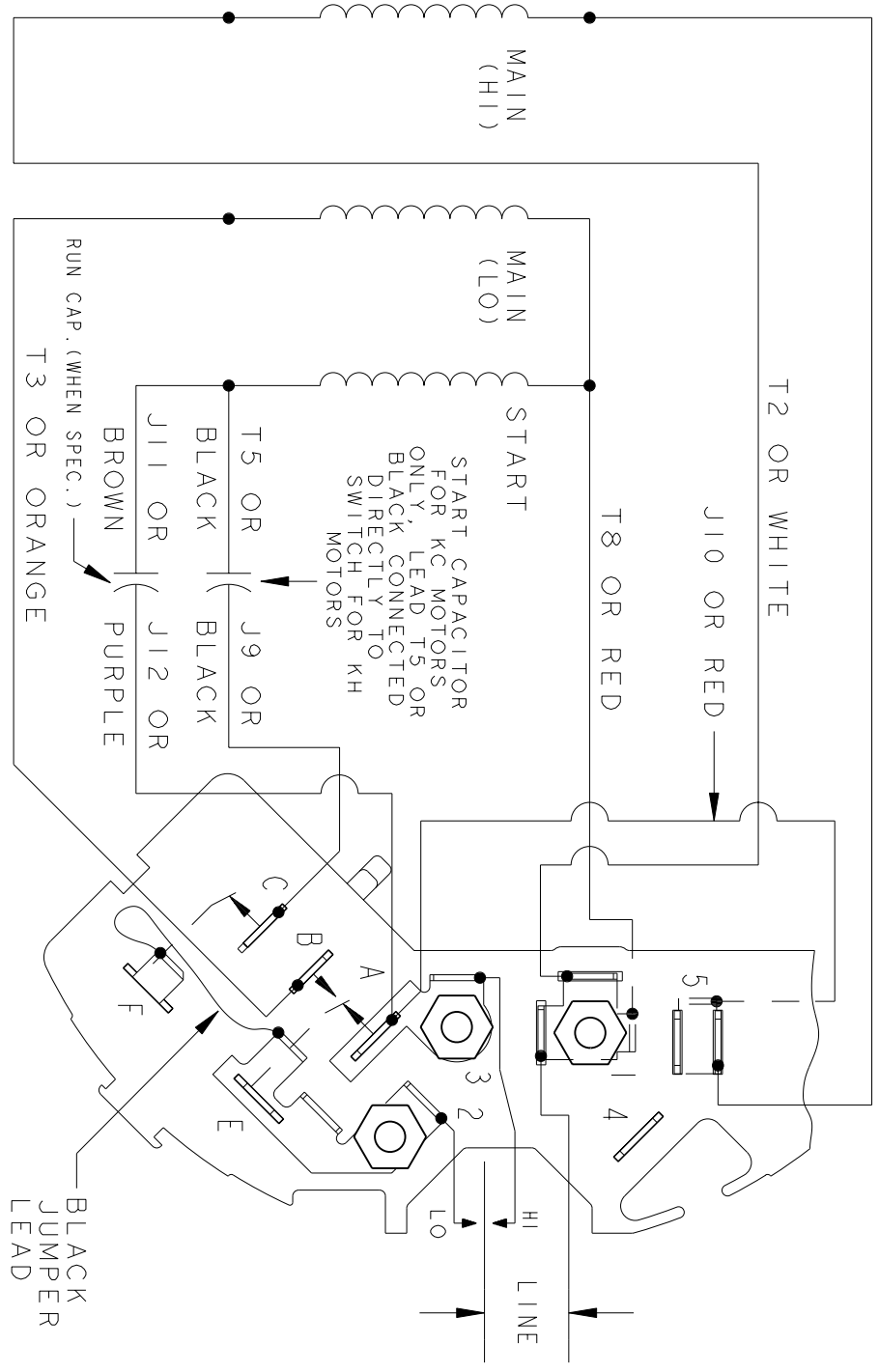
MAIN (LO)

START

START CAPACITOR
 FOR KC MOTORS
 ONLY, LEAD T5 OR
 BLACK, CONNECTED
 DIRECTLY TO
 SWITCH FOR KH
 MOTORS

T5 OR BLACK
 J11 OR BROWN
 J9 OR BLACK
 J12 OR PURPLE
 RUN CAP. (WHEN SPEC.)
 T3 OR ORANGE

BLACK
 JUMPER
 LEAD



NOTE #1 - TO REVERSE ROTATION INTERCHANGE BLUE (T1) AND WHITE (T2) LEADS.

NOTE #2 - WHEN MORE THAN ONE CAPACITOR IS USED CONNECT IN PARALLEL.

SWITCH (D) - 115D9558BA

CONNECTION LABEL - 52X332073

REF. DIAG. - 121A865

SIGNATURES	DATE
MODEL M.D.P.	12/14/87
DETAIL	
CHECKED	
ENGRG	
MFG	
QUALITY	
ISSUED M.D.P.	12/14/87
SOLID MODEL: 52A106478AA	



REGAL-BELOIT CORPORATION

TITLE CONNECTION DIAGRAM

FMF: 5KH36KN114G

52A106478AA

REV 5

SIZE A DRAWING

SCALE: 1.000 REF. No.:

SHEET 1 of 1