

# PRODUCT INFORMATION PACKET

Model No: 5KH49SN3046  
Catalog No: H296  
1/4,850,DP,56,1/60/115  
Fan and Blower



Regal and Marathon are trademarks of Regal Beloit Corporation or one of its affiliated companies.  
©2018 Regal Beloit Corporation, All Rights Reserved. MC017097E

**Nameplate Specifications**

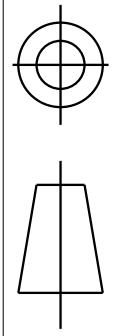
|                        |                   |                            |                   |
|------------------------|-------------------|----------------------------|-------------------|
| Output HP              | <b>1/4 Hp</b>     | Output KW                  | <b>0.19 kW</b>    |
| Frequency              | <b>60 Hz</b>      | Voltage                    | <b>115 V</b>      |
| Current                | <b>6.9 A</b>      | Speed                      | <b>850 rpm</b>    |
| Service Factor         | <b>1.25</b>       | Phase                      | <b>1</b>          |
| Efficiency             | <b>43.3 %</b>     | Duty                       | <b>Continuous</b> |
| Insulation Class       | <b>B</b>          | KVA Code                   | <b>M</b>          |
| Frame                  | <b>56</b>         | Enclosure                  | <b>Drip Proof</b> |
| Overload Protector     | <b>N/R</b>        | Ambient Temperature        | <b>40 °C</b>      |
| Drive End Bearing Size | <b>6203</b>       | Opp Drive End Bearing Size | <b>6203</b>       |
| UL                     | <b>Recognized</b> | CSA                        | <b>Yes</b>        |
| CE                     | <b>N</b>          |                            |                   |

**Technical Specifications**

|                   |                       |                       |                                   |
|-------------------|-----------------------|-----------------------|-----------------------------------|
| Electrical Type   | <b>Split Phase</b>    | Starting Method       | <b>SM</b>                         |
| Poles             | <b>8</b>              | Rotation              | <b>Counterclockwise/Clockwise</b> |
| Mounting          | <b>Resilient Base</b> | Motor Orientation     | <b>ANY</b>                        |
| Drive End Bearing | <b>BALL</b>           | Opp Drive End Bearing | <b>BALL</b>                       |
| Frame Material    | <b>Rolled Steel</b>   | Overall Length        | <b>12.01 in</b>                   |
| Frame Length      | <b>7.68 in</b>        | Shaft Diameter        | <b>0.63 in</b>                    |
| Shaft Extension   | <b>1.88 in</b>        | Thru-bolts Extension  | <b>0</b>                          |
| Outline Drawing   | <b>52A109511P4</b>    | Connection Diagram    | <b>52A105377AA</b>                |

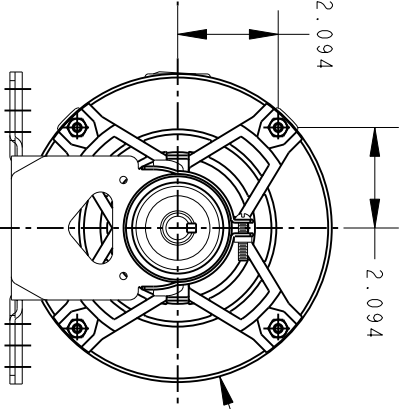
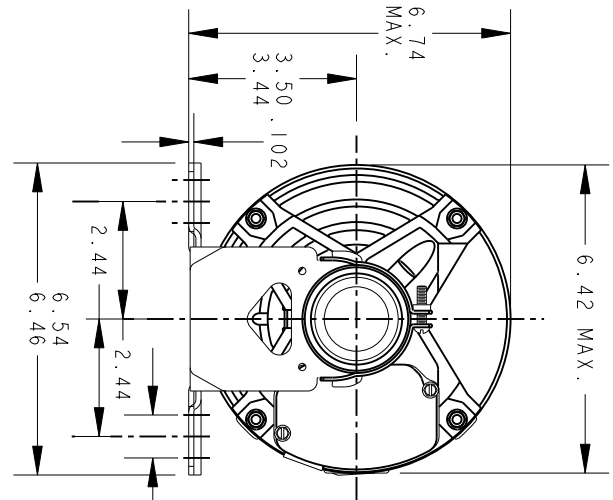
**This is an uncontrolled document once printed or downloaded and is subject to change without notice. Date Created: 10/08/2018**

THIRD ANGLE PROJECTION

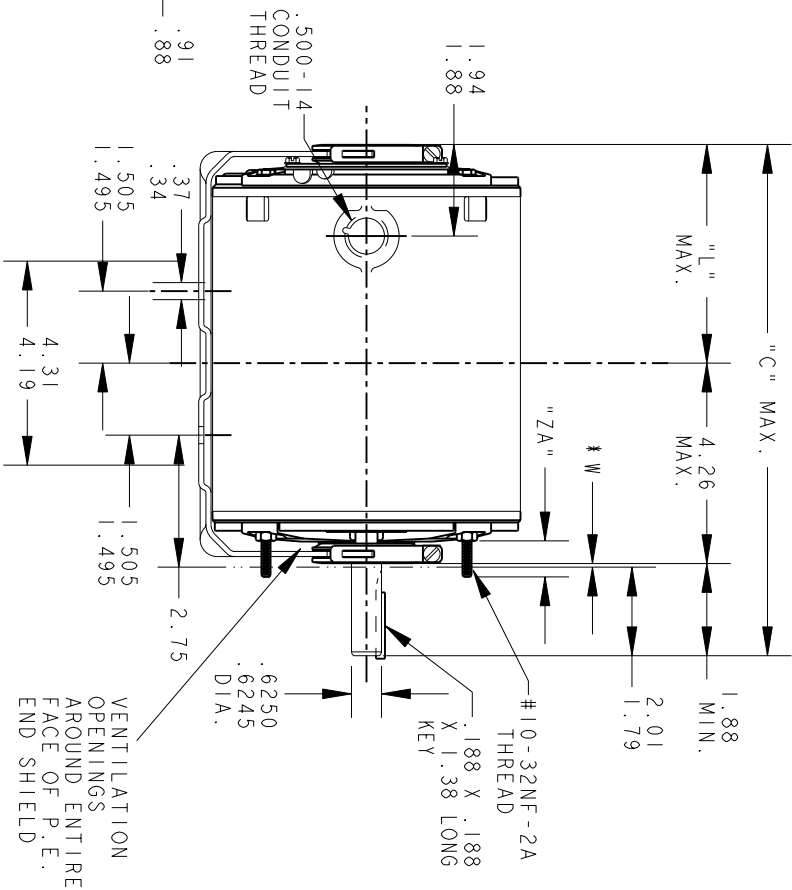


REVISIONS

| REV. | DESCRIPTION                     | DATE     | APPROVED  |
|------|---------------------------------|----------|-----------|
| 2    | ADDED PART #4.                  | 07/05/94 | M.D. PAPE |
| 3    | CHG TO RBC FORMAT PER IS05-1777 | 03/16/06 | SUDHA     |



VIEW OF P.E. END SHIELD



\*W IS A VARIABLE CLEARANCE DUE TO VARIATIONS IN PARTS AND ASSEMBLY

VENTILATION OPENINGS AROUND ENTIRE FACE OF P.E. END SHIELD

| 4     | 3     | 2     | 1     | P        |
|-------|-------|-------|-------|----------|
| KH/K  | KH/K  | KH/K  | KH/K  | TYPE     |
| 49    | 49    | 46    | 46    | GE       |
| 56    | 56    | 56    | 56    | SIZE     |
| 12.01 | 11.48 | 10.88 | 10.88 | NEMA "C" |
| 5.75  | 5.22  | 4.62  | 4.62  | FR. "L"  |
| .62   | .62   | .62   | .62   | "ZA"     |

ALL DIMENSIONS ARE IN INCHES



REGAL-BELOTT CORPORATION

TITLE OUTLINE

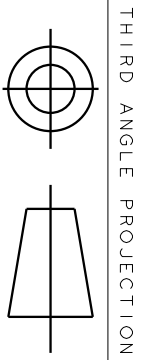
GENERAL PURPOSE MOTOR - DRIP PROOF - BALL BEARING - RESILIENT BASE EXTENDED CLAMP SCREWS FMF - 40 FRAME REDESIGN

| FOR ADDITIONAL INFO REFER TO: |                        |       |
|-------------------------------|------------------------|-------|
| APPLIED PRACTICES             | QUALITY                | MFG   |
| DIMENSIONS ARE IN INCHES      | ISSUED                 | ENGRG |
|                               | M.A.M.                 |       |
|                               | 03/29/94               |       |
| MATERIAL                      | SOLID MODEL: 52A109511 |       |

| SIGNATURES             | DATE     |
|------------------------|----------|
| MODEL MA MARKS         | 03/29/94 |
| DETAIL                 |          |
| CHECKED                |          |
| ENGRG                  |          |
| MFG                    |          |
| QUALITY                |          |
| ISSUED                 | 03/29/94 |
| M.A.M.                 |          |
| SOLID MODEL: 52A109511 |          |

52A109511

SCALE: 0.250 REF. No.: SHEET 1 of 1

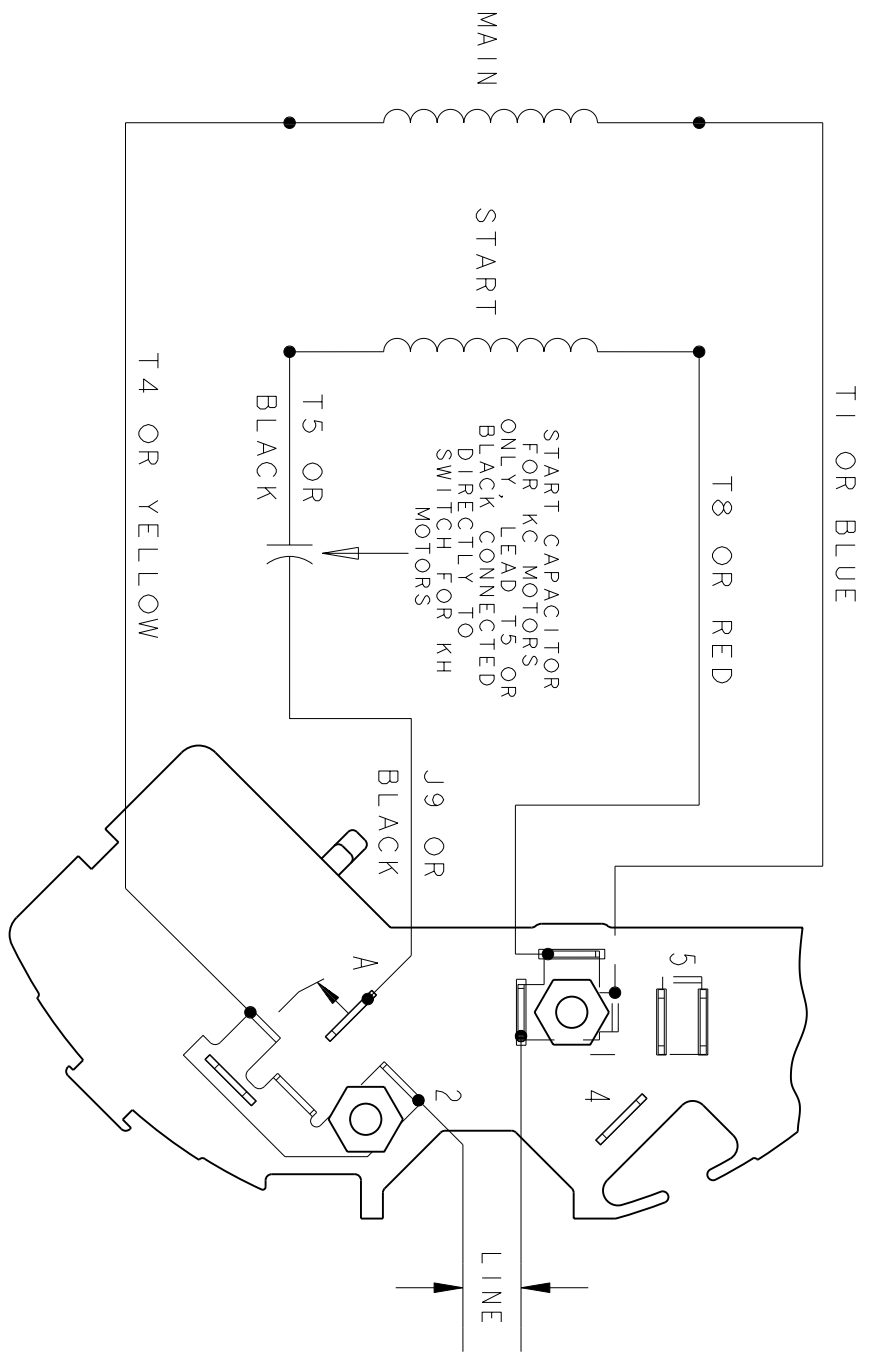


THIRD ANGLE PROJECTION

REVISIONS

| REV. | DESCRIPTION    | DATE     | APPROVED |
|------|----------------|----------|----------|
| 1    | UPDATED FORMAT | 11/10/05 | MAM      |

EITHER ROTATION - SINGLE VOLTAGE  
TYPE KC, OR KH



NOTE #1 - TO REVERSE ROTATION INTERCHANGE BLACK (T5-KH OR J9-KC) AND RED (T8) LEADS.

NOTE #2 - WHEN MORE THAN ONE CAPACITOR IS USED CONNECT IN PARALLEL.

|                          |                          |                               |  |
|--------------------------|--------------------------|-------------------------------|--|
| REF. DIAG. - 121A850     |                          | SWITCH (C) - 115D958AB        |  |
| SIGNATURES               |                          | CONNECTION LABEL - 52X332047  |  |
| MODEL                    | M.D. PAPER               | REGAL-BELOIT CORPORATION      |  |
| DETAIL                   | DATE                     | REGAL-BELOIT CORPORATION      |  |
| CHECKED                  |                          | CONNECTION DIAGRAM            |  |
| ENGRG                    |                          | FME: 30 FRAME SWITCH REDESIGN |  |
| MFG                      |                          | 52A105377AA                   |  |
| APPLIED PRACTICES        | QUALITY                  | SCALE: 1.000                  |  |
| DIMENSIONS ARE IN INCHES | ISSUED                   | REF. No.:                     |  |
| MATERIAL                 | SOLID MODEL: 52A105377AA | SHEET 1 of 1                  |  |