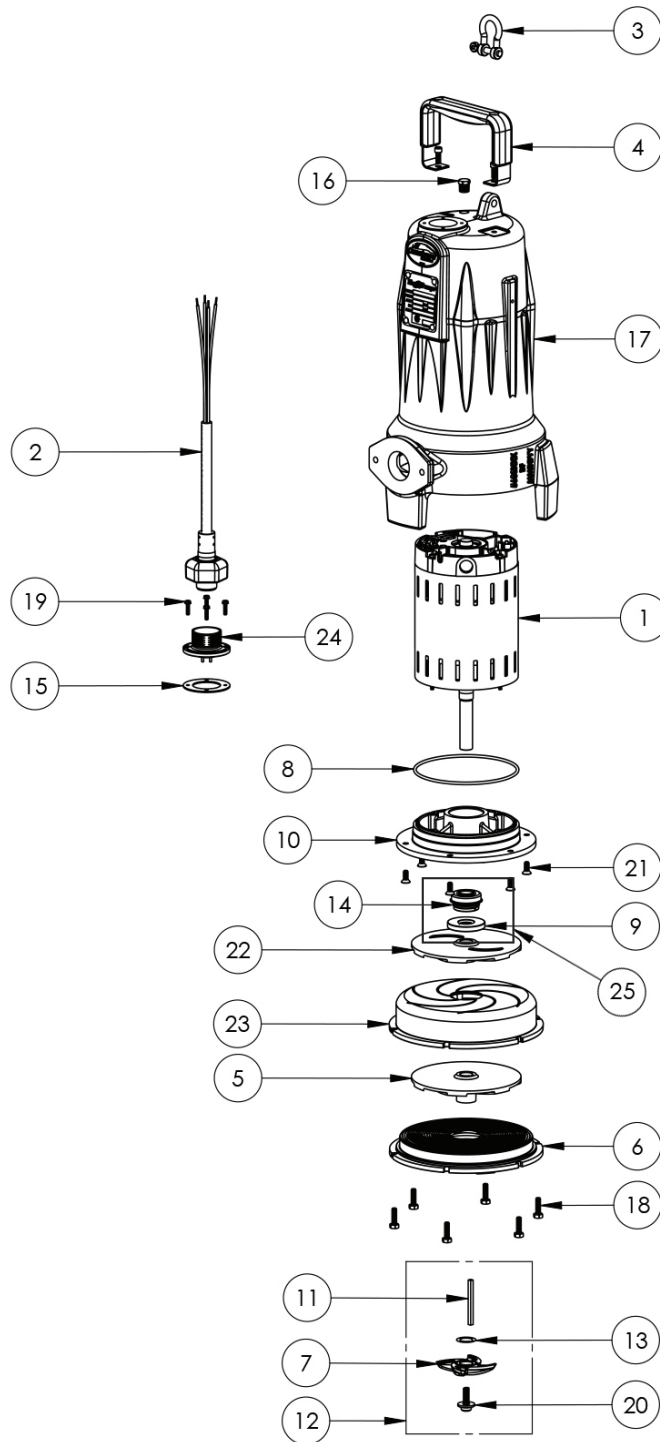


LSGX203M-5 (B43)



LSGX203M-5

LSGX203M-5 (B43)

| # | PART # | DESCRIPTION | QTY | Note |
|----------|---------------|---|------------|-------------|
| 1 | 5735000 | MOTOR | 1 | [1] |
| 2 | K001586 | 56310D0 50' CORD KIT | 1 | |
| 3 | 5611000 | SHACKLE | 1 | |
| 4 | 5613000 | HANDLE | 1 | |
| 5 | 46600B0 | BOTTOM IMPELLER, STAINLESS STEEL | 1 | |
| 6 | K001395 | CUTTER PLATE | 1 | |
| 7 | 5616900 | ROTARY CUTTER | 1 | |
| 8 | 5617000 | O-RING | 1 | |
| 9 | 5618000 | DOUBLE LIP SEAL | 1 | |
| 10 | 5851000 | MOTOR PLATE | 1 | |
| 11 | 56350B0 | KEY | 1 | |
| 12 | K001139 | ROTARY CUTTER KIT | 1 | [2] |
| 13 | K001445 | ROTARY CUTTER SHIM KIT | 2 | |
| 14 | 5633000 | 3/4" UNITIZED SHAFT SEAL | 1 | [1] |
| 15 | 5060000 | CORD PLATE GASKET | 1 | |
| 16 | 50710A0 | PIPE PLUG, 1/4" HEX HD BRASS NPTF | 1 | |
| 17 | 573300R | OMNIVORE HOUSING, 2 STAGE | 1 | |
| 18 | 8024000 | 1/4-20x7/8" HEX HEAD SS BOLT | 6 | |
| 19 | 8064000 | #8-32 x 5/8 HEX WASHER HEAD SCREW | 4 | |
| 20 | 56360A0 | FLANGED IMPELLER BOLT | 1 | |
| 21 | 8018000 | 1/4-20 x 5/8 SLOTTED FLAT HEAD BOLT | 6 | |
| 22 | 46600A0 | TOP IMPELLER | 1 | |
| 23 | 5380000 | CROSSOVER | 1 | |
| 24 | 5629000 | CORDPLATE | 1 | |
| 25 | K001484 | OMNIVORE SEAL KIT, INCLUDES 5618000 AND 5633000 | 1 | [3] |

PART NOTES:

- [1] - Part requires factory authorized service. Contact Liberty Pumps at 1-800-543-2550
- [2] - ForLSG GrinderCutter Replacment Instructions see LSG Grinder Cutter Replacement
- [3] - Omnivore maintenance procedure [click here](#)