

## UPSP-5 SERIES - 1/2 HP

### APPLICATIONS

Pressure boosting for washing vehicles, flooded basements, watering lawns, draining water heaters

### FEATURES

- Non-submersible, inline, portable, all cast iron utility transfer pump with integral carrying handle
- Self-priming to 15 ft (4.6 m) when priming chamber is filled
- Priming chamber plug can be removed and installed by hand and features an o-ring seal
- Can also be used to boost water pressure for washing vehicles, sidewalks, and more
- Convenient 3/4" (19 mm) brass garden hose adapters on intake and discharge
- Engineered thermoplastic impeller
- 3/4" (19 mm) FNPT discharge
- 140 °F (60 °C) liquid temperature rating
- cCSAus listed
- Includes wire form stainless steel suction strainer accessory



### SERIES SPECIFICATIONS

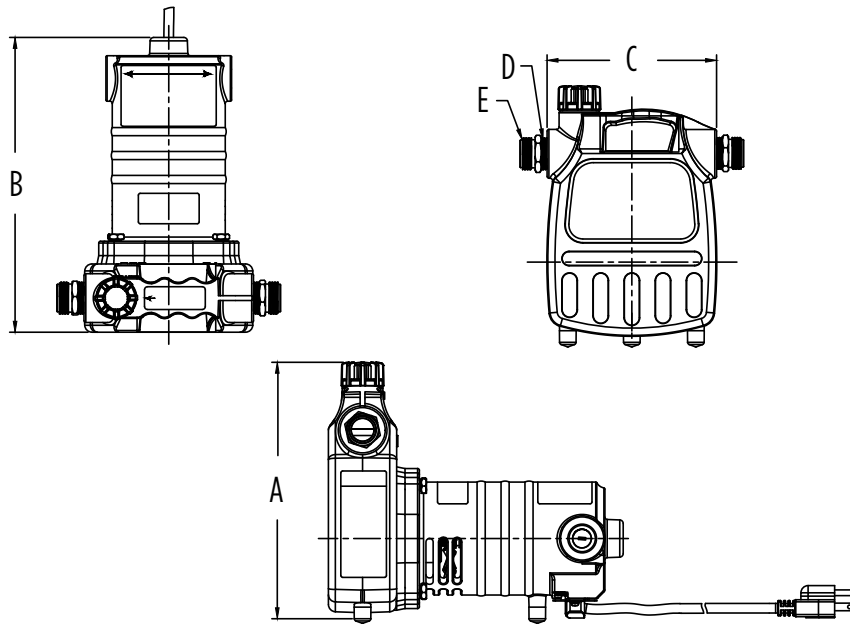
Volts	Hz	Amps	Watts	GPH / Liters per Hour @ Height					Cord Length ft / m	Shut-Off ft / m	PSI
				20 ft / 6 m	40 ft / 12 m	60 ft / 18 m	80 ft / 24 m	100 ft / 30 m			
115	60	10	1020	1600 / 6057	1400 / 5300	1200 / 4542	1000 / 3785	800 / 3028	8 / 2.4	145 / 44	62.9

Item No.	Model	Volts	Operation	Cord	Weight
555104	UPSP-5	115	Self-Priming	10' 3 m	21.25 lbs 9.64 Kg

# UTILITY PUMPS

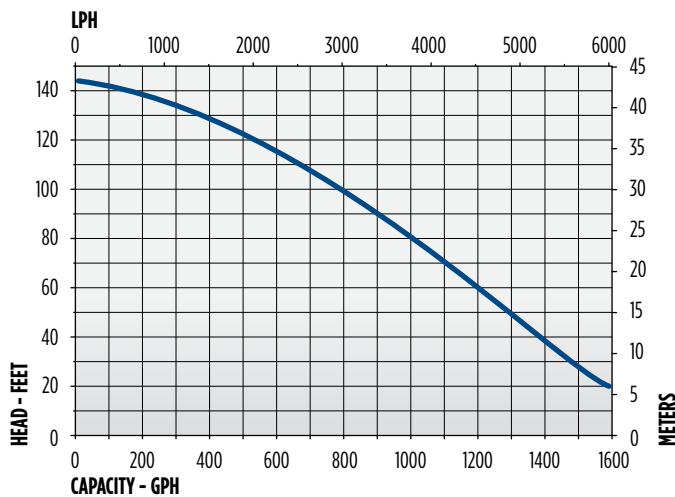
## UPSP-5 SERIES - 1/2 HP

### ENGINEERING DATA



A	B	C	D	E
8.6" (22.0 mm)	10.0" (25.4 mm)	5.6" (14.0 mm)	3/4" MNPT (1.91 cm)	3/4" MGHT (1.91 cm)

### PERFORMANCE DATA



### CONSTRUCTION

<b>Motor Housing</b>	Cast iron
<b>Impeller Material</b>	Thermoplastic
<b>Impeller Type</b>	Semi-open
<b>Volute</b>	Cast iron
<b>Motor Shaft</b>	Carbon steel
<b>Shaft Seal</b>	Carbon/ceramic
<b>Fasteners</b>	Stainless steel
<b>Bearings</b>	Front and back ball bearings
<b>Power Cord</b>	SJT