

# VersAlarm™ 1-Zone Flood Alarm



Leading Edge Control Products

Standard | Rated Type 1, Indoor Alarm Panel

MODEL: VA-02, FLOOD ALARM with FLOOD SENSOR

TECHNICAL DATA SHEET

## DESCRIPTION OF OPERATION

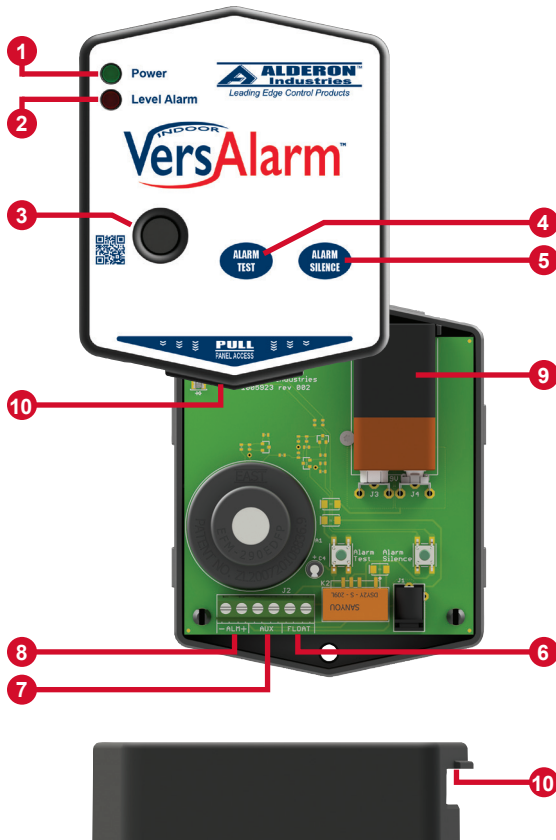


The VersAlarm™ 1-Zone Flood Alarm is an indoor rated alarm panel, powered by a standard 120VAC wall outlet. The green power LED will illuminate (solid) when powered.

The alarm panel is equipped with audible and visual alarm indication, activated by a WaterSpotter™ Flood Sensor (normally open) placed on the floor in areas prone to flooding and connected to the terminal block. A variety of sensors can be used such as a float switch, pressure switch, or any "dry" type sensor that "closes" during an alarm condition (normally open or normally closed). Installing a 9VDC battery (not included) provides battery backup during power outages. Use the auxiliary contacts to connect to building automation systems (BAS) and phone dialers. Multiple sensors (signaling device) can be connected for expanded monitoring.

An alarm condition occurs when water touches the two probes on the sensor, during which the red alarm LED will illuminate (solid), buzzer will annunciate (solid), and the auxiliary contacts will activate. The alarm condition will stay on until the water level recedes below the two probes on the sensor. If the alarm silence pushbutton is pressed during an alarm condition, it will silence the buzzer while the alarm LED remains on. The silence condition will reset when the sensor deactivates and the alarm panel will auto reset for the next alarm cycle.

## STANDARD FEATURES



(1) **Power LED** - A green LED illuminates (solid) on the front of the alarm panel to indicate the power is on.

(2) **Alarm LED** - During a level alarm condition, the red alarm LED will illuminate (solid) on the front of the alarm panel.

(3) **Alarm Buzzer** - The alarm buzzer will annunciate (solid) in addition to the visual indication provided by the red level alarm LED during an alarm condition.

(4) **Alarm Test Pushbutton** - Press the pushbutton to test the alarm to ensure proper operation. The buzzer should annunciate, alarm LED should illuminate, and auxiliary contacts should activate.

(5) **Alarm Silence Pushbutton** - Press the pushbutton to silence the buzzer during an alarm condition. The alarm LED remains illuminated until the alarm condition has been cleared and the alarm panel will auto reset for the next alarm cycle.

(6) **Sensor Inputs** - Connect a field installed sensor to the terminals from the monitoring area.

(7) **Auxiliary Contacts** - Interface with an external device including BAS systems and phone dialers. The contacts (normally open) are rated 24VDC at 500mA maximum.

(8) **Secondary Alarm Device Inputs** - Provides a secondary remote alarm notification (Alderon™ indoor/outdoor LED strobe beacon).

(9) **Battery Backup** - Install a 9VDC battery (not included) for battery backup during power outages. The power LED will not illuminate during battery backup mode to conserve battery power.

(10) **Panel Access** - Pull the cover off to access the panel, includes an open wiring compartment to safely route wires while connecting sensors and auxiliary dry contacts.

# SPECIFICATIONS

## VersAlarm™ 1-Zone Flood Alarm



**Primary Power**  
120VAC, 50/60 Hz

**Circuit Board Primary Power**  
11.1VDC, 500mA maximum

**Circuit Board Secondary Power**  
9VDC, standard 9VDC battery  
(battery backup; not included)

**Watts**  
1.4 Watts

**Field Connection Sensor**  
9-10VDC, 200mA minimum  
(signaling device)

**Auxiliary Contacts**  
24VDC, 500mA maximum  
Normally Open; Single Pole, Single Throw

**Auxiliary Alarm Power**  
8-10.2VDC, 150mA maximum

**LEDs**  
Green (power) and Red (alarm)

**Buzzer**  
85 dB @ 10-feet

**Wall-Mounted Power Supply**  
120VAC, 50/60 Hz (input)  
11.1VDC, 500mA maximum (output)  
(6-foot cord)

**Enclosure**  
Thermoplastic  
5 x 4 x 1.3 (inches)  
Type 1, Indoor  
Removable Cover

**Certifications**  
CSA (US and Canada)

**Three-Year Limited Warranty**

## WaterSpotter™ Flood Sensor (AWS)

**Electrical**  
9-12VDC

**Operating Current**  
3mA

**Switching Current**  
500mA maximum

**Probes**  
Stainless Steel

**Detection Level**  
1/16-inch of water in monitoring area

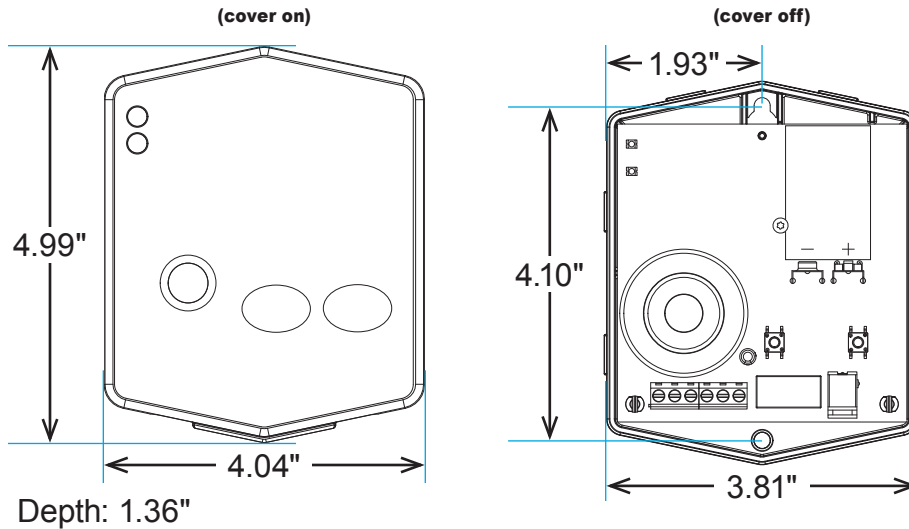
**Cable Type**  
PVC, 22 gauge, 2-conductor, 15-feet  
(custom lengths available)

**Three-Year Limited Warranty**

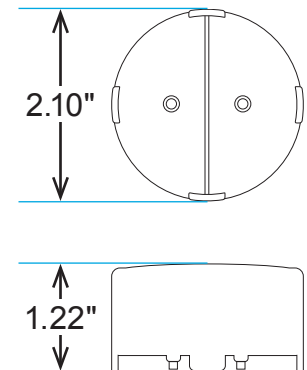
**CAUTION:** Connect ONLY to Alderon™ alarm panel monitoring systems.

# MECHANICAL DRAWING

VersAlarm™ 1-Zone Flood Alarm



WaterSpotter™ Flood Sensor



# ORDERING INFORMATION

For a complete list of standard products with pricing, refer to the current year price sheet or visit [alderonind.com](http://alderonind.com) for more information.

PART NUMBER	DESCRIPTION (Alarm Panel includes: Auto Reset, Battery Backup, and Auxiliary Contacts)
7003	VersAlarm™ - Flood Alarm, 15' WaterSpotter™ Flood Sensor
<b>VERSALARM™ INDOOR ALARM ACCESSORIES   EXPANDED APPLICATIONS</b>	
7008	WaterSpotter™ Flood Sensor, AWS Series, 15' Cable
2000519	Alarm Advisor™ Sump Sensor with Bracket (24VDC, 100mA maximum), 15' Cable, Stainless Steel Pipe Clamp
2001077	15' Altra™ Narrow Angle Control Switch, Normally Open (high level), Stainless Steel Pipe Clamp, Bagged
2001104	20' Altra™ Narrow Angle Control Switch, Normally Open (high level), Stainless Steel Pipe Clamp, Bagged
7933	Strobe Beacon, 6-12VDC