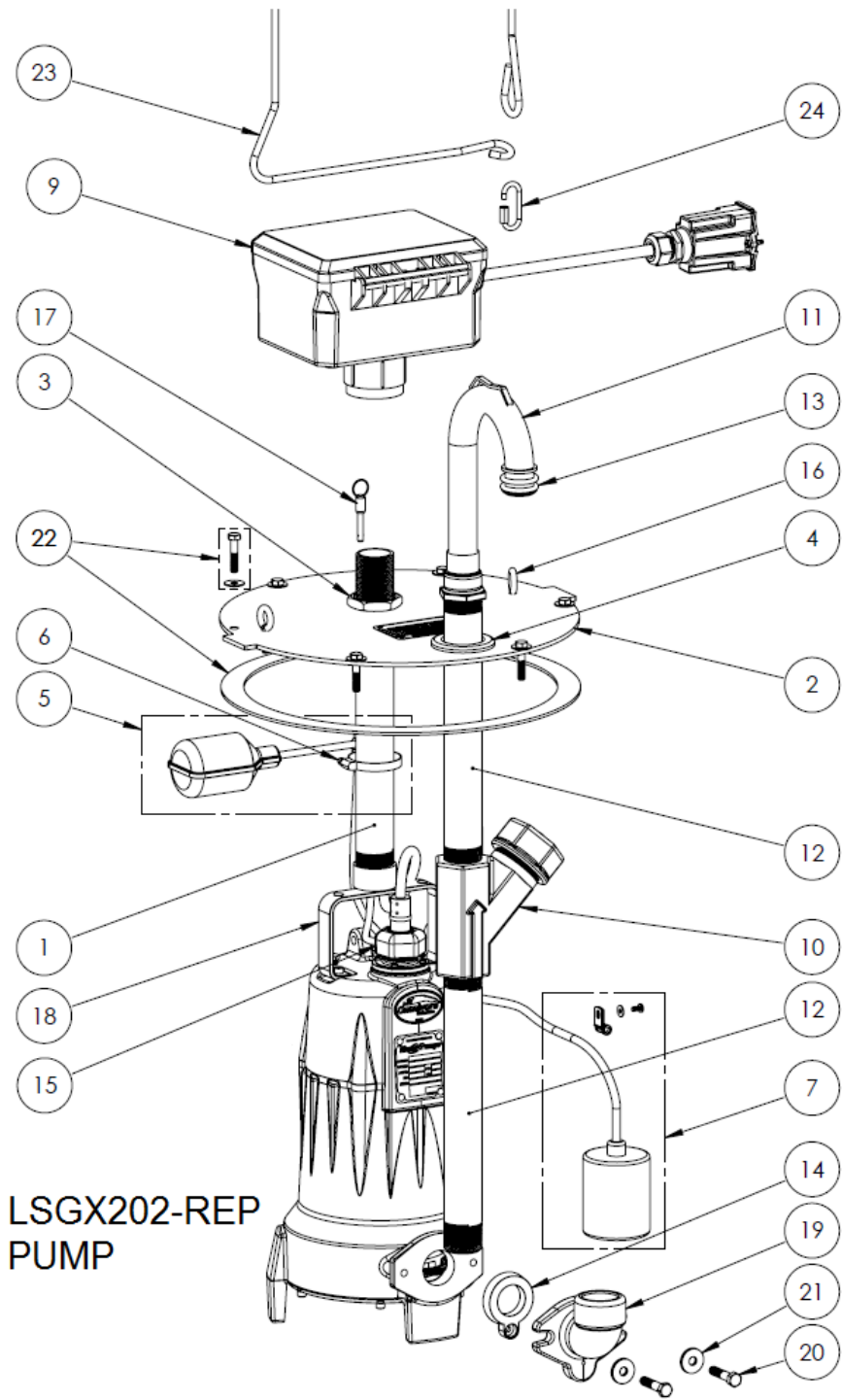


LSGX202-RE (B53)



LSGX202-RE**LSGX202-RE (B53)**

#	PART #	DESCRIPTION	QTY	Note
1	5669000	1-1/4" PIPE HANGER, STRAIGHT THREADS	1	
2	5661000	COVER	1	
3	5670000	1-1/4" GALVANIZED PIPE NUT	2	
4	K001353	4766000 PIPE SEAL GROMMET, 1-1/4" PIPE	1	
5	K001301	ALARM SWITCH WITH CLAMP	1	
6	5870000	SWITCH CLAMP	1	
7	K001302	PUMP SWITCH INCLUDING HARDWARE	1	
9	K001244	ELECTRICAL ENCLOSURE	1	
10	ACV125	1.25" ANTI-SIPHON VALVE	1	
11	5738000	DISCHARGE ELBOW, STAINLESS STEEL	1	
12	56710A0	DISCHARGE PIPE, 1-1/4", STAINLESS STEEL	2	
13	5666000	O-RING	2	[1]
14	5644000	1-1/4" FLANGE SEAL GROMMET	1	
15	K001303	POWER CORD ASSY	1	
16	5673000	EYEBOLT	2	
17	5662000	QUICK RELEASE PIN	1	
18	56740A0	PUMP HANDLE / HANGER	1	
19	G90	FLANGED ELBOW KIT, INCLUDES GASKET, SCREWS AND WASHER	1	
20	8143000	SCREW, 3/8-16 x 1-3/4 LG, SS	2	
21	8158000	WASHER, 3/8 x 1-1/8, SS	2	
22	K001304	COVER GASKET INCLUDING HARDWARE	1	
23	5667000	14 FT BLACK ROPE, SPECIAL ENDS	1	
24	4755000	3/16" QUICK LINK, STAINLESS STEEL	1	

PART NOTES:

[1] - Part requires factory authorized service. Contact Liberty Pumps at 1-800-543-2550