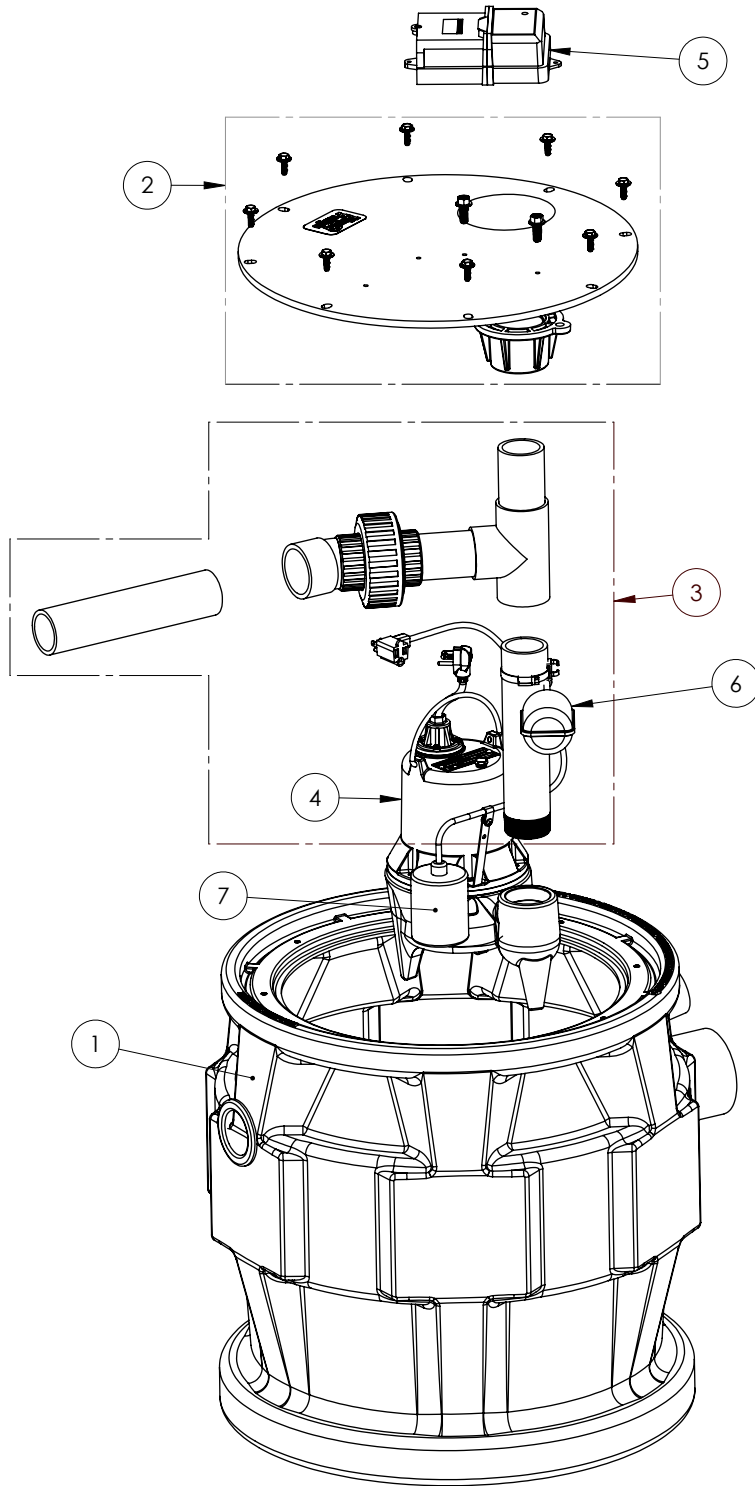


P382LE41SD-2\_A2W (B10)



P382LE41SD-2\_A2W (B10)

#	PART #	DESCRIPTION	QTY	Note
1	K001536	TANK KIT SIDE DISCHARGE P380	1	
2	K001533	COVER KIT, SIDE DISCHARGE P380	1	
3	K001534	GLUED PIPING KIT, SIDE DISCHARGE P380	1	
4	LE41M-2	4/10 HP SEWAGE PUMP 115V, 25' POWER CORD	1	
5	ALM-2W	115V ALARM, WEATHERPROOF	1	
6	K001134	FLOAT SWITCH, 20FT CORD, INCLUDES 1 SWITCH PER KIT	1	
7	61130B0	25' SW. FLOAT 115V N/O	1	