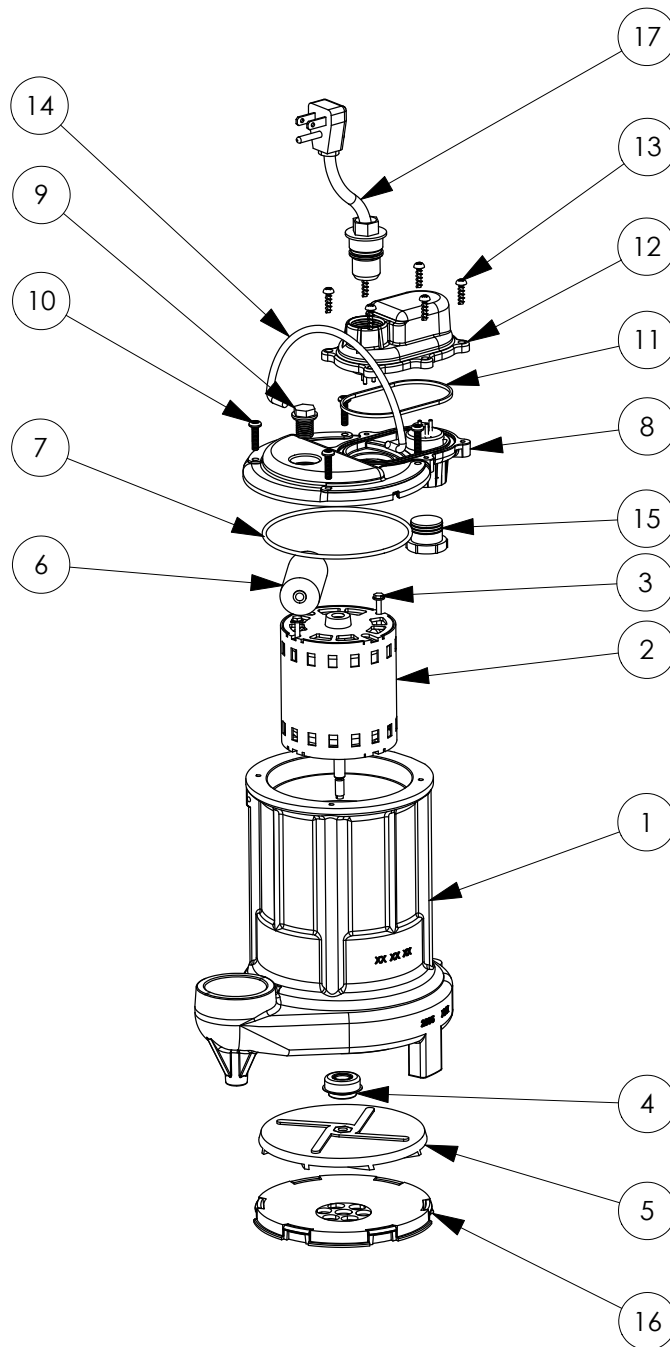


250 (B10)



## 250 (B10)

| #  | PART #  | DESCRIPTION                           | QTY | Note |
|----|---------|---------------------------------------|-----|------|
| 1  | 25050AG | CAST IRON HOUSING WITH HOLE           | 1   |      |
| 2  | 2329000 | PSC MOTOR                             | 1   |      |
| 3  | 8079000 | MOTOR STATOR BOLTS                    | 2   | [1]  |
| 4  | 2309000 | 5/16 SHAFT SEAL                       | 1   |      |
| 5  | K001093 | IMPELLER                              | 1   |      |
| 6  | 23430E0 | CAPACITOR                             | 1   |      |
| 7  | 2357000 | O-RING                                | 1   | [1]  |
| 8  | 240600G | MOTOR COVER, GREY                     | 1   |      |
| 9  | 8089000 | OIL PLUG, O-RING ASSEMBLY             | 1   |      |
| 10 | 8072000 | #10 - 24 x 3/4" SCREW                 | 4   |      |
| 11 | K001046 | SEALRING, CHAMBER COVER               | 1   |      |
| 12 | 240700G | CHAMBER COVER, GREY                   | 1   |      |
| 13 | 8104200 | #10 HILO X 5/8" STAINLESS STEEL SCREW | 6   |      |
| 14 | K001082 | HANDLE                                | 1   |      |
| 15 | 8105000 | PROTECTIVE CAP                        | 1   |      |
| 16 | 2502000 | PLASTIC SCREEN                        | 1   |      |
| 17 | K001010 | POWER CORD, 115V, 10 FOOT CORD        | 1   |      |

**PART NOTES:**

[1] - Part requires factory authorized service. Contact Liberty Pumps at 1-800-543-2550