

LittleGIANT®

WATER FEATURES & POND PRODUCTS

PRODUCT CATALOG



TABLE OF CONTENTS

WATER PUMPS

Little Giant® Pumps	4
Wet Rotor Pumps	4
F-Series.....	4
FP-Series.....	6
Magnetic Drive Pumps	7
PES-Series.....	7
Direct Drive Pumps	8
PE-Series.....	8
Stainless Steel & Bronze.....	9
WGP-Series.....	10
WGFP-Series.....	11
Small Submersible	12
Helpful Information	13

FOUNTAINS & FEATURES

Disappearing Water Features	14
Basins, Vaults, & Fittings.....	14
Waterfall Weirs	15
Fountain Nozzles	16

AERATION SYSTEM

Aeration System	17
------------------------------	-----------

FILTRATION

Mechanical filtration	18
Pump Pre-Filters.....	18
Skimmers.....	19
Biological filtration	20
Waterfall Filters.....	20
UVC Ultraviolet Clarifiers	21

LIGHTING & CONTROLS

LED Lighting	22
LED EggLites.....	22
LED-K Lighting.....	22
Halogen Lighting	23
LVL Lighting.....	23
LIC Lighting.....	23

CONSTRUCTION

Virtual Pond Kits	24
Plumbing	25
Fittings.....	25
Liners & Accessories	26

POND CARE

Protection	27
Low Water Shut-Off.....	27
Fall & Winter	27
Pond Netting & Winter.....	27
Accessories	28
Aquatic Plant Baskets.....	28
Fish Nets.....	28
Replacement Parts	29

MERCHANDISING SYSTEM

Additional Product Lines	30
---------------------------------------	-----------

INDEX

Index of Items Alphabetically by Model	31
Index of Items Numerically by Item Number	33

For the most up-to-date product information, visit littlegiant.com.

Every effort has been made to ensure the accuracy of the information provided in this catalog. Little Giant reserves the right to change any information contained in this catalog without notice. Stenographic and clerical errors are subject to corrections.

FRANKLIN ELECTRIC COMPANY & LITTLE GIANT® PRODUCTS

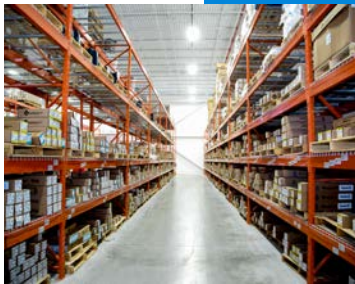
Franklin Electric is a global leader in the production and marketing of systems and components that move water and automotive fuels. A world-renowned technical leader in its specialties, Franklin Electric serves residential, commercial, agricultural, industrial, municipal, and fueling customers.

Staffed by over 5,000 dedicated employees worldwide, Franklin Electric has manufacturing and distribution facilities located in 18 countries.

Little Giant® products are delivered worldwide without sacrificing personal service. Our unique customer assistance program matches highly trained customer service professionals with specific geographic regions, so they can maintain a thorough knowledge of a territory and its unique needs based on weather, trends, and more. With on-site engineers, we have the advantage in the market for developing new products, resolving issues, and general innovation.

Quality, availability, service, innovation, and cost bring value to Little Giant® products. An extensive market research on customer preferences of product features, informative marketing materials, and unique programs are the business components that keep customer confidence levels high.

Franklin Electric engineers design products for easy installation, high performance, long life, and exceptional value.



Our 200,000 sq ft centrally-located warehouse enables fast and complete fill rates.



Responsive employees are ready to offer expert assistance.

METRIC CONVERSIONS

Metric Conversions: We are honored to offer our products to multiple countries to support all of our customers. All of the formulas and equations throughout the catalog are in U.S. units. If you prefer to use metric units, we offer conversion formulas on the right. The letters and symbols in parentheses are other ways that word is substituted.

Equations		
Distance	Feet (ft) (') x 0.3048 = Meter	Meter x 3.28 = Feet (ft) (')
	Inches (") x 2.54 = Centimeter	Centimeter x 0.39 = Inches (")
Volume	Gallons (g) x 3.78 = Liter	Liter x 0.264 = Gallons (g)
Pressure	PSI x 0.07 = Bar	Bar x 14.5 = PSI

STEP-BY-STEP SIZING GUIDE

Every pond and fountain has different sizing requirements for the equipment needed. For your feature to be enjoyed with minimal maintenance, it is important to select a properly sized pump, filter, liner, etc. Visit our website, www.littlegiant.com, for additional information and to download and print a sizing guide grid. All measurements are in feet and gallons.

1. The first step in any feature is to size the liner required for containment. Use the same formula for both the width and depth of the liner:

$$\text{Length} + (2 \times \text{Depth}) + 2 = \text{Length of liner}$$

$$\text{Width} + (2 \times \text{Depth}) + 2 = \text{Width of liner}$$

2. Now that the containment is sized, the next step in sizing any feature is determining the amount of water you will have. To calculate gallons, use this formula:

$$\text{Length (ft)} \times \text{Width (ft)} \times \text{Depth (ft)} \times 7.48 = \text{Gallons}$$

3. All of the equipment for a pond or water garden is sized by the number of gallons that it contains. By flowing water at least once an hour through the filtration system, the amount of required maintenance is reduced. The flow down the stream and waterfall needs are calculated so it appears natural. Equipment selection is based on the size of the flow.

A 3,000 gallon pond will require products that can handle at least 3000 gallons per hour of flow.

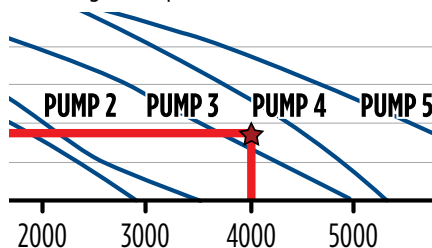
$$\text{Width of stream (waterfall) ft} \times 1200 \text{ gph} = \text{Stream flow to appear natural}$$

4. The most important component of a feature is the pump. It is the heart of the pond, circulating the water through the filter and back down the stream into the pond. To determine the correct pump, the height from which it must push the water needs calculated.

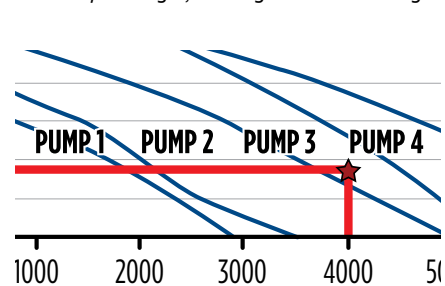
Measure vertical distance from top of water level to discharge point (top of waterfall)

5. Now that the vertical distance the pump must push the water is known, a pump can be selected. There are multiple ways to select pumps and multiple styles of pumps to choose from. The primary method is a pump curve. When viewing a pump curve, the flow rate is on the top and bottom, and the height-to-push is on the sides.

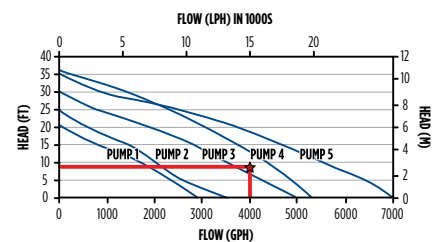
A. Select your required flow rate on the chart, drawing a line up.



B. Select your height, drawing a line from the right.



C. Choose the pump with a curve that is just above that point (example below, select Pump 4).



Use the information you calculated to browse through our product offering and select the best quality products for years of future enjoyment. Should you have any product-related questions, please visit our website at www.littlegiant.com or contact our technical support team at 888.956.0000.

LITTLE GIANT® PUMPS

Franklin Electric has developed the broadest and most reliable line of Little Giant® pumps on the market. Pumps are the heart of any water feature, because circulation is the key to a healthy aquatic environment. To facilitate that circulation, Little Giant® pumps are available in a complete range of flow rates. Each exceptionally-engineered pump features rugged construction to install easily and last for years.

F-SERIES PUMPS



WET ROTOR PUMPS - F-SERIES

Our wet rotor canned motor pumps are designed with multi-purpose flexibility right into the pump. They can be used submersed or externally, mounted vertically or horizontally. With MNPT threads and fittings built in, attaching fittings is a breeze. The included pre-filter makes these pumps built for flexibility and durability in any decorative water application.



FEATURES

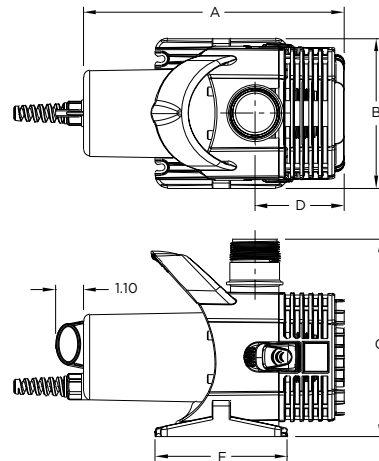
- Constructed without mechanical seal or oil
- Screw attachment to hold screen in place
- Rope/cable loop for deep installation retrieval
- Modular screen ability

ORDERING INFORMATION

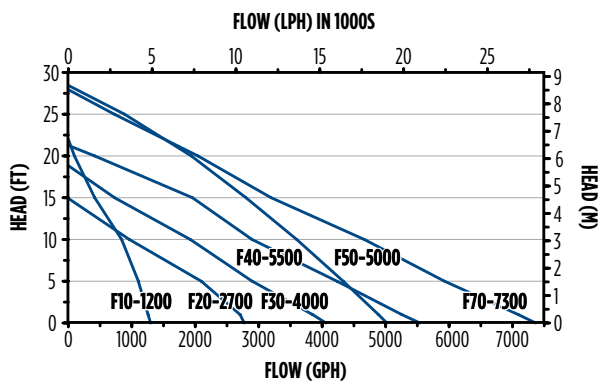
F-Series	Item No.	Amps	Watts	Cord (ft)	Submerged Use	Inline Use	Discharge & Inlet MNPT & SPIG	Gallons Per Hour (GPH) at height							Shut-off (ft)
								0'	1'	5'	10'	15'	20'	25'	
F10-1200	566724	1.3	157	20'	✓	✓	1.5"	1295	1255	1105	840	415	95	-	22'
F20-2700	566725	1.25	147	20'	✓	✓	1.5"	2770	2705	2095	960	-	-	-	14.9'
F30-4000	566726	1.82	215	20'	✓	✓	2"	4060	3850	2900	1920	730	-	-	18.8'
F40-5500	566727	3.0	360	20'	✓	✓	2"	5540	5255	4235	2895	1955	415	-	21.3'
F50-5000	566728	3.6	413	20'	✓	✓	2"	5020	4890	4330	3600	2800	1940	885	28.5'
F70-7300	566729	5.5	660	40'	✓	✓	2"	7365	7095	5930	4665	3195	2040	725	28'

DIMENSIONS

Dimensions (in)	A	B	C	D
F10-1200	9.93	5.71	7.54	3.40
F20-2700	9.93	5.71	7.54	3.40
F30-4000	13.25	6.10	8.00	5.60
F40-5500	13.25	6.10	8.00	5.60
F50-5000	13.25	6.10	8.00	5.60
F70-7300	13.25	6.10	8.00	5.60



PERFORMANCE



* Pump performance at 120 VAC with no intake screen



WET ROTOR PUMPS - FP-SERIES

Our wet rotor water feature pumps are energy efficient and ideal for powering water features and pond filtration systems with flow requirements from 1,000 gph to 8,100 gph. These pumps are rated for continuous duty to operate in the most rigorous applications.



FP1



FP9

FEATURES

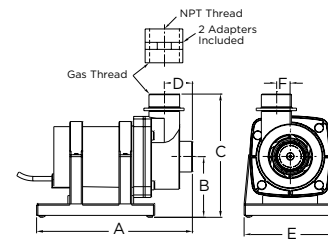
- Fitting adapters included
- Use with a screen or skimmer recommended
- Energy efficient
- Can be used externally or submerged

ORDERING INFORMATION

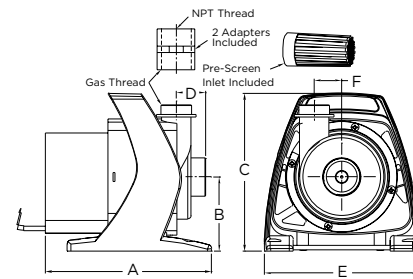
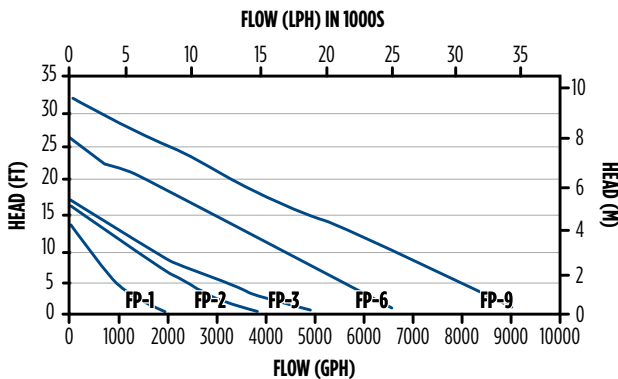
FP-Series	Item No.	Amps	Watts	Cord (ft)	Submerged Use	Inline Use	Inlet FNPT	Discharge FNPT	Gallons Per Hour (GPH) @ Height					Shut-off (ft)
									5'	10'	15'	20'	25'	
FP1	566132	0.9	106	26	✓	✓	1-1/4"	1-1/4"	1000	390	-	-	-	14
FP2	566133	1.45	167	26	✓	✓	1-1/2"	1-1/2"	2220	1210	400	-	-	16
FP3	566134	1.85	226	26	✓	✓	2"	2"	3200	1640	690	-	-	17
FP6	566135	4.6	557	26	✓	✓	2"	1-1/2"	5760	4380	3000	1730	350	27
FP9	566137	6.5	730	26	✓	✓	2"	2"	8100	6580	4860	3290	1930	31

DIMENSIONS

Dimensions (in)	A	B	C	D	E	F
FP1	9.2	3.8	7.7	1.6	5.7	1.0
FP2	9.5	3.8	7.7	1.7	5.7	0.85
FP3	10.3	3.8	7.8	2.1	5.7	1.0
FP6	10.0	4.4	9.6	1.8	9.5	1.7
FP9	10.0	4.4	9.6	2.1	9.5	1.7



PERFORMANCE



FP1, FP2, FP3, FP6, FP9

MAGNETIC DRIVE PUMPS - PES-SERIES

Designed to operate continuously with minimal energy consumption, magnetic drive pumps offer a corrosion-resistant body specifically for submersible use. Easy to install and maintain, magnetic drive pumps are ideal for a variety of applications.



FEATURES

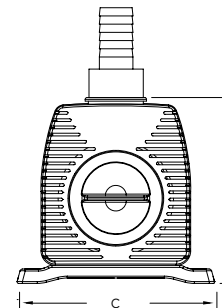
- Built-in adjustable flow control valve
- Ceramic shaft for longer life
- Great for tabletop features

ORDERING INFORMATION

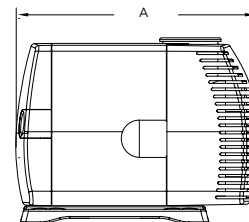
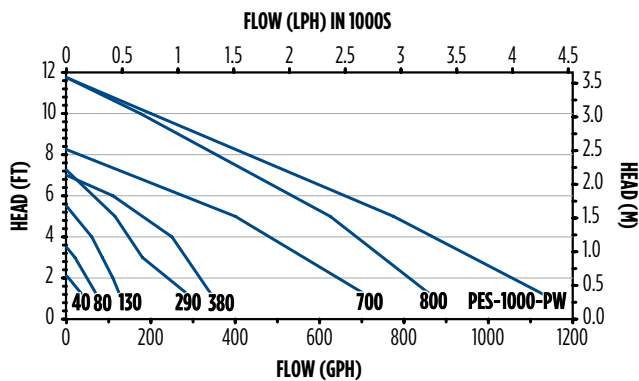
PES-Series	Item No.	Amps	Watts	Cord (ft)	Submerged Use	Discharge Barb	Gallons Per Hour (GPH) @ Height				Shut-off (ft)
							1'	3'	5'	10'	
PES-40-PW	566713	0.03	2.5	6'	✓	1/2", 3/8"	45	-	-	-	2.1
PES-80-PW	566714	0.14	8	6'	✓	1/2", 3/8"	77	20	-	-	3.5
PES-130-PW	566716	0.23	11	6'	✓	1/2", 5/8"	130	85	-	-	5.5
PES-290-PW	566717	0.4	23	6'	✓	1/2", 5/8"	300	180	115	-	7.25
PES-380-PW	566718	0.64	33	15'	✓	1/2", 5/8"	350	285	180	-	7
PES-700-PW	566720	0.75	57	15'	✓	3/4"	725	560	400	-	8.25
PES-800-PW	566721	0.95	109	15'	✓	3/4"	875	750	625	175	11.75
PES-1000-PW	566722	1.4	160	15'	✓	1"	1150	965	775	200	11.75

DIMENSIONS

Dimensions (in)	A	B	C
PES-40-PW	1.9	1.16	1.7
PES-80-PW	2.8	2.3	1.9
PES-130-PW	3.5	3.2	2.8
PES-290-PW	3.7	3.6	2.7
PES-380-PW	4.2	3.6	2.7
PES-700-PW	5.3	4	4.3
PES-800-PW	5.3	4	4.3
PES-1000-PW	5.7	4.4	4.3



PERFORMANCE



DIRECT DRIVE PUMPS - PE-SERIES

Designed to operate continuously, direct drive pumps produce greater starting torque and more pressure than comparable magnetic drive pumps. Direct drive pumps are ideal for statuary fountains. Pre-filter is included to protect the pump.



FEATURES

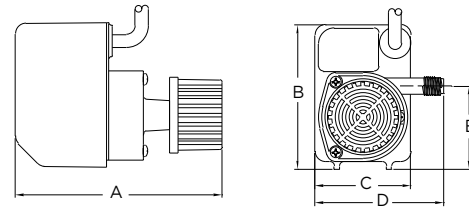
- Hooded volute option for lower intake (fountain)
- Hooded volute indicated by "H"
- Compact design

ORDERING INFORMATION

PE-Series	Item No.	Amps	Watts	Cord (ft)	Submerged Use	Discharge MNPT	Gallons Per Hour (GPH) @ Height				Shut-off (ft)
							1'	3'	5'	10'	
PE-1H-PW	566604	0.6	36	6'	✓	1/4"	170	140	100	-	7
PE-1F-PW	566608	0.6	36	15'	✓	1/4"	170	140	90	-	7
PE-2H-PW	566609	0.8	47	6'	✓	1/4"	300	255	205	70	12.2
PE-2F-PW	566611	0.8	47	15'	✓	1/4"	300	270	240	130	12.2
PE-2.5F-PW	566612	1.4	80	15'	✓	1/2"	475	440	395	205	13.4

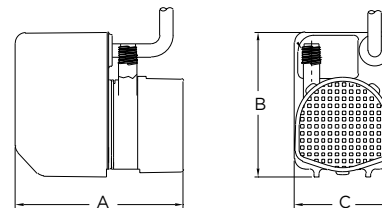
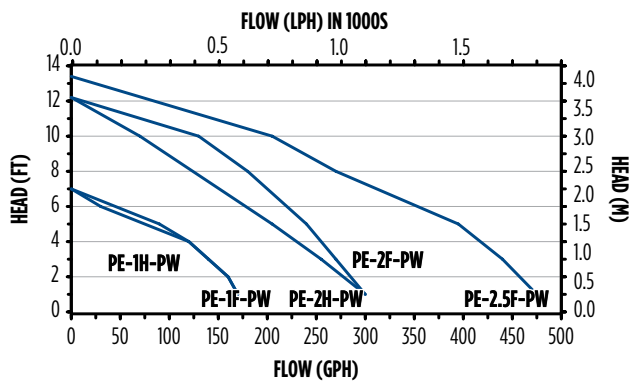
DIMENSIONS

Dimensions (in)	A	B	C	D	E
PE-1H-PW	3.48	3.58	2.75	-	-
PE-1F-PW	4.9	3.6	2.8	0.9	1.89
PE-2H-PW	4.83	4.15	2.75	-	-
PE-2F-PW	5.6	4.2	2.8	0.9	2.38
PE-2.5F-PW	5.6	4.02	2.9	1.06	2.24



PE-2.5-PW, PE-2F-PW, PE-1F-PW

PERFORMANCE



PE-2H-PW, PE-1H-PW

DIRECT DRIVE PUMPS - STAINLESS STEEL & BRONZE

Our premium stainless steel and bronze pumps come in five models and are a favorite in the industry. These trouble-free pumps can be used in fresh, salt, chlorinated or brominated water and can even be used in hot water up to 110 °F. These versatile pumps can be used submerged or in open air below water level for ponds, water gardens, medium to large fountains, water displays, waterfalls, streams, and for aeration.



S900T



S225T

FEATURES

- Made in the U.S.A.
- Quiet operation
- Mounting stand option

ORDERING INFORMATION

S-Series	Item No.	Amps	Watts	Cord (ft)	Submerged Use	Inline Use	Discharge MNPT	Intake MNPT	Gallons Per Hour (GPH) @ Height				Shut-off (ft)
									1'	5'	10'	15'	
S225T-6	517000	0.7	60	6'	✓	✓	1/4"	1/2"	200	81	-	-	5.7
S225T-20	517001	0.7	60	20'	✓	✓	1/4"	1/2"	200	81	-	-	5.7
S320T-6	517002	1.2	89	6'	✓	✓	1/4"	1/2"	290	255	163	-	13.5
S320T-20	517003	1.2	89	20'	✓	✓	1/4"	1/2"	290	255	163	-	13.5
S320T-50	517004	1.2	89	50'	✓	✓	1/4"	1/2"	290	255	163	-	13.5
S580T-6	517005	2.2	203	6'	✓	✓	1/2"	1/2"	755	590	320	-	12
S580T-20	517006	2.2	203	20'	✓	✓	1/2"	3/4"	755	590	320	-	12
S580T-50	517007	2.2	203	50'	✓	✓	1/2"	3/4"	755	590	320	-	12
S900T-6	517008	2.5	234	6'	✓	✓	1/2"	3/4"	810	667	425	-	14
S900T-20	517009	2.5	234	20'	✓	✓	1/2"	3/4"	810	667	425	-	14
S900T-50	517010	2.5	234	50'	✓	✓	1/2"	3/4"	810	667	425	-	14
S1200T-6	517011	3.4	255	6'	✓	✓	1/2"	3/4"	868	745	580	240	18
S1200T-20	517012	3.4	255	20'	✓	✓	1/2"	3/4"	868	745	580	240	18
S1200T-50	517013	3.4	255	50'	✓	✓	1/2"	3/4"	868	745	580	240	18

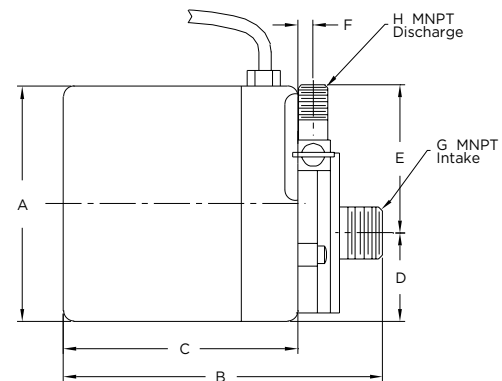
ACCESSORIES

Stainless Steel & Bronze Pump Accessories	Item No.	Amount
SPB1 - Positioning Bracket Fits S580, S900, S1200	517500	1 per pack

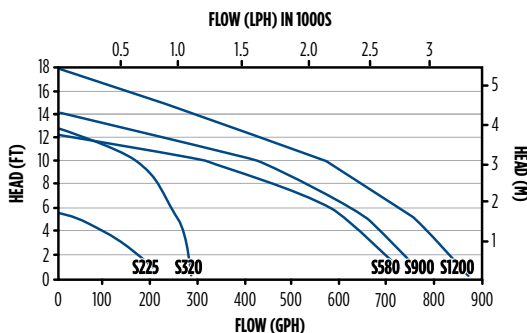


DIMENSIONS

Dimensions (in)	A	B	C	D	E	F	G MNPT	H MNPT
S225T	4.0	4.5	3.0	1.5	2	0.3	1/2"	1/4"
S320T	4.0	4.5	3.0	1.4	2.36	0.3	1/2"	1/4"
S580T	4.5	6.5	4.7	2.25	2.75	0.5	3/4"	1/2"
S900T	4.5	6.5	4.7	2.25	2.75	0.5	3/4"	1/2"
S1200T	4.5	6.5	4.7	2.25	2.75	0.5	3/4"	1/2"



PERFORMANCE



DIRECT DRIVE PUMPS - WGP-SERIES

Efficient, oil-less, direct-drive, dual-discharge pumps produce greater pressure, so each can serve two water features simultaneously. Installed either vertically or horizontally, the corrosion-resistant submersible body is designed for non-potable, continuous operation.



FEATURES

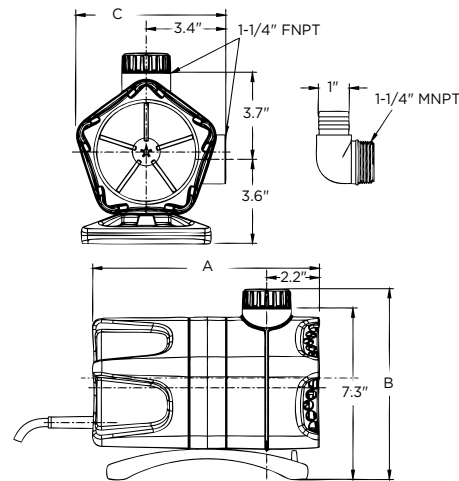
- Use vertically or horizontally
- Removable pre-filter for cleaning
- Ideal for filtration, waterfall, and streams

ORDERING INFORMATION

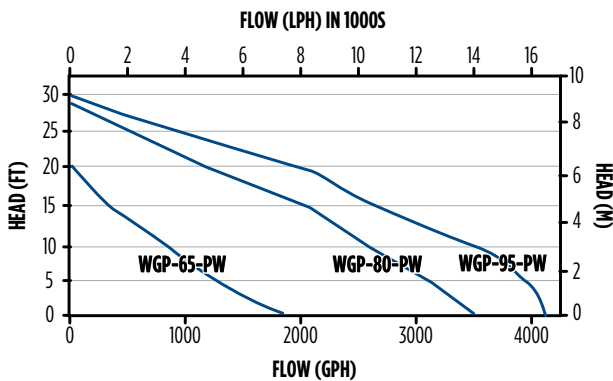
WGP Series	Item No.	Amps	Watts	Cord (ft)	Submerged Use	Discharge FNPT	Gallons Per Hour (GPH) @ Height						Shut-off (ft)
							1'	5'	10'	15'	20'	25'	
WGP-65-PW	566409	2	230	16'	✓	1-1/4"	1900	1250	785	325	-	-	20
WGP-80-PW	566417	6.3	700	16'	✓	1-1/4"	3500	3200	2700	2100	1300	695	29.5
WGP-95-PW	566407	6.3	700	16'	✓	1-1/4"	4280	4000	3500	2850	2200	1370	30

DIMENSIONS

Dimensions (in)	A	B	C
WGP-65-PW	9.6	8.1	6.35
WGP-80-PW	11.0	8.1	6.35
WGP-95-PW	11.0	8.1	6.35



PERFORMANCE



DIRECT DRIVE PUMPS - WGFP-SERIES

Constructed with stainless steel, cast iron and durable thermoplastic, our solids-handling submersible water feature pumps meet the rigorous demands of the most impressive water features. This year we have added a larger size to meet all of your decorative water needs.



FEATURES

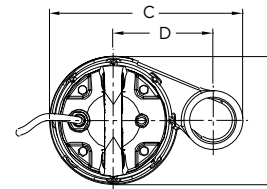
- Designed for water features
- Dual seals for added protection in larger models
- Great as replacement pump and for new construction

ORDERING INFORMATION

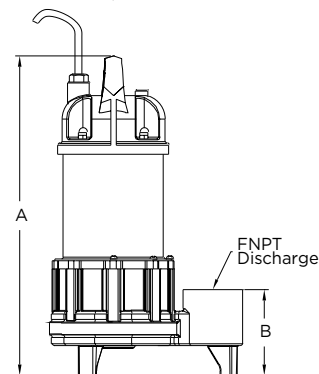
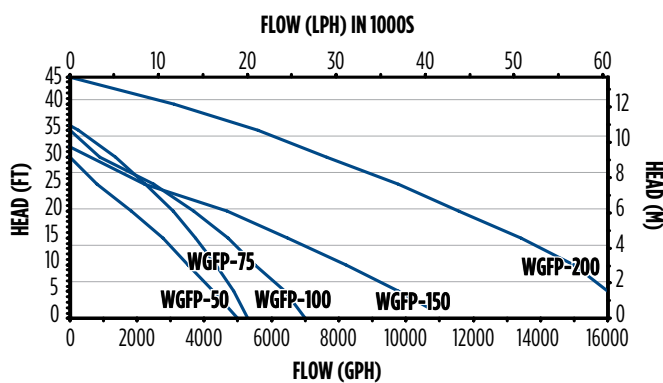
WGFP Series	Item No.	Amps	Watts	Volts	Cord (ft)	Submerged Use	Discharge FNPT	Gallons Per Hour (GPH) @ Height								Solids Diameter	Shut-off (ft)	
								5'	10'	15'	20'	25'	30'	35'	40'			
WGFP-50	566068	7	590	115 V	19'	✓	2"	4280	3520	2780	1830	800	-	-	-	-	1.18"	30
WGFP-75	566069	8	847	115 V	19'	✓	2"	4890	4350	3750	3070	2262	-	-	-	-	1.38"	36
WGFP-100	566070	12	1210	115 V	19'	✓	2"	6400	5500	4700	3700	2500	-	-	-	-	1.35"	35
WGFP-150	566071	11	1210	115 V	19'	✓	3"	9750	8200	6500	4600	2200	-	-	-	-	0.75"	32
WGFP-200	566072	9	2085	230 V	19'	✓	3"	16000	15000	13410	11575	9775	7645	5610	3120	-	0.75"	45

DIMENSIONS

Dimensions (in)	A	B	C	D	E
WGFP-50	13.85	3.88	8.78	4.53	5.83
WGFP-75	14.44	3.88	8.78	4.53	5.83
WGFP-100	17.35	4.05	10.29	5.18	6.30
WGFP-150	18.50	5.00	11.75	6.50	7.50
WGFP-200	20.31	5.13	11.71	5.96	7.50



PERFORMANCE



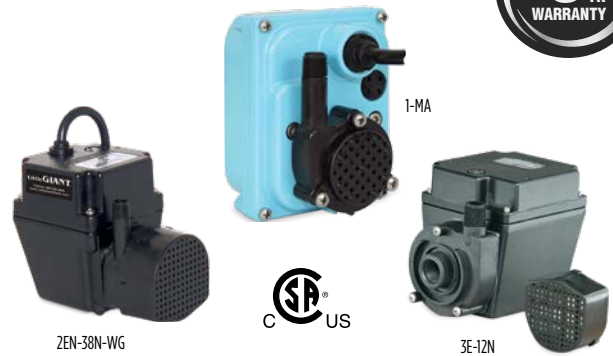
SMALL SUBMERSIBLE

Our Little Giant® pumps are designed for continuous circulation of statuary fountains. Made with some of the industry's most durable materials, our pumps reach peak performance when completely submerged.



FEATURES

- Oil-filled for cooling
- Prescreen included for protection
- Assorted options for every feature

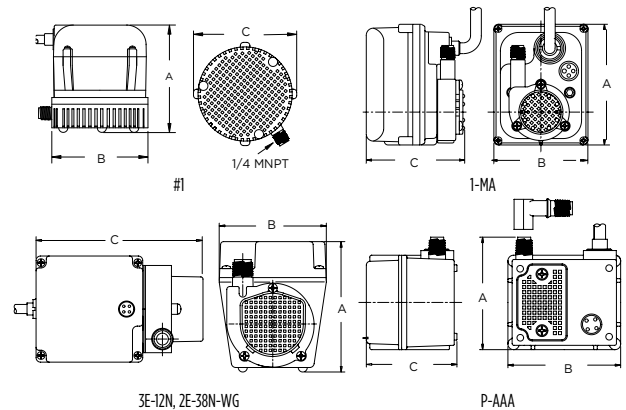


ORDERING INFORMATION

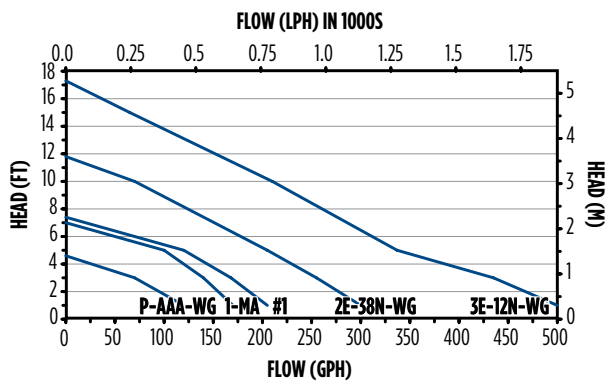
LG Small Submersibles	Item No.	Amps	Watts	Cord (ft)	Submerged Use	Discharge	Gallons Per Hour (GPH) @ Height					Shut-off (ft)
							1'	3'	5'	10'	15'	
#1	501004	1.1	70	6'	✓	1/4"	205	168	120	-	-	7.4
1-MA	521204	1.1	70	6'	✓	1/4"	170	140	100	-	-	7
2EN-38N-WG	502375	1.7	100	15'	✓	1/4"	300	255	205	-	-	11.8
3E-12N	503375	3.2	220	15'	✓	1/2"	500	435	337	210	65	17.3
P-AAA	523375	0.5	30	15'	✓	1/4"	120	70	-	-	-	4.6

DIMENSIONS

Dimensions (in)	A	B	C
#1	4.30	3.70	4.10
1-MA	4.30	3.30	3.50
2EN-38N-WG	4.64	3.50	5.55
3E-12N	5.50	4.50	7.00
P-AAA	3.90	3.90	3.00



PERFORMANCE



HELPFUL INFORMATION

PUMP SELECTION GUIDE BY FLOW RATE

Model	Item No.	Sub	In Line	Volts	Flow @ Head (GPH)					Shut-off	Watts	Electric Cost (Mo.)	Warr.
					5'	10'	15'	20'	25'				
S225	517000	X	X	115	81	—	—	—	—	5.7'	60	\$3.27	2
S320	517002	X	X	115	225	163	—	—	—	13.5'	89	\$5.19	2
S580	517005	X	X	115	590	320	—	—	—	12'	203	\$12.09	2
S900	517008	X	X	115	667	425	—	—	—	14'	234	\$12.60	2
PES-800-PW	566721	X		115	625	175	—	—	—	11.75'	85	\$5.64	3
S1200	517011	X	X	115	745	580	240	—	—	18'	255	\$16.18	2
PES-1000-PW	566722	X		115	775	200	—	—	—	11.75'	110	\$4.77	3
FP1	566132	X	X	115	1000	390	—	—	—	14'	106	\$7.72	5
F10	566724	X	X	115	1103	840	416	96	—	22'	157	\$10.08	2
WGP-65-PW	566409	X		115	1250	800	300	—	—	20'	230	\$15.77	3
F20	566725	X	X	115	2095	961	—	—	—	15'	147	\$10.22	2
FP2	566133	X	X	115	2220	1210	400	—	—	16'	167	\$11.93	5
PWM2600	PWM2600	X		115	1550	0	—	—	—	10'	164	\$10.49	1
FP30	566726	X	X	115	2897	1922	729	—	—	19'	215	\$18.14	2
FP3	566134	X	X	115	3200	1640	690	—	—	17'	226	\$16.15	5
WGP-80-PW	566417	X		115	3200	2700	2100	1300	695	29.5'	675	\$36.11	3
PWM3900	PWM3900	X		115	2700	1440	0	—	—	12.7'	260	\$19.04	1
PWM5200	PWM5200	X		115	3480	2460	1080	0	—	20'	506	\$28.18	1
F40	566727	X	X	115	4233	2894	1956	416	—	21.3'	520	\$22.90	2
WGFP-50	566068	X		115	4250	3500	2750	1800	800	30'	590	\$39.02	2
WGP-95-PW	566407	X		115	4000	3500	2850	2200	1370	30'	700	\$33.92	3
F50	566728	X	X	115	4332	3599	2800	1938	885	28.5'	413	\$33.70	2
WGFP-75	566068	X		115	4900	4350	3750	3050	2250	36'	847	\$50.38	2
FP6	566135	X	X	115	5760	4380	3000	1730	350	27'	557	\$37.56	5
F70	566729	X	X	115	5930	4665	3196	2042	723	28'	660	\$39.74	2
WGFP-100	566070	X		115	6400	5500	4700	3700	2500	35'	1210	\$68.09	2
FP9	566137	X	X	115	8100	6580	4860	3290	1930	31'	730	\$52.24	5
WGFP 150	566071	X		115	9750	8200	6500	4600	2200	32'	1210	\$86.40	2
WGFP 200	566072	X		230	16000	15000	13410	11575	9775	45'	1210	\$149.98	2

NOTE: The Good, Better, Best color code illustrates how pump efficiency changes throughout the performance range of the pump.

* = Monthly electric cost calculated at Best Efficiency Point of Pump at 10 cents/kwh operating 24 hours, 7 days a week

GOOD

BETTER

BEST

RECOMMENDED MAXIMUM FLOW RATES

Pipe Diameter	Gallons Per Hour (GPH)	Gallons Per Minute (GPM)
3/4"	750	12.5
1"	1000	17
1-1/4"	2100	35
1-1/2"	3000	50
2"	4800	80
3"	9000	150
4"	16000	267

HELPFUL FORMULAS

To convert pressure to head height
Pressure (PSI) x 2.31 = Head Height (ft)
To convert head height to pressure
Head Height (ft) x 0.434 = Pressure (PSI)
To determine the gallons in a circular feature
0.79 x Diameter (ft) x Diameter (ft) x Depth (ft) x 7.48 = Gallons
To determine the approximate operating cost of running 24 hours a day
Watts x 0.072 = Estimated Monthly Operation Cost (at \$0.10/Kwh)

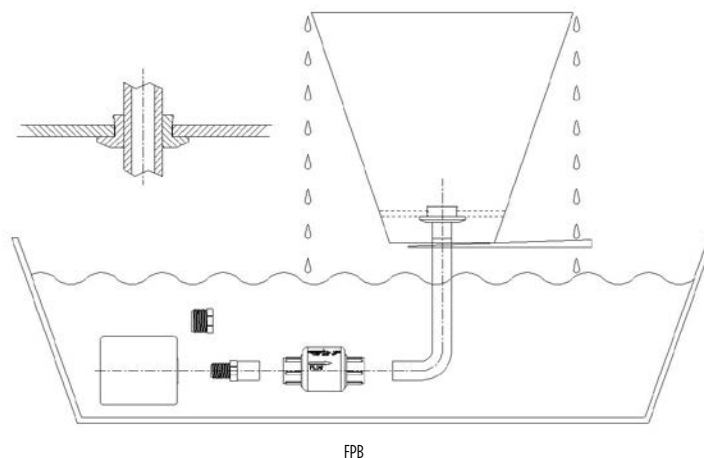
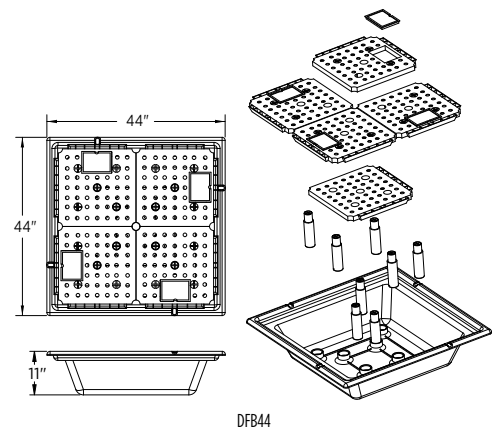
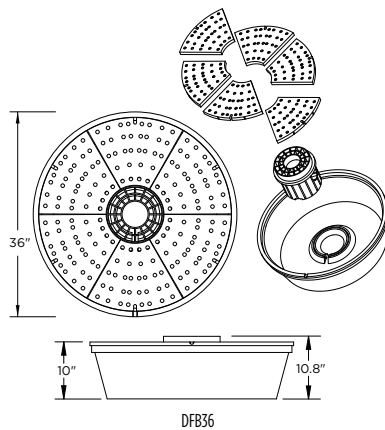
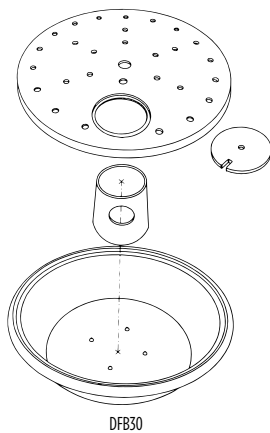
DISAPPEARING WATER FEATURES - BASINS, VAULTS, & FITTINGS



Little Giant® heavy-duty disappearing water feature basins are perfect for in-ground installations. Our basins are ideal for smaller applications when you want the soothing sounds of water but are limited on space. Basins sit flush with the ground, and the sectioned access plates make maintenance a breeze. Cover your basin with a wide variety of rocks or pottery (not included) for a disappearing water effect. Add our plumbing fitting kit (FPB), your favorite container such as a ceramic or stone vase, and a pump (we recommend the PES series for this application) to build a stunning disappearing water feature. A great weekend project!

ORDERING INFORMATION

Basins, Vaults, & Fittings	Item No.	Dimensions (in)	Advantages
DFB36	566517	36" W x 36" L x 10.8" H	Supports up to 2000 lbs
DFB36PP	566559	-	Pallet includes (5) 36" basins
DFB44	566558	44" W x 44" L x 11" H	Supports up to 3000 lbs
DFB44PP	566560	-	Pallet includes (5) 44" basins
DFB30	566599	30" W x 30" L x 10" H	Supports up to 500 lbs
SF	566410	19" W x 19" L x 22" H	Pump vault for easy pump access
FPB	566596	-	Fittings, Pipe, Shims, Grommet
FF4	566516	-	Fountain Support Feet, 4 pk., for use with DFB36



FOUNTAINS & FEATURES

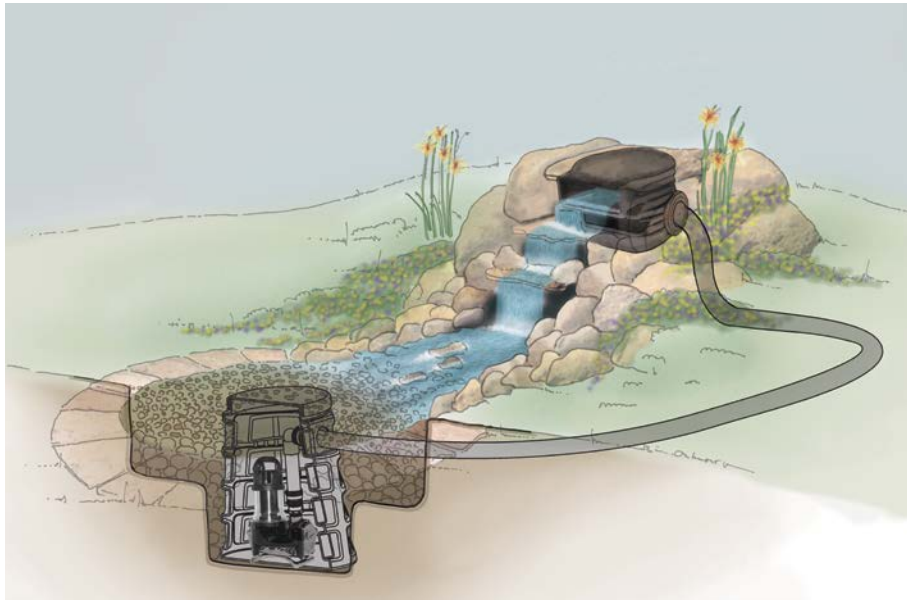
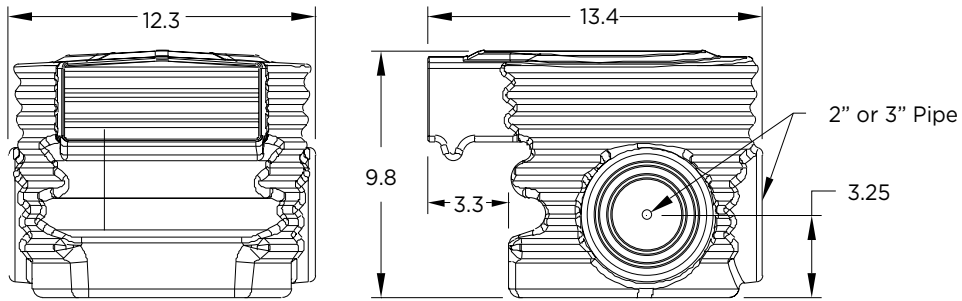
DISAPPEARING WATER FEATURES - WATERFALL WEIRS

Waterfall weirs allow you to create a smooth beginning to any stream or waterfall. They install easily within or outside the liner. SPW comes with filter media, and all models come with plumbing attachments.



ORDERING INFORMATION

Waterfall Weirs	Item No.	Dimensions (in)	Max. Flow Rate	Weir Width
SPW10	517202	11" x 11-1/2" x 10-1/2"	1000 gph	10"
SPW18	517203	19" x 11" x 10-1/2"	4000 gph	18"
WFW	566239	9.5" H X 13" D	6000 gph	7.75"



To view the list of products required to build a disappearing fountain kit, please see page 37.



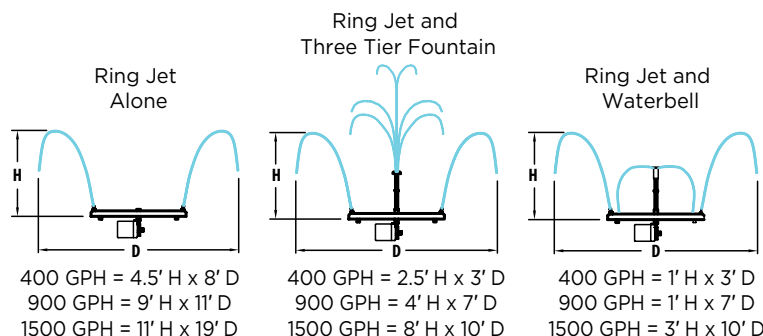
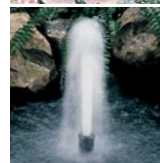
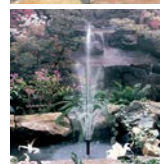
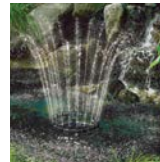


FOUNTAIN NOZZLES

The most appealing aspect of a water garden is the tranquil sights and sounds of moving water. We offer a range of fountain nozzle patterns to create a unique effect in your customer's pond. These nozzles are easy to use and designed to work with a wide selection of Little Giant® pumps.

ORDERING INFORMATION

Fountain Nozzles	Item No.	Inlet	Advantages
Ring Jet RJ21	517200	1/2" FNPT	<ul style="list-style-type: none"> 17" diameter with 21 adjustable outward, inward or spiral spray pattern jet nozzles
Waterbell Fountain Nozzle FHT-1280-PW	566240	Fits pumps with 1/4" and 1/2" threaded discharge	<ul style="list-style-type: none"> Waterbell spray pattern Telescoping stem extends 8"-12"
Fountain Head Kit FHK-1-PW	566266	Fits pump with 1/4" MNPT discharge	<ul style="list-style-type: none"> Daisy, tulip, and waterbell spray pattern Telescoping stem extends 8"-12" Flow control valve for spray adjustments
Three-Tier Fountain Head Nozzle Kit FHT-1090-PW	566267	Fits pumps with 1/4" and 1/2" threaded discharge	<ul style="list-style-type: none"> Three-tier spray pattern Telescoping stem extends 8"-12"
Bubbling Fountain Nozzle FHT-1170-PW	566518	Fits pumps with 1/4" and 1/2" threaded discharge	<ul style="list-style-type: none"> Bubbler spray pattern Telescoping stem extends 8"-12"
Diverter Valve FHV-2549-PW	566523	For use with 1/4" and 1/2" threaded discharge pumps and all Little Giant® fountain nozzles	<ul style="list-style-type: none"> Allows operation of second water feature from one pump Discharge connects to 1/2" NPT pipe and 3/8" or 1/2" ID tubing

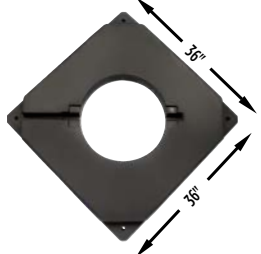


AERATION SYSTEM



AERATION SYSTEM

Little Giant's® multi-functional aeration and fountain system is capable of moving up to 800 gpm for bodies of water up to one acre in size. With the easy installation of a fountain nozzle, the aerator is transformed into an attractive fountain display. Whether your primary goal is aesthetics or biological pond health, Little Giant® offers this easy-to-use, reliable, all-in-one solution to keep your body of water clean and healthy.



FEATURES

- All-in-one packaged system (float, aerator, Franklin Electric motor)
- Ready out of the box
- Easy installation
- Simple sizing 1/2 hp per 1/2 surface acre

BENEFITS

- Aeration/fountain interchangeability
- Enhances biological activity
- Improves water quality
- Multiple visual options
- Simplifies maintenance in water
- Plug-and-play, no control box required

ORDERING INFORMATION

Aeration System*	Item No.	HP	Amps	Voltage	Cord (Ft)	Min. Operating Depth	Max. GPM	Pattern	
								Avg. Height (Ft)	Avg. Width (Ft)
APA-05-HAR	517300	1/2	12	115	100	18"	350	4	10
APA-10-HAR	517301	1	10.8	230	150	18"	800	6	16

* Includes float, aerator, and Franklin Electric motor.



Fountain Nozzles	Item No.	Aeration System HP	Pattern	
			Avg. Height (ft)	Avg. Width (ft)
Sonata FNA01	517319	1/2	14	28
		1	16	32
Cantata FNA02	517320	1/2	13	18
		1	20	20
Concerto FNA03	517321	1/2	15	30
		1	30	50
Staccato FNA04	517322	1/2	8	14
		1	14	18
Crescendo FNA05	517323	1/2	13	-
		1	25	-



ACCESSORIES

Aeration Unit Accessories	Item No.	HP	Included
Fountain Pump Conversion Kit FPA-05-K01	517310	1/2	Pump head, nozzle stem, and Sonata, Cantata, and Concerto fountain nozzles
Fountain Pump Conversion Kit FPA-10-K01	517311	1	Pump head, nozzle stem, and Sonata, Cantata, and Concerto fountain nozzles

MECHANICAL FILTRATION - PUMP PRE-FILTERS

Mechanical filters clean the water before it enters the pump, ensuring your pump runs more efficiently and effectively, and with less maintenance. Easy-to-use replacement media takes the hassle out of filter maintenance.

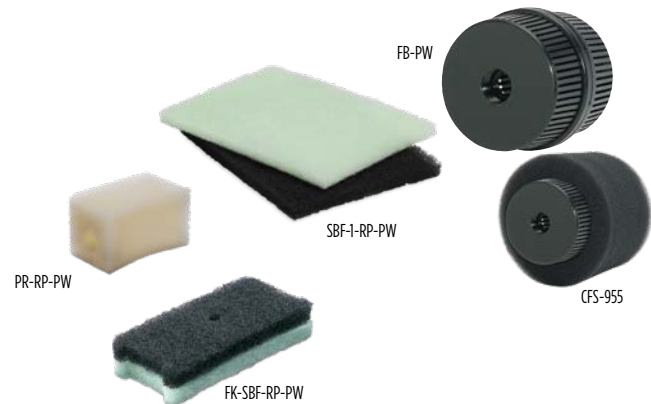
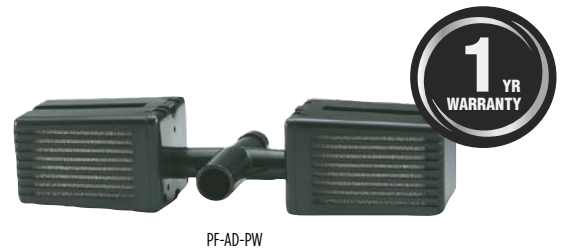
FEATURES

- Extends pump life
- Multiple sizes
- Simple replacement media

ORDERING INFORMATION

Pump Pre-Filters	Item No.	Inlet
FB-PW	566108	-
PF-AD-PW	566107	1/2" push on
CFS-170T	517100	1" FNPT
CFS-155T	517506	1/2" and 3/4" FNPT
CFS-100	517505	1/2" push on
TS-1.5	517102	1-1/2" FNPT
TS-2.0	517103	2" FNPT
TS-3.0	517503	3" FNPT

Replacement Filter Pads	Item No.	Included
FK-SBF-RP-PW	566111	1 coarse and 1 fine filter pad
SBF-1-RP-PW	566113	1 coarse and 1 fine filter pad
PF-RP-PW	566109	1 filter pad
CFS-955	517101	1 filter pad



MECHANICAL FILTRATION - SKIMMERS

Little Giant® skimmers are engineered to encourage balanced ecosystems in new or existing ponds. These durable skimmers improve surface cleaning with an easy flow-through design that both simplifies installation and minimizes maintenance.



FEATURES

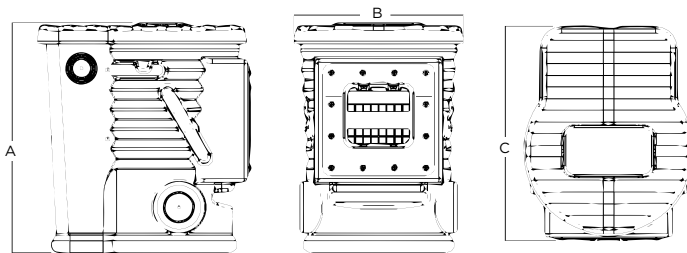
- Two stages of filtration provided
- Multiple sizes fit every feature

ORDERING INFORMATION

Skimmers	Item No.	Dimensions (in)			Max. Flow
		A	B	C	
SK2.5	566131	23.25	21.7	17.2	2500 gph
SK5	14940171	23.25	25.9	20.0	5000 gph
SK10	14940172	23.25	31.4	23.9	10000 gph

ACCESSORIES

Skimmer Accessories	Item No.	Dimensions (in)	Discharge	Included
AFV-GH Auto Fill Kit	566286	-	<ul style="list-style-type: none"> • 1/2" MNPT auto-fill valve • 1/2" barb adapter • 1/2" female adapter • 3/4" FGHT (garden hose adapter) 	-
PRS-BDK-2 Bottom Siphon Kit	566181	-	-	<ul style="list-style-type: none"> • 2" double threaded bulkhead fitting • 2" PVC gate valve • Intake screen



BIOLOGICAL FILTRATION - WATERFALL FILTERS

Little Giant® biological waterfall filters were created to help maintain a balanced ecosystem. These highly-efficient models use the latest filtration technology to decrease maintenance time and provide quick, toolless access to the filters. Our units produce natural-flowing waterfalls, with all plumbing hidden.



FEATURES

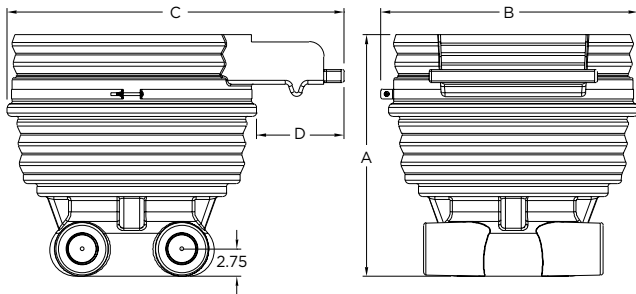
- One-step backwash capability
- Easily accessible media for maintenance
- Simple silicone-free installation

ORDERING INFORMATION

Waterfall Filters	Item No.	Dimensions (in)				Max. Flow	Pipe Connection
		A	B	C	D		
WF5	571010	24.3	25.8	33.8	8.8	5000 gph	2"
WF10	571011	28.8	32.3	40.2	8.8	10000 gph	2" or 3"

ACCESSORIES

Waterfall Filter Accessories	Item No.
WFF-20 - ROCKIN FOAM®	599057
BFK-M - Backflush Kit	14940321
BM-30-PW, 30 count	566112



UVC ULTRAVIOLET CLARIFIERS

Little Giant® UV clarifiers eliminate green water fast to improve pond health and beauty. Built to last from industrial-grade materials, these units are easily maintained and have a safety feature to prevent UV-C exposure.



FEATURES

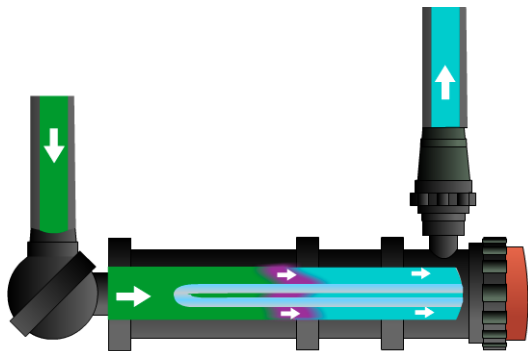
- Safe for plants and fish
- Easy maintenance and cleaning
- Installs in-line easily (cannot be submerged)
- Efficient compact size
- Clear cap to see bulb working

ORDERING INFORMATION

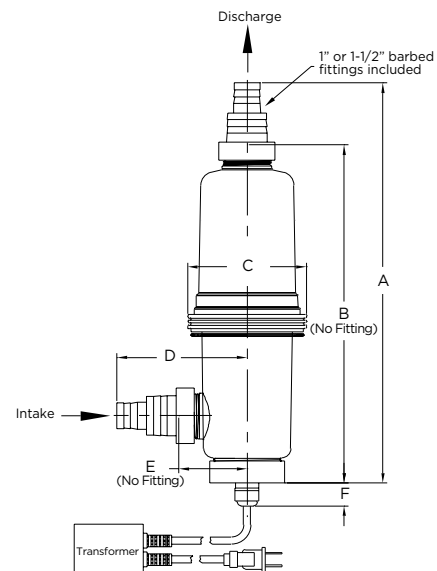
Ultraviolet Clarifiers	Item No.	Dimensions (in)						Max. Flow	Max. Pond Size
		A	B	C	D	E	F		
UVC9	517424	16.07	13.50	4.65	5.4	1.64	0.95	500 gph	800
UVC18	517425	16.07	13.50	4.65	5.4	1.64	0.95	1000 gph	1200
UVC36	517426	16.07	13.50	4.65	5.4	1.64	0.95	2000 gph	2400

UNDERSTANDING UV

As algae passes by the light, the chlorophyll of the algae is affected, causing the cells to stick together. The now-larger cell groups are lodged in the biological filter and consumed by the beneficial bacteria. When using a UV clarifier for the first time, it is a good idea to clean your filter pads in all filters for the first few days.



UVC18



LED LIGHTING - LED EGGLETS

The LED EggLite offers a compact lighting option that operates wet or dry. They come in four color options and can be powered by the sun using the optional solar panel. Up to 12 will fit on the plug-in transformer, and six lights will power on the solar panel.



ORDERING INFORMATION

LED EggLites	Item No.	Power Type	Watts	Color	Cord (ft)	Submerged Use	Dry Use	Transformer Included	Lights Included	Lamp Size	Dimensions
LCE2-W - Plug In Kit	566443	4 VDC	2	White	10'	✓	✓	✓	2	1"	1" diameter
LXE2-R - Red Add-on Light	566439	Solar/4 VDC	2	Red	10'	✓	✓		2	1"	1" diameter
LXE2-W - White Add-on Light	566440	Solar/4 VDC	2	White	10'	✓	✓		2	1"	1" diameter
LXE2-G - Green Add-on Light	566441	Solar/4 VDC	2	Green	10'	✓	✓		2	1"	1" diameter
LXE2-B - Blue Add-on Light	566442	Solar/4 VDC	2	Blue	10'	✓	✓		2	1"	1" diameter
LVT-08 - Plug In Transformer	566435	4 VDC	12	-	-		✓	✓	-	-	1.6" x 1.3"
LC-10E - 10 Foot Extension	566449	-	-	-	10'	✓	✓		-	-	120" x 0.1"

LED-K LIGHTING

Energy-efficient LED fixtures consume only 3 Watts per lamp and last up to 10 years. Up to 18 lights can be run on one transformer. Eleven pre-programmed settings are triggered with the built-in circuitry. Install them in or out of the water using the included mounting hardware.



ORDERING INFORMATION

LED-K Lighting	Item No.	Power Type	Watts	Color	Cord (ft)	Submerged Use	Dry Use	Transformer Included	Lights Included	Lamp Size	Dimensions
LVLK-LED - Multi-Color LED Kit	566236	12 VAC	3	Multi	20'	✓	✓	✓	1	MR-16	3" diameter
LED-L - Multi-Color LED Light	566225	12 VAC	3	Multi	20'	✓	✓		1	MR-16	3" diameter
LED-B - Multi-Color LED MR-16 Bulb	566224	12 VAC	3	Multi	-	✓	✓		Bulb	MR-16	3" diameter
DA-60-12WA-1 Transformer	950887	12 VAC	60 max	-	-		✓		-	-	N/A



With 11 light modes ranging from brilliant red to a continuous transition of soft color, you can easily reflect any mood.

HALOGEN LIGHTING - LVL LIGHTING

Our bright, 20 Watt halogen lamp lasts about 3,000 hours. Up to three lights can run on one transformer, which has a switch-selectable timer. Colored lenses create a variety of hues. Install them in or out of the water using the included mounting hardware.



ORDERING INFORMATION

LVL	Item No.	Power Type	Watts	Color	Cord (ft)	Submerged Use	Dry Use	Transformer Included	Lights Included	Lamp Size	Dimensions
LVLK-HAL Kit	566237	12 VAC	20	Multi	20'	✓	✓	✓	1	MR-16	3" diameter
LVL-PW Light	566527	12 VAC	20	Multi	20'	✓	✓		1	MR-16	3" diameter
LVL-HB-PW MR-16 BULB	566528	12 VAC	20	Multi	-	✓	✓		Bulb	MR-16	3" diameter

LIC LIGHTING

The largest and most robust light we offer is constructed of stainless steel and bronze, housing a 250-Watt bulb. These lights dramatically accent all of your fountain and water feature projects. Comes with a stand for easy placement and must be submerged for use.



ORDERING INFORMATION

Halogen Lighting	Item No.	Power Type	Watts	Color	Cord (ft)	Submerged Use Only	Lights Included	Lamp Size	Dimensions
LIC-20	517413	120 VAC	250	White	20'	✓	1	E-12	7.3" diameter
LIC-50	517414	120 VAC	250	White	50'	✓	1	E-12	7.3" diameter
LIC-100	517415	120 VAC	250	White	100'	✓	1	E-12	7.3" diameter



VIRTUAL POND KITS

TO BUILD 1400 GALLON POND

Description	Model	Item No.
Skimmer	SK2.5	566131
Filter	WF5	571010
Pump	F20-2700	566725
Pipe	T-1-1/2-25 BFPVC	566182
Liner	10' x 15'	566545
Auto Fill Kit	AFV-GH Auto Fill	566286
Backflush Kit	BFK-M	14940321
Waterfall Foam	WFF-20-Rockin Foam	599057

TO BUILD 3400 GALLON POND

Description	Model	Item No.
Skimmer	SK10	14940172
Filter	WF5	571010
Pump	F50-5000	566728
Pipe	T-2-25 BFPVC	566184
Liner	15' x 20'	566547
Auto Fill Kit	AFV-GH Auto Fill	566286
Backflush Kit	BFK-M	14940321
Waterfall Foam	WFF-20-Rockin Foam	599057

DISAPPEARING STREAM

Description	Model	Item No.
Vault	SF	566410
Waterfall Weir	WFW	566239
Pump	F30-4000	566726
Pipe	T-1-1/2-25 BFPVC	566182
Liner	Fit To Size	Page 26
Auto fill Kit	AFV-GH Auto Fill	566286
Waterfall Foam	WFF-20-Rockin Foam	599057



PLUMBING - FITTINGS

Our select group of quality plumbing components is affordable and always the right fit. We offer tubing fittings and Schedule 40 fittings for any installation, from vinyl tubing, PVC pipe, and flex PVC.

ORDERING INFORMATION

Model	Item No.	Pipe/Size Tubing	Type
C-1 Tubing Clamp	566227	1/2"	Tubing
C-2-PW Restrictor Clamp	566289	1/2"	Tubing
FC-1/4 Flow Control FNPT x Barb	566228	1/4"	Tubing
AD-2M-2S Male Adapter	566258	2"	PVC
AD-3M-3S Male Adapter	566244	3"	PVC
AD-BH-2 Bulkhead Fitting	566257	2"	FNPT
AD-BH-3 Bulkhead Fitting	566249	3"	FNPT
BV-112S Ball Valve Slip x Slip	566250	1-1/2"	PVC
BV-112SU Union Ball Valve	566252	1-1/2"	PVC
AD-112US Union Slip x Slip	566254	1-1/2"	PVC
AD-2US Union Slip x Slip	566255	2"	PVC
3" Flexible Pipe Grommet	925023	3"	BUNA-N
2" Flexible Pipe Grommet	925033	2"	BUNA-N
4" Flexible Pipe Grommet	925034	4"	BUNA-N
3/4" Flexible Pipe Grommet Fountain Connector	925035	3/4"	BUNA-N
1/2" Fountain Connector	925054	1/2"	BUNA-N
CV-SE1 Check Valve	940019	1-1/2"	PVC
CV-SE2 Check Valve	940022	2"	PVC
CV-SE3 Check Valves	940023	3"	PVC



Tubing Clamp



Restrictor Clamp



Flow Control FNPT x Barb



Male Adapter



Bulkhead Fitting



Ball Valve Slip x Slip



Union Ball Valve



Union Slip x Slip



Flexible Pipe Grommet



Check Valve

LINERS & ACCESSORIES

Pond liners are designed from strong, puncture-resistant material that allows for the customization of any water feature. Both Firestone 45-mil EPDM and our 20-mil PVC are flexible and safe for aquatic life too.



ORDERING INFORMATION

Cut Sizes	EPDM Item No.	Dimensions
10 x 15 Liner	566545	10' x 15'
15 x 15 Liner	566546	15' x 15'
15 x 20 Liner	566547	15' x 20'
10 x 15 6oz. Underlayment	566548	10' x 15'
15 x 15 6oz. Underlayment	566549	15' x 15'
15 x 20 6oz. Underlayment	566550	15' x 20'

ORDERING INFORMATION

EPDM Accessories	Item No.
6" x 25' Cover Seam Tape	566369
6" x 100' Cover Seam Tape	566370
LVOG QuickPrime Plus - Quart	566371
LVOG QuickPrime Plus - Gallon	566372
QuickSeam Scrubber Kit	566373
EPDM Repair kit	566374
Silicone Roller	566375
Pipe Boot	566376



ORDERING INFORMATION

Rolls	Item No.	Dimensions
5 x 100 EPDM Roll	566357	5' x 100'
10 x 100 EPDM Roll	566358	10' x 100'
15 x 100 EPDM Roll	566359	15' x 100'
20 x 100 EPDM Roll	566360	20' x 100'
25 x 100 EPDM Roll	566361	25' x 100'
30 x 100 EPDM Roll	566362	30' x 100'
35 x 100 EPDM Roll	566363	35' x 100'
40 x 100 EPDM Roll	566364	40' x 100'
50 x 100 EPDM Roll	566365	50' x 100'
20 x 50 EPDM Mini Roll	566366	20' x 50'
25 x 50 EPDM Mini Roll	566367	25' x 50'
30 x 50 EPDM Mini Roll	566368	30' x 50'
5 x 300 6oz. Underlayment	566377	5' x 300'



PROTECTION - LOW WATER SHUT-OFF

Whether a small disappearing fountain or full water garden, protecting your investment enhances enjoyment. Achieve that peace of mind with a low water cut-off switch for the pump, auto fill valve to keep the beauty flowing, or winter gear to protect your pond and fish.



ORDERING INFORMATION

Low Water Shut-Off	Item No.	Voltage	Cord
AFV-GH Auto Fill	566286	-	-
RS-5	566009	115 V	18'
RFSN-16	599211	115/230 V	20'
RFSN-20	599318	115/230 V	20'



FALL & WINTER - POND NETTING & WINTER

Whether a small disappearing fountain or full water garden, protecting your investment enhances enjoyment. Achieve that peace of mind with a low water cut-off switch for the pump, auto fill valve to keep the beauty flowing, or winter gear to protect your pond and fish.

ORDERING INFORMATION

Pond Netting & Winter	Item No.	Dimensions	Advantages
N-2828-PW	566047	28' x 28'	<ul style="list-style-type: none"> • 3/4" square mesh • Covers 28' x 28' area • Includes 12 anchoring stakes
N-1414-PW	566046	14' x 14'	<ul style="list-style-type: none"> • 3/4" square mesh • Covers 14' x 14' area • Includes 10 anchoring stakes
N-710-PW	566045	7' x 10'	<ul style="list-style-type: none"> • 3/4" square mesh • Covers 7' x 10' area • Includes 8 anchoring stakes
TF-PW Thermometer	566048	1" dia. x 8"	<ul style="list-style-type: none"> • Easy-to-read Fahrenheit-Celsius scales • Measures from 120 °F to -20 °F • Tether string for easy removal
P-418-PW Pond De-icer	566049	7" dia. x 4"	<ul style="list-style-type: none"> • For ponds 50–600 gallons • De-ices 1' radius • 1200 Watts

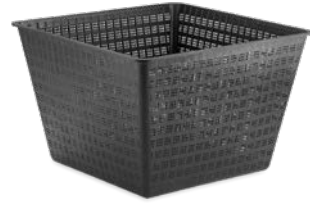


ACCESSORIES - AQUATIC PLANT BASKETS

Little Giant aquatic plant baskets are designed to contain aquatic plants in your pond. The mesh baskets allow water to circulate around the plants' roots.

ORDERING INFORMATION

Model	Item No.	Description
UPB-R9-PW	566553	9" round plant basket
UPB-1212-PW	566556	12" square plant basket



UPB-1212-PW

FISH NETS

Fish nets make catching the fish safer than using your hands, as does a skimmer net for removing floating debris.

ORDERING INFORMATION

Model	Item No.	Description
NS	566050	Skimmer Net Handle: 48" L; Net: 10" W x 9" L x 3" D
AFN	567574	Fish Net Extends: 39" to 57.5"; Net: 15.25" W x 13" L x 12" D



AFN

NS

REPLACEMENT PARTS

Accidents and wear and tear happen. When it does, rest easy knowing we have the right replacement parts for your equipment.

FOUNTAINS & FEATURES

Item No.	Model	Description
166468	-	36" Dfb Column
166469	-	36" Dfb Wedge
166471	-	44" Dfb Support Tube
166472	-	44" Dfb Plate
566533	-	Fogger Disk Replacement Kit

AERATION SYSTEM

Item No.	Model	Description
517326	-	Replacement fountain/aerator Harmony nozzle assembly
517327	-	Replacement centrifugal pump nozzle adaptor assembly
517329	-	Replacement 100' cord set w/ motor lead and support tube
517331	-	Replacement float 36"

FILTRATION

Item No.	Model	Description
860-10	-	Filter pad for spillway 10"
860-18	-	Filter pad for spillway 18"
170277	-	Mesh bag for biomedica
170299	-	Skimmer net for SK5
170300	-	Skimmer net for SK10
170303	-	Grate for SK5
170304	-	Grate for SK10
170311	-	Lid for SK5
170312	-	Lid for SK10
170313	-	Black lid for WF5
170315	-	Black lid for WF10
170465	-	Skimmer net for SK2.5
170461	-	Lid for SK2.5
170463	-	Grate for SK2.5
517100	CFS170T	Barrel filter, 1" FNPT
517101	CFS955	Foam filter for CFS155T and CFS170T
517427	UVC9RB	9 Watt UV lamp, UVC
517428	UVC18RB	18 Watt UV lamp, UVC
517429	UVC36RB	36 Watt UV lamp, UVC
517505	CFS100	Screen, plastic small
517506	CFS155T	Screen, plastic, for large SST, CFS955
566109	PF-RP-PW	PF-AD replacement pad
566111	FK-SBF-RP-PW	FB replacement filter pad
566112	BM-30-PW	Biomedica, 30 ct
566113	SBF-1-RP-PW	Replacement filters
566115	FC-RP	Filter pads
566813	-	SK2.5 repair kit
566815	-	SK5 repair kit
566816	-	SK10 repair kit
990108	-	PTFE
14940208	-	RTV silicone sealant
14940343	F-SBRK	Skimmer brush kit
14940581	-	Skimmer lid plug

PUMPS

Item No.	Model	Description
11200	-	Repair kit for S580
11205	-	Repair kit for S900T
11210	-	Repair kit for S1200T
10215	-	Repair kit A180 - A210 & S225
10216	-	Repair kit A180T - A210T & S225T
10220	-	Repair kit A280 - A430 & S320
10221	-	Repair kit A280T - A430T & S320T
118984	-	Kit, repair parts, PE-1F-PW
118985	-	Kit, repair parts, PE-2H-PW
118986	-	Kit, repair parts, PE-2F-PW
118987	-	Kit, repair parts, PE-1H-PW
118988	-	Kit, repair parts, PE-2.5F-PW
166055	-	FP1 Impeller and Rotor Assembly
166056	-	FP2 Impeller and Rotor Assembly
166057	-	FP3 Impeller and Rotor Assembly
166058	-	FP6 Impeller and Rotor Assembly
166059	-	FP9 Impeller and Rotor Assembly
166060	-	FP Pumps O-ring and Screws
166360	-	Impeller PES700
166361	-	Impeller PES800
166362	-	Impeller PES1000
166772	-	Replacement Screen Kit, F10-F70
166773	-	Replacement Housing, F10-F20
166774	-	Replacement Housing, F30-F70
166775	-	Replacement Volute Kit, F10
166776	-	Replacement Volute Kit, F20
166777	-	Replacement Volute Kit, F30-F50
166780	-	Replacement Volute Kit, F70
166781	-	Replacement Rotor Kit, F10
166782	-	Replacement Rotor Kit, F20
166783	-	Replacement Rotor Kit, F30
166784	-	Replacement Rotor Kit, F40
166785	-	Replacement Rotor Kit, F50
166786	-	Replacement Rotor Kit, F70
166787	-	Replacement Screen, F10-F70
170170	-	WGP 1" elbow
170194	-	WGP 1-1/2" elbow
170208	-	WGP plate
170209	-	WGP plug
517500	SPB1	Positioning bracket for S580 S900 S1200
517102	TS-1.5	Intake screen for 1.5" MNPT
517103	TS-2.0	Intake screen for 2" MNPT
517104	SF1.0	Swivel fitting, 1"
517503	TS-3.0	Intake screen for 3" MNPT
517504	SF1.5	Swivel fitting, 1-1/2"

LIGHTING & CONTROLS

Item No.	Model	Description
170755	-	Colored lens set for fixture for LVL
170756	-	Light fixture glass lens for LVL and LED
517403	LEC-5M	Ext. cord, 16', EggLite
517410	LRB-10W-30	Replacement bulb, 12 V, 10 Watt, 30 °
517412	LTR-60W	Transformer, 60 Watt EggLite
517417	L-1001	Tungsten halogen 250 Watt bulb, 115 V
517419	L-1002A	L-1 lens - amber
517421	L-1002B	L-1 lens - blue
517422	L-1002C	L-1 lens - clear
517423	L-1002G	L-1 lens - green
517501	L-1002R	L-1 lens - red
924006	-	LED EggLite wire connection O-ring
924135	-	Light fixture O-ring for LVL and LED
950887	DA-60-12WA-1	60 Watt transformer

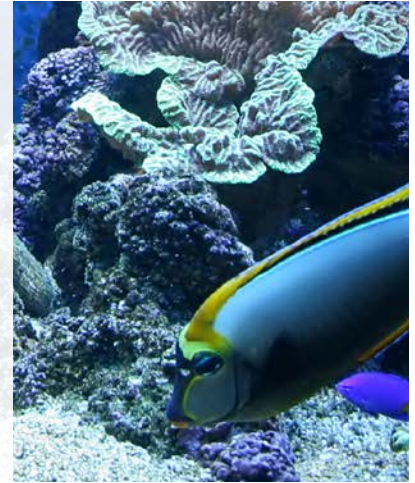
ADDITIONAL PRODUCT LINES

AQUARIUM

Little Giant® aquarium products implement the highest quality of engineering and design in every product. Each product is designed specifically for aquarium-filtered applications in freshwater and saltwater environments.

AQUARIUM PUMP

ITEM 580507 | MODEL 2-MDQX-SC



HYDROPONICS

All Little Giant® Hydroponic pumps are manufactured with a corrosion-resistant body specifically designed for submersible use. Magnetic drive pumps offer better energy efficiency, while direct drive pumps produce greater starting torque and more pressure. Our extensive product line allows you to choose which pump features are best for your application.

325 GPH SUBMERSIBLE HYDROPONIC PUMP

ITEM 527002 | MODEL NK-2

200 GPH AUTOMATIC HYDROPONIC PUMP

ITEM 550523 | MODEL 1-ABS



POOL PRODUCTS

Little Giant® offers an extensive collection of pool cover pumps that are able to keep up with the needs of virtually any pool cover. These pumps offer industry-leading service, easy water removal, and superior pool cover protection.

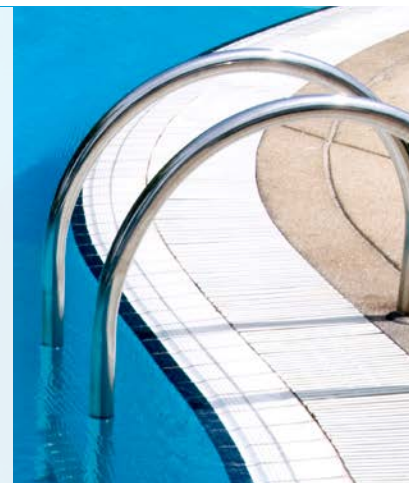
AUTOMATIC POOL COVER PUMP

ITEM 14942702 | MODEL PCP-550



AUTOMATIC POOL COVER PUMP

ITEM 577301 | MODEL APCP-1700



INDEX OF ITEMS ALPHABETICALLY BY MODEL

Model	Item No.	Description	Page
#1	501004	Direct drive oil-filled pump - 115 V, 60 Hz, 6', 205 gph	12
1-MA	521204	Direct drive oil-filled pump - 115 V, 60 Hz, 6', 170 gph	12
2E-38N-WG	502375	Direct drive oil-filled pump - 115 V, 60 Hz, 15' UL/CSA, 300 gph	12
3E-12N	503375	Direct drive oil-filled pump - 115 V, 60 Hz, 6' black, 500 gph	12
AD-112US	566254	Union 1-1/2" slip, PVC	25
AD-2M-2S	566258	2" male adapter MNPT x slip	25
AD-2US	566255	Union 2" slip, PVC	25
AD-3M-3S	566244	3" male adapter MNPT x slip	25
AD-BH-2	566257	2" bulkhead fitting	25
AD-BH-3	566249	3" bulkhead fitting	25
AFN	567574	Fish net	28
AFV-GH	566286	Auto fill valve kit, 1/2" MNPT	24, 27
APA-05-HAR	517300	Aeration unit, 1/2 hp	17
APA-10-HAR	517301	Aeration unit, 1 hp	17
BFK-M	14940321	Manual backflush kit	20, 24
BM-30-PW	566112	Biomedica, 30 ct	20, 29
BV-112S	566250	Ball valve 1-1/2" slip, PVC	25
BV-112SU	566252	Union ball valve, 1-1/2" ips, PVC	25
C-1	566227	Tubing clamp - case qty only	25
C-2-PW	566289	Restrictor clamp - case qty only	25
CFS-100	517505	Filter screen, small plastic	18, 29
CFS-155T	517506	Filter screen, plastic, for large SST, CFS-955	18, 29
CFS-170T	517100	Barrel filter, 1" FNPT	18, 29
CFS-955	517101	Foam filter for CFS-155T & CFS-170T	18, 29
CV-SE1	940019	Check valve, 1-1/2" ips (1-1/2" solids)	25
CV-SE2	940022	Check valve, 2" ips (2" solids)	25
CV-SE3	940023	Check valve, 3" ips (3" solids)	25
DA-60-12WA-1	950887	60 Watt transformer	22, 29
DFB30	566599	Disappearing fountain basin, 30" diameter	14
DFB36	566517	Disappearing fountain basin, 36" diameter	14
DFB36PP	566559	Pallet program 36" disappearing basin - case qty only	14
DFB44	566558	Disappearing basin, 44" square	14
DFB44PP	566560	Pallet program 44" disappearing basin - case qty only	14
F10-1200	566724	F-series wet rotor pump - 1200 gph	5
F20-2700	566725	F-series wet rotor pump - 2700 gph	5, 24
F30-4000	566726	F-series wet rotor pump - 4000 gph	5, 24
F40-5500	566728	F-series wet rotor pump - 5000 gph	5, 24
F50-5000	566727	F-series wet rotor pump - 5500 gph	5
F70-7300	566729	F-series wet rotor pump - 7300 gph	5
FB-PW	566108	Pump filter box	18
FC-1/4	566228	Flow control assembly, FNPT x barb - case qty only	25
FC-RP	566115	Filter pads	29
FF4	566516	Fountain support feet, 4-pack	14
FHK-1-PW	566266	Fountain head kit	16
FHT-1090-PW	566267	Fountain nozzle kit, 3-tier with telescope	16
FHT-1170-PW	566518	Bubbler fountain nozzle	16
FHT-1280-PW	566240	Waterbell fountain nozzle	16
FHV-2549-PW	566523	1/2" diverter valve	16
FK-SBF-RP-PW	566111	FB replacement filter pad	18, 29
FNA01	517319	Sonata fountain nozzle	17
FNA02	517320	Cantata fountain nozzle	17
FNA03	517321	Concerto fountain nozzle	17
FNA04	517322	Staccato fountain nozzle	17
FNA05	517323	Crescendo fountain nozzle	17
FP1	566132	Flex pump - 1000 gph	6
FP2	566133	Flex pump - 2000 gph	6
FP3	566134	Flex pump - 3000 gph	6
FP6	566135	Flex pump - 6000 gph	6
FP9	566137	Flex pump - 9000 gph	6
FPA-05-K01	517310	Fountain conversion kit for aeration unit APA-05-HAR	17
FPA-10-K01	517311	Fountain conversion kit for aeration unit APA-10-HAR	17
FPB	566596	Fittings, pipe, shims, grommet	14
F-SBRK	14940343	Skimmer brush kit	29
L-1001	517417	Tungsten halogen 250 Watt bulb, 115 V	29
L-1002A	517419	L-1 lens, amber	29
L-1002B	517421	L-1 lens, blue	29
L-1002C	517422	L-1 lens, clear	29

Model	Item No.	Description	Page
L-1002G	517423	L-1 lens, green	29
L-1002R	517501	L-1 lens, red	29
L1C-100	517415	Light bronze & SS lighting, 115 V with 100' cord	23
L1C-20	517413	Light bronze & SS lighting, 115 V with 20' cord	23
L1C-50	517414	Light bronze & SS lighting, 115 V with 50' cord	23
LC-10E	566449	Extension cord, 10' male to female LED EggLite	22
LCE2-W	566443	Plug In Kit	22
LEC-5M	517403	EggLite extension cord, 16'	29
LED-B	566224	11-way multi-colored LED MR-16 bulb	22
LED-L	566225	LED with fixture	22
LRB-10W-30	517410	Replacement bulb, 12 V, 10 Watt, 30 degrees	29
LTR-60W	517412	Transformer, 60 Watt EggLite	29
LVL-HB-PW	566528	Replacement halogen lamp	23
LVLK-HAL	566237	LVL Halogen Lighting Kit	23
LVLK-LED	566236	Multi-color LED kit	22
LVL-PW	566527	Low voltage light kit	23
LVT-08	566435	Plug In Transformer	22
LXE2-B	566442	Blue Add-on Light	22
LXE2-G	566441	Green Add-on Light	22
LXE2-R	566439	Red Add-on Light	22
LXE2-W	566440	White Add-on Light	22
N-1414-PW	566046	Netting, 14' x 14'	27
N-2828-PW	566047	Netting, 28' x 28'	27
N-710-PW	566045	Netting, 7' x 10'	27
NS	566050	Skimmer net	28
P-418-PW	566049	Pond de-icer, 1200 Watts	27
P-AAA	523375	Magnetic drive pump - 115 V, 60 Hz, 6', 120 gph	12
PE-1F-PW	566608	Direct drive pump - 170 gph, 36 Watts, 15' cord	8
PE-1H-PW	566604	Direct drive pump - 170 gph, 36 Watts, 6' cord	8
PE-2.5F-PW	566612	Direct drive pump - 475 gph, 80 Watts, 15' cord	8
PE-2F-PW	566611	Direct drive pump - 300 gph, 47 Watts, 15' cord	8
PE-2H-PW	566609	Direct drive pump - 300 gph, 47 Watts, 6' cord	8
PES-1000-PW	566722	Magnetic drive pump - 1150 gph, 160 Watts, 15' cord	7
PES-130-PW	566716	Magnetic drive pump - 130 gph, 11 Watts, 6' cord	7
PES-290-PW	566717	Magnetic drive pump - 300 gph, 23 Watts, 6' cord	7
PES-380-PW	566718	Magnetic drive pump - 380 gph, 36 Watts, 15' cord	7
PES-40-PW	566713	Magnetic drive pump - 47 gph, 5 Watts, 6' cord	7
PES-700-PW	566720	Magnetic drive pump - 725 gph, 46 Watts, 15' cord	7
PES-800-PW	566721	Magnetic drive pump - 875 gph, 100 Watts, 15' cord	7
PES-80-PW	566714	Magnetic drive pump - 77 gph, 8 Watts, 6' cord	7
PF-AD-PW	566107	Dual filter kit	18
PF-RP-PW	566109	PF-AD replacement filter pad	18, 29
PRS-BDK-2	566181	Bottom drain kit for pond skimmers	19
RFSN-16	599211	Low water pump shut-off, 115/230 V, 15 amps	27
RFSN-20	599318	Low water pump shut-off, 230 V, 20 amps	27
RJ21	517200	Spray ring with 21 jets	16
RS-5	566009	Low water pump shut-off, 115 V, 10 amps	27
S1200T-20	517012	SS & bronze pump - 1200 gph, 115 V with 20' cord	9
S1200T-50	517013	SS & bronze pump - 1200 gph, 115 V with 50' cord	9
S1200T-6	517011	SS & bronze pump - 1200 gph with 6' cord	9
S225T-20	517001	SS & bronze pump - 225 gph, 115 V with 20' cord	9
S225T-6	517000	SS & bronze pump - 225 gph with 6' cord	9
S320T-20	517003	SS & bronze pump - 320 gph, 115 V with 20' cord	9
S320T-50	517004	SS & bronze pump - 320 gph, 115 V with 50' cord	9
S320T-6	517002	SS & bronze pump - 320 gph, 115 V with 6' cord	9
S580T-20	517006	SS & bronze pump - 580 gph, 115 V with 20' cord	9
S580T-50	517007	SS & bronze pump - 580 gph, 115 V with 50' cord	9
S580T-6	517005	SS & bronze pump - 580 gph, 115 V with 6' cord	9
S900T-20	517009	SS & bronze pump - 900 gph, 115 V with 20' cord	9
S900T-50	517010	SS & bronze pump - 900 gph, 115 V with 50' cord	9
S900T-6	517008	SS & bronze pump - 900 gph, 115 V with 6' cord	9
SBF-1-RP-PW	566113	Replacement filter pads	18, 29
SF	566410	Simply falls pump vault	14, 24
SF1.0	517104	Swivel fitting, 1"	29
SF1.5	517504	Swivel fitting, 1-1/2"	29
SK10	14940172	Skimmer for ponds up to 10,000 gallons (S5000)	19, 24
SK2.5	566131	Skimmer for ponds up to 2,500 gallons	24



INDEX OF ITEMS ALPHABETICALLY BY MODEL

Model	Item No.	Description	Page
SK5	14940171	Skimmer for ponds up to 5,000 gallons (S1000)	19
SPBI	517500	Positioning bracket for S580, S900, S1200	29
SPW10	517202	Spillway, 10"	15
SPW18	517203	Spillway, 18"	15
T-1-1/2-25-BFPVC	566182	Black flexible PVC, 1-1/2"	24
T-2-25-BFPVC	566184	Black flexible PVC, 2"	24
TF-PW	566048	Floating thermometer	27
TS-1.5	517102	Intake screen for 1.5" MNPT	18, 29
TS2.0	517103	Intake screen for 2" MNPT	18, 29
TS-3.0	517503	Intake screen for 3" MNPT	18, 29
UPB-1212-PW	566556	Square 12" basket - case qty only	28
UPB-R9-PW	566553	Round 9" basket - case qty only	28
UVC18	517425	UV clarifier, 18 Watt	21
UVC18RB	517428	UV clarifier, 18 Watt replacement lamp	29
UVC36	517426	UV clarifier, 36 Watt	21
UVC36RB	517429	UV clarifier, 36 Watt replacement lamp	29
UVC9	517424	UV clarifier, 9 Watt	21
UVC9RB	517427	UV clarifier, 9 Watt replacement lamp	29
WF10	571011	Waterfall filter for ponds up to 10,000 gallons (F5000)	20
WF5	571010	Waterfall filter for ponds up to 5,000 gallons (F1000)	20, 24
WFF-20	599057	Black waterfall foam, 20 oz - case qty only	20, 24
WFW	566239	Waterfall weir, 6000 gph	15, 24
WGFP-100	566070	Pump - 6400 gph @ 5', 1210 Watts, 15' cord, 1-3/8" solids	11
WGFP-150	566071	Pump - 9750 gph @ 5', 1210 Watts, 19' cord, 3/4" solids	11
WGFP-200	566072	Pump - 16000 gph @ 5', 2085 Watts, 19' cord, 3/4" solids	11
WGFP-50	566068	Pump - 4280 gph @ 5', 590 Watts, 15' cord, 1-3/16" solids	11
WGFP-75	566069	Pump - 4900 gph @ 5', 847 Watts, 15' cord, 1-3/8" solids	11
WGP-65-PW	566409	Premium direct drive pump - 1900 gph, 230 Watts, 16' cord	10
WGP-80-PW	566417	Premium direct drive pump - 3500 gph, 640 Watts, 16' cord	10
WGP-95-PW	566407	Premium direct drive pump - 4280 gph, 700 Watts, 16' cord	10
	10215	Repair kit A180 - A210 & S225	29
	10216	Repair kit A180T - A210T & S225T	29
	10220	Repair kit A280 - A430 & S320	29
	10221	Repair kit A280T - A430T & S320T	29
	11200	Repair kit for S580	29
	11205	Repair kit for S900T	29
	11210	Repair kit for S1200T	29
	118984	Kit, repair parts, PE-1F-PW	29
	118985	Kit, repair parts, PE-2H-PW	29
	118986	Kit, repair parts, PE-2F-PW	29
	118987	Kit, repair parts, PE-1H-PW	29
	118988	Kit, repair parts, PE-2.5F-PW	29
	166055	FP1 impeller and rotor assembly	29
	166056	FP2 impeller and rotor assembly	29
	166057	FP3 impeller and rotor assembly	29
	166058	FP6 impeller and rotor assembly	29
	166059	FP9 impeller and rotor assembly	29
	166060	FP pumps O-ring and screws	29
	166360	Impeller PES700	29
	166361	Impeller PES800	29
	166362	Impeller PES1000	29
	166468	36" DFB column	29
	166469	36" DFB wedge	29
	166471	44" DFB support tube	29
	166472	44" DFB plate	29
	166772	Replacement screen kit, F10-F70	29
	166773	Replacement housing, F10-F-20	29
	166774	Replacement housing, F30-F70	29
	166775	Replacement volute kit, F10	29
	166776	Replacement volute kit, F20	29
	166777	Replacement volute kit, F30-F50	29
	166780	Replacement volute kit, F70	29
	166781	Replacement rotor kit, F10	29
	166782	Replacement rotor kit, F20	29
	166783	Replacement rotor kit, F30	29
	166784	Replacement rotor kit, F40	29
	166785	Replacement rotor kit, F50	29

Model	Item No.	Description	Page
	166786	Replacement rotor kit, F70	29
	166787	Replacement screen, F10-F70	29
	170170	WGP 1" elbow	29
	170194	WGP 1-1/2" elbow	29
	170208	WGP plate	29
	170209	WGP plug	29
	170277	Mesh bag for biomedica	29
	170299	Skimmer net for SK5	29
	170300	Skimmer net for SK10	29
	170303	Grate for SK5	29
	170304	Grate for SK10	29
	170311	Lid for SK5	29
	170312	Lid for SK10	29
	170313	Black lid for WF10	29
	170315	Black lid for WF10	29
	170461	Lid for SK2.5	29
	170463	Grate for SK2.5	29
	170465	Skimmer net for SK2.5	29
	170755	Colored lens set for fixture for LVL	29
	170756	Light fixture glass lens for LVL and LED	29
	517326	Replacement fountain/aerator Harmony nozzle assembly	29
	517327	Replacement centrifugal pump nozzle adaptor assembly	29
	517329	Replacement 100' cord set w/ motor lead and support tube	29
	517331	Replacement float 36"	29
	566357	Liner, 5' x 100' EPDM roll	26
	566358	Liner, 10' x 100' EPDM roll	26
	566359	Liner, 15' x 100' EPDM roll	26
	566360	Liner, 20' x 100' EPDM roll	26
	566361	Liner, 25' x 100' EPDM roll	26
	566362	Liner, 30' x 100' EPDM roll	26
	566363	Liner, 35' x 100' EPDM roll	26
	566364	Liner, 40' x 100' EPDM roll	26
	566365	Liner, 50' x 100' EPDM roll	26
	566366	Liner, 20' x 50' EPDM mini roll	26
	566367	Liner, 25' x 50' EPDM mini roll	26
	566368	Liner, 30' x 50' EPDM mini roll	26
	566369	6" x 25' cover seam tape	26
	566370	6" x 100' cover seam tape	26
	566371	LVOC QuickPrime Plus, quart	26
	566372	LVOC QuickPrime Plus, gallon	26
	566373	Quickseam scrubber kit	26
	566374	EPDM repair kit	26
	566375	Silicone roller	26
	566376	Pipe boot	26
	566377	5' x 300' 6 oz. liner underlayment	26
	566533	Fogger disk replacement kit	29
	566545	10' x 15' Liner	24, 26
	566546	15' x 15' Liner	26
	566547	15' x 20' Liner	24, 26
	566548	10' x 15' 6 oz. liner underlayment	26
	566549	15' x 15' 6 oz. liner underlayment	26
	566550	15' x 20' 6 oz. liner underlayment	25
	566813	SK2.5 repair kit	29
	566815	SK5 repair kit	29
	566816	SK10 repair kit	29
	860-10	Filter pad for spillway, 10"	29
	860-18	Filter pad for spillway, 18"	29
	924006	LED EggLite wire connection O-ring	29
	924135	Light fixture O-ring for LVL and LED	29
	925023	3" Flexible pipe grommet	25
	925033	2" Flexible pipe grommet	25
	925034	4" Flexible pipe grommet	25
	925035	3/4" Flexible pipe grommet - fountain connector	25
	925054	1/2" Flexible pipe grommet - fountain connector	25
	990108	PTFE	29
	14940208	RTV silicone sealant	29
	14940581	Skimmer lid plug	29

INDEX OF ITEMS NUMERICALLY BY ITEM NUMBER

Item	Model	Description	Page
	10215	Repair kit A180 - A210 & S225	29
	10216	Repair kit A180T - A210T & S225T	29
	10220	Repair kit A280 - A430 & S320	29
	10221	Repair kit A280T - A430T & S320T	29
	11200	Repair kit for S580	29
	11205	Repair kit for S900T	29
	11210	Repair kit for S1200T	29
	118984	Kit, repair parts, PE-1F-PW	29
	118985	Kit, repair parts, PE-2H-PW	29
	118986	Kit, repair parts, PE-2F-PW	29
	118987	Kit, repair parts, PE-1H-PW	29
	118988	Kit, repair parts, PE-2.5F-PW	29
	166055	FP1 impeller and rotor assembly	29
	166056	FP2 impeller and rotor assembly	29
	166057	FP3 impeller and rotor assembly	29
	166058	FP6 impeller and rotor assembly	29
	166059	FP9 impeller and rotor assembly	29
	166060	FP pumps O-ring and screws	29
	166360	Impeller PES700	29
	166361	Impeller PES800	29
	166362	Impeller PES1000	29
	166468	36" DFB column	29
	166469	36" DFB wedge	29
	166471	44" DFB support tube	29
	166472	44" DFB plate	29
	166772	Replacement screen kit, F10-F70	29
	166773	Replacement housing, F10-F-20	29
	166774	Replacement housing, F30-F70	29
	166775	Replacement volute kit, F10	29
	166776	Replacement volute kit, F20	29
	166777	Replacement volute kit, F30-F50	29
	166780	Replacement volute kit, F70	29
	166781	Replacement rotor kit, F10	29
	166782	Replacement rotor kit, F20	29
	166783	Replacement rotor kit, F30	29
	166784	Replacement rotor kit, F40	29
	166785	Replacement rotor kit, F50	29
	166786	Replacement rotor kit, F70	29
	166787	Replacement screen, F10-F70	29
	170170	WGP 1" elbow	29
	170194	WGP 1-1/2" elbow	29
	170208	WGP plate	29
	170209	WGP plug	29
	170277	Mesh bag for biomedica	29
	170299	Skimmer net for SK5	29
	170300	Skimmer net for SK10	29
	170303	Grate for SK5	29
	170304	Grate for SK10	29
	170311	Lid for SK5	29
	170312	Lid for SK10	29
	170313	Black lid for WF10	29
	170315	Black lid for WF10	29
	170461	Lid for SK2.5	29
	170463	Grate for SK2.5	29
	170465	Skimmer net for SK2.5	29
	170755	Colored lens set for fixture for LVL	29
	170756	Light fixture glass lens for LVL and LED	29
#1	501004	Direct drive oil-filled pump - 115 V, 60 Hz, 6', 205 gph	12
2E-38N-WG	502375	Direct drive oil-filled pump - 115 V, 60 Hz, 15' UL/CSA, 300 gph	12
3E-12N	503375	Direct drive oil-filled pump - 115 V, 60 Hz, 6' black, 500 gph	12
S225T-6	517000	SS & bronze pump - 225 gph with 6' cord	9
S225T-20	517001	SS & bronze pump - 225 gph, 115 V with 20' cord	9
S320T-6	517002	SS & bronze pump - 320 gph, 115 V with 6' cord	9
S320T-20	517003	SS & bronze pump - 320 gph, 115 V with 20' cord	9
S320T-50	517004	SS & bronze pump - 320 gph, 115 V with 50' cord	9
S580T-6	517005	SS & bronze pump - 580 gph, 115 V with 6' cord	9
S580T-20	517006	SS & bronze pump - 580 gph, 115 V with 20' cord	9
S580T-50	517007	SS & bronze pump - 580 gph, 115 V with 50' cord	9
S900T-6	517008	SS & bronze pump - 900 gph, 115 V with 6' cord	9
S900T-20	517009	SS & bronze pump - 900 gph, 115 V with 20' cord	9
S900T-50	517010	SS & bronze pump - 900 gph, 115 V with 50' cord	9
S1200T-6	517011	SS & bronze pump - 1200 gph with 6' cord	9
S1200T-20	517012	SS & bronze pump - 1200 gph, 115 V with 20' cord	9
S1200T-50	517013	SS & bronze pump - 1200 gph, 115 V with 50' cord	9
CFS-170T	517100	Barrel filter, 1" FNPT	18, 29
CFS-955	517101	Foam filter for CFS-155T & CFS-170T	18, 29
TS-1.5	517102	Intake screen for 1.5" MNPT	18, 29
TS2.0	517103	Intake screen for 2" MNPT	18, 29
SF1.0	517104	Swivel fitting, 1"	29
RJ21	517200	Spray ring with 21 jets	16
SPW10	517202	Spillway, 10"	15
SPW18	517203	Spillway, 18"	15
APA-05-HAR	517300	Aeration unit, 1/2 hp	17
APA-10-HAR	517301	Aeration unit, 1 hp	17
FPA-05-K01	517310	Fountain conversion kit for aeration unit APA-05-HAR	17
FPA-10-K01	517311	Fountain conversion kit for aeration unit APA-10-HAR	17
FNA01	517319	Sonata fountain nozzle	17
FNA02	517320	Cantata fountain nozzle	17
FNA03	517321	Concerto fountain nozzle	17
FNA04	517322	Staccato fountain nozzle	17
FNA05	517323	Crescendo fountain nozzle	17
	517326	Replacement fountain/aerator Harmony nozzle assembly	29
	517327	Replacement centrifugal pump nozzle adaptor assembly	29
	517329	Replacement 100' cord set w/ motor lead and support tube	29
	517331	Replacement float 36"	29
LEC-5M	517403	EggLite extension cord, 16'	29
LRB-10W-30	517410	Replacement bulb, 12 V, 10 Watt, 30 degrees	29
LTR-60W	517412	Transformer, 60 Watt EggLite	29
LIC-20	517413	Light bronze & SS lighting, 115 V with 20' cord	23
LIC-50	517414	Light bronze & SS lighting, 115 V with 50' cord	23
LIC-100	517415	Light bronze & SS lighting, 115 V with 100' cord	23
L-1001	517417	Tungsten halogen 250 Watt bulb, 115 V	29
L-1002A	517419	L-1 lens, amber	29
L-1002B	517421	L-1 lens, blue	29
L-1002C	517422	L-1 lens, clear	29
L-1002G	517423	L-1 lens, green	29
UVC9	517424	UV clarifier, 9 Watt	21
UVC18	517425	UV clarifier, 18 Watt	21
UVC36	517426	UV clarifier, 36 Watt	21
UVC9RB	517427	UV clarifier, 9 Watt replacement lamp	29
UVC18RB	517428	UV clarifier, 18 Watt replacement lamp	29
UVC36RB	517429	UV clarifier, 36 Watt replacement lamp	29
SPB1	517500	Positioning bracket for S580, S900, S1200	29
L-1002R	517501	L-1 lens, red	29
TS-3.0	517503	Intake screen for 3" MNPT	18, 29
SF1.5	517504	Swivel fitting, 1-1/2"	29
CFS-100	517505	Filter screen, small plastic	18, 29
CFS-155T	517506	Filter screen, plastic, for large SST, CFS-955	18, 29
1-MA	521204	Direct drive oil-filled pump - 115 V, 60 Hz, 6', 170 gph	12
P-AAA	523375	Magnetic drive pump - 115 V, 60 Hz, 6', 120 gph	12
RS-5	566009	Low water pump shut-off, 115 V, 10 amps	27
N-710-PW	566045	Netting, 7' x 10'	27
N-1414-PW	566046	Netting, 14' x 14'	27
N-2828-PW	566047	Netting, 28' x 28'	27
TF-PW	566048	Floating thermometer	27
P-418-PW	566049	Pond de-icer, 1200 Watts	27
NS	566050	Skimmer net	28
WGFP-50	566068	Pump - 4280 gph @ 5', 590 Watts, 15' cord, 1-3/16" solids	11
WGFP-75	566069	Pump - 4900 gph @ 5', 847 Watts, 15' cord, 1-3/8" solids	11
WGFP-100	566070	Pump - 6400 gph @ 5', 1210 Watts, 15' cord, 1-3/8" solids	11
WGFP-150	566071	Pump - 9750 gph @ 5', 1210 Watts, 19' cord, 3/4" solids	11
WGFP-200	566072	Pump - 16000 gph @ 5', 2085 Watts, 19' cord, 3/4" solids	11
PF-AD-PW	566107	Dual filter kit	18
FB-PW	566108	Pump filter box	18



INDEX OF ITEMS NUMERICALLY BY ITEM NUMBER

Item	Model	Description	Page
PF-RP-PW	566109	PF-AD replacement filter pad	18, 29
FK-SBF-RP-PW	566111	FB replacement filter pad	18, 29
BM-30-PW	566112	Biomedia, 30 ct	20, 29
SBF-1-RP-PW	566113	Replacement filter pads	18, 29
FC-RP	566115	Filter pads	29
SK2.5	566131	Skimmer for ponds up to 2,500 gallons	24
FP1	566132	Flex pump - 1000 gph	6
FP2	566133	Flex pump - 2000 gph	6
FP3	566134	Flex pump - 3000 gph	6
FP6	566135	Flex pump - 6000 gph	6
FP9	566137	Flex pump - 9000 gph	6
PRS-BDK-2	566181	Bottom drain kit for pond skimmers	19
T-1-1/2-25-BF-PVC	566182	Black flexible PVC, 1-1/2"	24
T-2-25-BFPVC	566184	Black flexible PVC, 2"	24
LED-B	566224	11-way multi-colored LED MR-16 bulb	22
LED-L	566225	LED with fixture	22
C-1	566227	Tubing clamp - case qty only	25
FC-1/4	566228	Flow control assembly, FNPT x barb - case qty only	25
LVLK-LED	566236	Multi-color LED kit	22
LVLK-HAL	566237	LVL Halogen Lighting Kit	23
WFW	566239	Waterfall weir, 6000 gph	15, 24
FHT-1280-PW	566240	Waterbell fountain nozzle	16
AD-3M-3S	566244	3" male adapter MNPT x slip	25
AD-BH-3	566249	3" bulkhead fitting	25
BV-112S	566250	Ball valve 1-1/2" slip, PVC	25
BV-112SU	566252	Union ball valve, 1-1/2" ips, PVC	25
AD-112US	566254	Union 1-1/2" slip, PVC	25
AD-2US	566255	Union 2" slip, PVC	25
AD-BH-2	566257	2" bulkhead fitting	25
AD-2M-2S	566258	2" male adapter MNPT x slip	25
FHK-1-PW	566266	Fountain head kit	16
FHT-1090-PW	566267	Fountain nozzle kit, 3-tier with telescope	16
AFV-GH	566286	Auto fill valve kit, 1/2" MNPT	24, 27
C-2-PW	566289	Restrictor clamp - case qty only	25
	566357	Liner, 5' x 100' EPDM roll	26
	566358	Liner, 10' x 100' EPDM roll	26
	566359	Liner, 15' x 100' EPDM roll	26
	566360	Liner, 20' x 100' EPDM roll	26
	566361	Liner, 25' x 100' EPDM roll	26
	566362	Liner, 30' x 100' EPDM roll	26
	566363	Liner, 35' x 100' EPDM roll	26
	566364	Liner, 40' x 100' EPDM roll	26
	566365	Liner, 50' x 100' EPDM roll	26
	566366	Liner, 20' x 50' EPDM mini roll	26
	566367	Liner, 25' x 50' EPDM mini roll	26
	566368	Liner, 30' x 50' EPDM mini roll	26
	566369	6" x 25' cover seam tape	26
	566370	6" x 100' cover seam tape	26
	566371	LVOC QuickPrime Plus, quart	26
	566372	LVOC QuickPrime Plus, gallon	26
	566373	Quickseam scrubber kit	26
	566374	EPDM repair kit	26
	566375	Silicone roller	26
	566376	Pipe boot	26
	566377	5' x 300' 6 oz. liner underlayment	26
WGP-95-PW	566407	Premium direct drive pump - 4280 gph, 700 Watts, 16' cord	10
WGP-65-PW	566409	Premium direct drive pump - 1900 gph, 230 Watts, 16' cord	10
SF	566410	Simply falls pump vault	14, 24
WGP-80-PW	566417	Premium direct drive pump - 3500 gph, 640 Watts, 16' cord	10
LVT-08	566435	Plug In Transformer	22
LXE2-R	566439	Red Add-on Light	22
LXE2-W	566440	White Add-on Light	22
LXE2-G	566441	Green Add-on Light	22
LXE2-B	566442	Blue Add-on Light	22
LCE2-W	566443	Plug In Kit	22
LC-10E	566449	Extension cord, 10' male to female LED EggLite	22
FF4	566516	Fountain support feet, 4-pack	14

Item	Model	Description	Page
DFB36	566517	Disappearing fountain basin, 36" diameter	14
FHT-1170-PW	566518	Bubbler fountain nozzle	16
FHV-2549-PW	566523	1/2" diverter valve	16
LVL-PW	566527	Low voltage light kit	23
LVL-HB-PW	566528	Replacement halogen lamp	23
	566533	Fogger disk replacement kit	29
	566545	10' x 15' Liner	24, 26
	566546	15' x 20' Liner	26
	566547	15' x 20' Liner	24, 26
	566548	10' x 15' 6 oz. liner underlayment	26
	566549	15' x 15' 6 oz. liner underlayment	26
	566550	15' x 20' 6 oz. liner underlayment	25
UPB-R9-PW	566553	Round 9" basket - case qty only	28
UPB-1212-PW	566556	Square 12" basket - case qty only	28
DFB44	566558	Disappearing basin, 44" square	14
DFB36PP	566559	Pallet program 36" disappearing basin - case qty only	14
DFB44PP	566560	Pallet program 44" disappearing basin - case qty only	14
FPB	566596	Fittings, pipe, shims, grommet	14
DFB30	566599	Disappearing fountain basin, 30" diameter	14
PE-1H-PW	566604	Direct drive pump - 170 gph, 36 Watts, 6' cord	8
PE-1F-PW	566608	Direct drive pump - 170 gph, 36 Watts, 15' cord	8
PE-2H-PW	566609	Direct drive pump - 300 gph, 47 Watts, 6' cord	8
PE-2F-PW	566611	Direct drive pump - 300 gph, 47 Watts, 15' cord	8
PE-2.5F-PW	566612	Direct drive pump - 475 gph, 80 Watts, 15' cord	8
PES-40-PW	566713	Magnetic drive pump - 47 gph, 5 Watts, 6' cord	7
PES-80-PW	566714	Magnetic drive pump - 77 gph, 8 Watts, 6' cord	7
PES-130-PW	566716	Magnetic drive pump - 130 gph, 11 Watts, 6' cord	7
PES-290-PW	566717	Magnetic drive pump - 300 gph, 23 Watts, 6' cord	7
PES-380-PW	566718	Magnetic drive pump - 380 gph, 36 Watts, 15' cord	7
PES-700-PW	566720	Magnetic drive pump - 725 gph, 46 Watts, 15' cord	7
PES-800-PW	566721	Magnetic drive pump - 875 gph, 100 Watts, 15' cord	7
PES-1000-PW	566722	Magnetic drive pump - 1150 gph, 160 Watts, 15' cord	7
F10-1200	566724	F-series wet rotor pump - 1200 gph	5
F20-2700	566725	F-series wet rotor pump - 2700 gph	5, 24
F30-4000	566726	F-series wet rotor pump - 4000 gph	5, 24
F50-5000	566727	F-series wet rotor pump - 5500 gph	5
F40-5500	566728	F-series wet rotor pump - 5000 gph	5, 24
F70-7300	566729	F-series wet rotor pump - 7300 gph	5
	566813	SK2.5 repair kit	29
	566815	SK5 repair kit	29
	566816	SK10 repair kit	29
AFN	567574	Fish net	28
WF5	571010	Waterfall filter for ponds up to 5,000 gallons (F1000)	20, 24
WF10	571011	Waterfall filter for ponds up to 10,000 gallons (F5000)	20
WFF-20	599057	Black waterfall foam, 20 oz - case qty only	20, 24
RFSN-16	599211	Low water pump shut-off, 115/230 V, 15 amps	27
RFSN-20	599318	Low water pump shut-off, 230 V, 20 amps	27
	860-10	Filter pad for spillway, 10"	29
	860-18	Filter pad for spillway, 18"	29
	924006	LED EggLite wire connection O-ring	29
	924135	Light fixture O-ring for LVL and LED	29
	925023	3" Flexible pipe grommet	25
	925033	2" Flexible pipe grommet	25
	925034	4" Flexible pipe grommet	25
	925035	3/4" Flexible pipe grommet - fountain connector	25
	925054	1/2" Flexible pipe grommet - fountain connector	25
CV-SE1	940019	Check valve, 1-1/2" ips (1-1/2" solids)	25
CV-SE2	940022	Check valve, 2" ips (2" solids)	25
CV-SE3	940023	Check valve, 3" ips (3" solids)	25
DA-60-12WA-1	950887	60 Watt transformer	22, 29
	990108	PTFE	29
SK5	14940171	Skimmer for ponds up to 5,000 gallons (S1000)	19
SK10	14940172	Skimmer for ponds up to 10,000 gallons (S5000)	19, 24
	14940208	RTV silicone sealant	29
BFK-M	14940321	Manual backflush kit	20, 24
F-SBRK	14940343	Skimmer brush kit	29
	14940581	Skimmer lid plug	29



