



4" Submersible Pumps

INSTALLATION, OPERATION AND MAINTENANCE MANUAL

Owner's Information

Pump Model #: _____
Pump Serial #: _____
Motor Model #: _____
Motor Serial #: _____
Dealer: _____
Dealer Telephone: _____
Purchase Date: _____
Installation Date: _____
Volts: _____
Amps: _____

Table of Contents

| SUBJECT | PAGE |
|---|-------------|
| Safety Instructions..... | 3 & 4 |
| Pump Protection Devices..... | 4 |
| Installation Checklist..... | 5 |
| 1.0 Typical Installations..... | 6 |
| 2.0 Piping and Tank..... | 7 |
| 3.0 Wire Sizing, Splicing and Power Supply | 9 |
| 4.0 Wiring the Controls and Switch | 10 |
| 5.0 Starting the Pump..... | 12 |
| 6.0 Paperwork and IOM..... | 12 |
| CentriPro 4" 1 Ph Motor Data..... | 13 |
| Single Phase Wire Sizing Charts..... | 14 |
| PumpSaver Schematics..... | 14 |
| Three Phase Motor Data | 15 |
| Three Phase Motor Electrical Data | 16 |
| Three Phase Motor Wire Chart..... | 17 |
| Resistance and Generator Data | 18 |
| Wiring Diagrams..... | 19 & 20 |
| Three Phase Starters | 21 |
| Troubleshooting | 22 |
| Limited Consumer Warranty..... | 66 |

SAFETY INSTRUCTIONS

TO AVOID SERIOUS OR FATAL PERSONAL INJURY OR MAJOR PROPERTY DAMAGE, READ AND FOLLOW ALL SAFETY INSTRUCTIONS IN MANUAL AND ON PUMP.

THIS MANUAL IS INTENDED TO ASSIST IN THE INSTALLATION AND OPERATION OF THIS UNIT AND MUST BE KEPT WITH THE PUMP.



This is a **SAFETY ALERT SYMBOL**. When you see this symbol on the pump or in the manual, look for one of the following signal words and be alert to the potential for personal injury or property damage.



Warns of hazards that **WILL** cause serious personal injury, death or major property damage.



Warns of hazards that **CAN** cause serious personal injury, death or major property damage.



Warns of hazards that **CAN** cause personal injury or property damage.

NOTICE: INDICATES SPECIAL INSTRUCTIONS WHICH ARE VERY IMPORTANT AND MUST BE FOLLOWED.

THOROUGHLY REVIEW ALL INSTRUCTIONS AND WARNINGS PRIOR TO PERFORMING ANY WORK ON THIS PUMP.

MAINTAIN ALL SAFETY DECALS.

Important notice: Read safety instructions before proceeding with any wiring



All electrical work must be performed by a qualified technician. Always follow the National Electrical Code (NEC), or the Canadian Electrical Code, as well as all local, state and provincial codes. Code questions should be directed to your local electrical inspector. Failure to follow electrical codes and OSHA safety standards may result in personal injury or equipment damage. Failure to follow manufacturer's installation instructions may result in electrical shock, fire hazard, personal injury or death, damaged equipment, provide unsatisfactory performance, and may void manufacturer's warranty.



Standard units are not designed for use in swimming pools, open bodies of water, hazardous liquids, or where flammable gases exist. Well must be vented per local codes. *See specific pump catalog bulletins or pump nameplate for all agency Listings.*



Disconnect and lockout electrical power before installing or servicing any electrical equipment. Many pumps are equipped with automatic thermal overload protection which may allow an overheated pump to restart unexpectedly.



Never over pressurize the tank, piping or system to a pressure higher than the tank's maximum pressure rating. This will damage the tank, voids the warranty and may create a serious hazard.



Protect tanks from excessive moisture and spray as it will cause the tank to rust and may create a hazard. See tank warning labels and IOM for more information.

SAFETY INSTRUCTIONS (continued)

- ⚠ WARNING** Do not lift, carry or hang pump by the electrical cables. Damage to the electrical cables can cause shock, burns or death.
- ⚠ WARNING** Use only stranded copper wire to pump/motor and ground. The ground wire must be at least as large as the power supply wires. Wires should be color coded for ease of maintenance and troubleshooting.
- ⚠ DANGER** Install wire and ground according to the National Electrical Code (NEC), or the Canadian Electrical Code, as well as all local, state and provincial codes.
- ⚠ WARNING** Install an all leg disconnect switch where required by code.
- ⚠ WARNING** The electrical supply voltage and phase must match all equipment requirements. Incorrect voltage or phase can cause fire, motor and control damage, and voids the warranty.
- ⚠ WARNING** All splices must be waterproof. If using splice kits follow manufacturer's instructions.
- ⚠ WARNING** Select the correct type and NEMA grade junction box for the application and location. The junction box must insure dry, safe wiring connections.
- ⚠ CAUTION** All motors require a minimum 5' submergence for proper refill check valve operation.
- ⚠ WARNING** Failure to permanently ground the pump, motor and controls before connecting to power can cause shock, burns or death.
- ⚠ CAUTION** All three phase (3Ø) controls for submersible pumps must provide Class 10, quick-trip, overload protection.
- ⚠ WARNING** 4" motors \geq 2 HP require a minimum flow rate of .25 ft/sec. or 7.62 cm/sec. past the motor for proper motor cooling. The following are the minimum flows in GPM per well diameter required for cooling: 1.2 GPM/4", 7 GPM/5", 13 GPM/6", 20 GPM/7", 30 GPM/8" or 50 GPM in a 10" well.
- ⚠ CAUTION** Pumps \geq 2 HP installed in large tanks should be installed in a flow inducer sleeve to create the needed cooling flow or velocity past the motor.
- ⚠ CAUTION** This pump has been evaluated for use with Water Only.

⚠ WARNING This product can expose you to chemicals including Lead, which is known to the State of California to cause cancer and birth defects or other reproductive harm. For more information go to: www.P65Warnings.ca.gov.

PUMP PROTECTION

We recommend using SymCom's PumpSaver to protect the system from low water, rapid cycling, high/low voltage, dead heading/flow restriction and overcurrent.

INSTALLATION CHECK LIST

- Enter the pump and motor information and other requested data on the front of this manual.
- Inspect all components for shipping damage, report damage to the distributor immediately.
- Verify that motor HP and pump HP match.
- Match power supply voltage and phase to motor and control specifications.
- Select a dry, shaded location in which to mount the controls.
- Make all underwater and underground splices with waterproof splice connections.
- Hold the pump at the discharge head when installing threaded pipe or an adapter fitting as most pumps have left hand threads which will be loosened if you hold the pump anyplace except the discharge head.
- Check all plumbing connections to insure they are tight and sealed with Teflon tape.
- Verify that the pipe pressure rating is higher than pump shut-off pressure.
- Install a pressure relief valve on any system capable of creating over 75 PSI. The system pressure cannot exceed the tank's maximum pressure rating.
- Locating the tank and controls in an area protected from rain, spray and other environmental factors may prolong their useful life. Especially in areas with acid rain and saline water.
- Locate the pressure switch within 4' of the pressure tank to prevent switch chatter.
- Adjust tank pre-charge to 2 PSI below the system cut-in pressure setting, ex. 28 on a 30/50 system.
- Set the pump 10' above the well bottom to keep above sediment and debris.
- Insure that main power is disconnected, turned OFF, before wiring any components.
- Wiring should be performed only by qualified technicians.
- Wiring and Grounding must be in compliance with national and local codes.
- Restrict the flow with a ball or globe valve, 1/3 open, before starting pump for first time.
- Open a faucet or discharge valve on start-up to keep dirty water from entering the tank.
- Turn main breaker or disconnect ON.
- Run through several on/off cycles to verify proper switch operation.
- Check amps and enter the data on the front of this manual.
- Leave the manual with the owner or at the job site.

1.0 TYPICAL INSTALLATIONS

CAPTIVE AIR TANK INSTALLATION

NOTICE: TANK PRE-CHARGE PRESSURE CHANGES MUST BE MADE USING THE AIR VALVE ON TOP OF THE TANK.

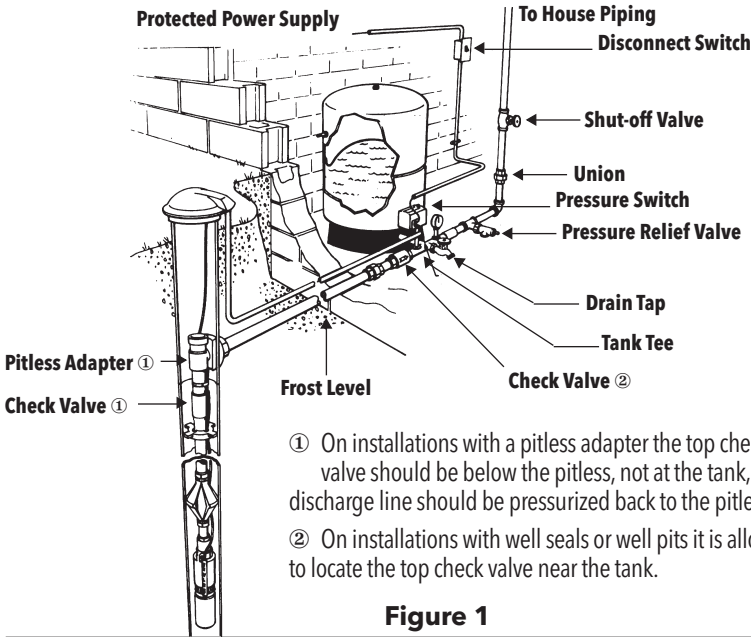
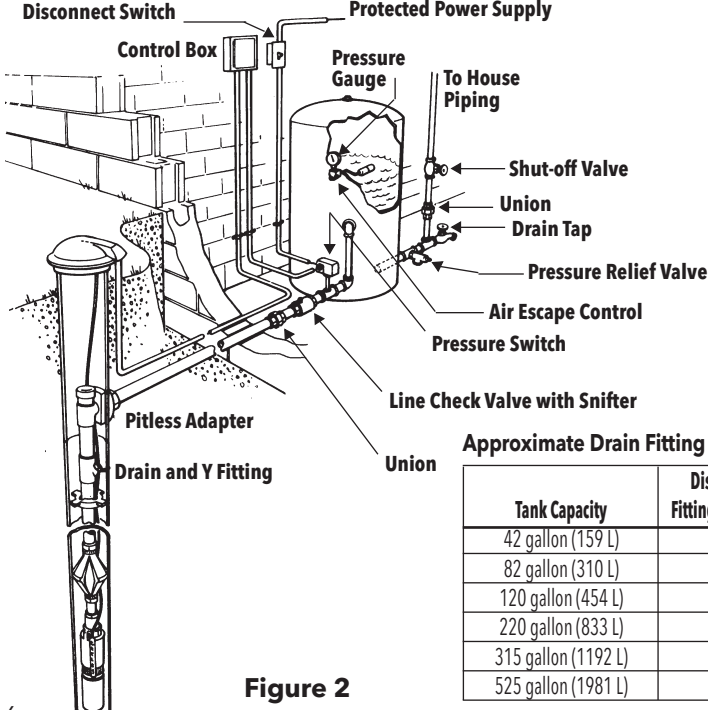


Figure 1

GALVANIZED TANK INSTALLATION



Approximate Drain Fitting Setting

| Tank Capacity | Distance Drain and "Y" Fitting Below the Line Check |
|---------------------|---|
| 42 gallon (159 L) | 7 feet (2.1m) |
| 82 gallon (310 L) | 10 feet (3m) |
| 120 gallon (454 L) | 15 feet (4.6m) |
| 220 gallon (833 L) | 15 feet (4.6m) |
| 315 gallon (1192 L) | 20 feet (6.1m) |
| 525 gallon (1981 L) | 20 feet (6.1m) |

Figure 2

2.0 PIPING

Notice: Most 4" submersibles have left-hand discharge head threads, hold the pump *only* at the "discharge head" when installing fittings or threaded pipe.



2.1 General

The pump discharge piping should be sized for efficient pump operation. Use the Friction Loss Tables to calculate total dynamic head using different pipe sizes. As a rule of thumb, use 1" for up to 10 gpm, 1¼" for up to 30 gpm, 1½" for up to 45 gpm, and 2" for up to 80 gpm. In the case of long pipe runs it is best to increase pipe size.

Some pumps are capable of very high discharge pressures, please select pipe accordingly. Consult with your pipe supplier to determine the best type of pipe for each installation.



2.2 Pressure Tank, Pressure Switch and Pressure Relief Valve

Select a dry location in which the ambient temperature is always above 34° F (1° C) in which to install the tank, pressure switch, and pressure relief valve. The tank should be located in an area where a leak will not damage property.

The pressure switch should be located at the tank cross tee and never more than 4' from the tank. Locating the switch more than 4' from the tank will cause switch chatter.

Do not install valves, filters, or high loss fittings between the switch and the tank(s) as switch chatter may result. As an example, a 1¼" spring check valve has friction loss equal to 12' of pipe, placing the valve between the pressure switch and the

pressure tank is the same as moving the pressure switch 12' away from the tank. It will create switch chatter.

On multiple tank installations the switch should be as close to the center of the tanks as possible. Multiple tank installations should have a manifold pipe at least 1½ times the size of the supply pipe from the pump. This will reduce the Friction Head in the manifold and reduce the possibility of switch chatter.

Pressure relief valves are required on any system that is capable of producing 100 psi or 230' TDH. If blow-off may damage property, connect a drain line to the pressure relief valve and run it to a suitable drain.

2.3 Adjusting Tank Pre-Charge

Insure that the tank is empty of water. Use a high quality pressure gauge to check the tank pre-charge pressure. The pressure should be 2 psi below the pump cut-in pressure. As an example, a 30-50 psi system would use a tank pre-charge of 28 psi.

2.4 Discharge Pipe

Note: Most discharge heads are threaded into the casing with left-hand threads. Hold the pump only at the discharge head when installing fittings. Failure to hold the discharge head will loosen it and pump damage will result on start-up.

If your pipe requires an adapter we strongly recommend using stainless steel. Galvanized fittings or pipe should never be connected directly to a stainless steel discharge head as galvanic corrosion may occur. Plastic or brass pumps can use any material for this connection. Barb type connectors should always be double clamped.

The pump discharge head has a loop for attaching a safety cable. The use of a safety cable is recommended when using poly pipe as the pipe stretches when under pressure and filled with water.

2.5 Assemble Pump End to Motor

Remove the cable guard from the pump (water end). Attach the water end to the motor aligning the coupling grooves to the grooves on the motor shaft. Important: the coupling should be completely lowered onto the motor shaft, spin the motor shaft to check for free rotation. Secure the four motor nuts in an alternating pattern at 13 ft.-lbs. Align the wires in the cable guard, place the blue wire protector inside the cable guard at the top end of the pump for strain relief. The blue wire protector must be between the wires and the pump end. Reattach the cable guard to the water end making sure not to pinch the motor wires.

2.6 Installing Pump in Well

If using a torque arrestor, install it per the manufacturer's installation instructions. Consult the seller for information on torque arrestors and for installation instructions.

Connect the discharge pipe to the discharge head or adapter. Barb style connectors should be double clamped. Install the pump into the well using a pitless adapter or similar device at the wellhead. Consult the fitting manufacturer or pitless supplier for specific installation instructions.

Using waterproof electrical tape, fasten the wires to the drop pipe at 10' intervals. Pump suppliers also sell clip-on style wire connectors that attach to the drop pipe.

2.7 Special Piping For Galvanized Tank Systems

When using a galvanized tank install an AV11 Drain & Y fitting in the well and a check valve with sniffer valve at the tank. This will add air to the tank and prevent water logging the tank. Use an AA4 Air Escape on the tank to allow excess air to escape. The distance between the AV11 and check valve with sniffer valve determines the amount of air introduced on each cycle. See the table for recommended settings. See *Figure 2 in Sec 1.0*.

Gaseous wells should use galvanized or glass lined steel tanks with AA4 air escapes to vent off excess air and prevent "spurting" at the faucets.

Methane and other explosive or dangerous gases require special water treatment for safe removal. Consult a water treatment specialist to address these issues.

Installations with top feeding wells should use flow sleeves on the pump.

2.8 Check Valves

Our pumps use four different styles of check valves. We recommend check valves as they prevent back-spinning the pump and motor which will cause premature bearing wear. Check valves also prevent water hammer and upthrust damage. Check valves should be installed every 200' in the vertical discharge pipe. See notes 1 & 2 on Figure 1 for other check valve placement recommendations.

If you wish to disable a check valve for a drain back system, you should use other means to prevent water hammer and upthrust damage:

- **Built-in stainless steel valves** have a flat which is easily drilled through using an electric drill and a 1/4" or 3/8" drill bit to disable the valve.

- **Poppet style check valves which are threaded in from the top** of the discharge head can be easily removed using a ½" nut driver or deep socket. The hex hub is visible and accessible from the top.
- **Internal Flomatic™ design plastic poppet style valves** must be removed from inside which requires pump disassembly.
- **Built-in plastic poppet style valves with a stem through the top** may be removed from discharge head by pulling on the stem with pliers.



3.0 WIRE SIZING, SPLICING and POWER SUPPLY

Always follow the National Electric Code (N.E.C.), Canadian Electrical Code, and any state, provincial, or local codes.

We suggest using only copper wire. Size wire from the charts found in the Technical Data section of this manual, MAID manual, or an N.E.C. (National Electric Code) code book. If discrepancies exist the N.E.C. book takes precedence over a manufacturer's recommendations.

3.1 Splicing Wire to Motor Leads

When the drop cable must be spliced or connected to the motor lead, it is necessary that the splice be watertight. The splice can be done with heat shrink kits or waterproof tape.

A. Heat Shrink Splice Instructions

To use a typical heat shrink kit: strip ½" from the motor wires and drop cable wires; it is best to stagger the splices. Place the heat shrink tubes on the wires. Place the crimps on the wires and crimp the ends. Slide the

heat shrink tubes over the crimps and heat from the center outward. The sealant and adhesive will ooze out the ends when the tube shrinks. The tube, crimps, sealant, and adhesive create a very strong, watertight seal.

B. Taped Splice Instructions

- A) Strip individual conductor of insulation only as far as necessary to provide room for a stake type connector. Tubular connectors of the staked type are preferred. If connector O.D. is not as large as cable insulation, build-up with rubber electrical tape.
- B) Tape individual joints with rubber electrical tape, using two layers; the first extending two inches beyond each end of the conductor insulation end, the second layer two inches beyond the ends of the first layer. Wrap tightly, eliminating air spaces as much as possible.
- C) Tape over the rubber electrical tape with #33 Scotch electrical tape, or equivalent, using two layers as in step "B" and making each layer overlap the end of the preceding layer by at least two inches.

In the case of a cable with three conductors encased in a single outer sheath, tape individual conductors as described, staggering joints.

Total thickness of tape should be no less than the thickness of the conductor insulation.



4.0 WIRING

THE CONTROLS and SWITCH

4.1 Mounting the Motor Control Box

Single phase 3-wire control boxes meet U.L. requirements for Type 3R enclosures. They are suitable for vertical mounting in indoor and outdoor locations. They will operate at temperatures between 14°F (-10°C) and 122°F (50°C). Select a shaded, dry place to mount the box. Insure that there is enough clearance for the cover to be removed.

4.2 Verify Voltage and Turn Supply Power Off

Insure that your motor voltage and power supply voltage are the same.

Place the circuit breaker or disconnect switch in the OFF position to prevent accidentally starting the pump before you are ready.

Three-phase starter coils are very voltage sensitive; always verify actual supply voltage with a voltmeter.

High or low voltage, greater than $\pm 10\%$, will damage motors and controls and is not covered under warranty.

4.3 Connecting Motor Leads to Motor Control Box, Pressure Switch or Starter

Caution Do not power the unit or run the pump until all electrical and plumbing connections are completed. Verify that the disconnect or breaker is OFF before connecting the pressure switch line leads

to the power supply. Follow all local and national codes. Use a disconnect where required by code.



A. Three-Wire Single Phase Motor

Connect the color coded motor leads to the motor control box terminals - Y (yellow), R (red), and B (black); and the Green or bare wire to the green ground screw.

Connect wires between the Load terminals on the pressure switch and control box terminals L1 and L2. Run a ground wire between the switch ground and the control box ground. See *Figure 4 or 5*.

B. Two-Wire Single Phase Motor

Connect the black motor leads to the Load terminals on the pressure switch and the green or bare ground wire to the green ground screw. CentriPro 2-wire motors will not work with Franklin Electric PumpTec. Use a PumpSaver. See *Figure 3*.

C. Three phase motors

Connect the motor leads to T1, T2, and T3 on the 3 phase starter. Connect the ground wire to the ground screw in the starter box. Follow starter manufacturers instructions for connecting pressure switch or see *Figure 6*.

4.4 Connect To Power Supply



Complete the wiring by making the connection from the single phase pressure switch Line terminals to the circuit breaker panel or disconnect where used.

Three phase - make the connections between L1, L2, L3, and ground on the starter to the disconnect switch and then to the circuit breaker panel.

Three phase installations must be checked for motor rotation and phase unbalance. To reverse motor rotation, switch (reverse) any two leads. See the instructions for checking three phase unbalance in section 4.6. Failure to check phase unbalance can cause premature motor failure

and nuisance overload tripping. If using a generator, see Technical Data for generators.

4.5 Three Phase Overload Protection

Use only Class 10, quick-trip overload protection on three-phase submersible motors. See Definite Purpose Starters in this manual.

Call the pump manufacturer's Customer Service group for selection assistance.

4.6 Three Phase Power Unbalance

A full three phase supply consisting of three individual transformers or one three phase transformer is recommended. "Open" delta or wye connections using only two transformers can be used, but are more likely to cause poor performance, overload tripping or early motor failure due to current unbalance.

Check the current in each of the three motor leads and calculate the current unbalance as explained below.

If the current unbalance is 2% or less, leave the leads as connected.

If the current unbalance is more than 2%, current readings should be checked on each leg using each of the three possible hook-ups. Roll the motor leads across the starter in the same direction to prevent motor reversal.

To calculate percent of current unbalance:

- A. Add the three line amp values together.
- B. Divide the sum by three, yielding average current.
- C. Pick the amp value which is furthest from the average current (either high or low).
- D. Determine the difference between this amp value (furthest from average) and the average.
- E. Divide the difference by the average.
Multiply the result by 100 to determine percent of unbalance.

| Starter Terminals | Hookup 1 | | | Hookup 2 | | | Hookup 3 | | |
|-------------------|---------------|---------------|---------------|---------------|---------------|---------------|---------------|---------------|---------------|
| | L1 | L2 | L3 | L1 | L2 | L3 | L1 | L2 | L3 |
| | $\frac{1}{T}$ | $\frac{1}{T}$ | $\frac{1}{T}$ | $\frac{1}{T}$ | $\frac{1}{T}$ | $\frac{1}{T}$ | $\frac{1}{T}$ | $\frac{1}{T}$ | $\frac{1}{T}$ |
| Motor Leads | R | B | Y | Y | R | B | B | Y | R |
| | T3 | T1 | T2 | T2 | T3 | T1 | T1 | T2 | T3 |

Example:

| | | |
|--------------------|--------------------|--------------------|
| T3-R = 51 amps | T2-Y = 50 amps | T1-B = 50 amps |
| T1-B = 46 amps | T3-R = 48 amps | T2-Y = 49 amps |
| T2-Y = 53 amps | T1-B = 52 amps | T3-R = 51 amps |
| Total = 150 amps | Total = 150 amps | Total = 150 amps |
| ÷ 3 = 50 amps | ÷ 3 = 50 amps | ÷ 3 = 50 amps |
| - 46 = 4 amps | - 48 = 2 amps | - 49 = 1 amps |
| 4 ÷ 50 = .08 or 8% | 2 ÷ 50 = .04 or 4% | 1 ÷ 50 = .02 or 2% |

Current unbalance should not exceed 5%. If the unbalance cannot be corrected by rolling leads, the source of the unbalance must be located and corrected. If, on the three possible hookups, the leg farthest from the average stays on the same power lead, most of the unbalance is coming from the power source.

Contact your local power company to resolve the imbalance.

5.0 STARTING THE PUMP



5.1 Install a Valve and Run the Pump To Clear the Water

On a new well - Install a ball or globe valve on the pump discharge line and with the valve $\frac{1}{2}$ open, pump the well until the water begins to run clear. Open the valve slowly to check flow and when the water runs clear turn the pump Power Off.

Remove the ball or globe valve and connect the pump discharge to the house plumbing, pressure tank and switch. Turn Power On. Run a few cycles through the tank to rinse it out and to verify proper pump and switch operation. Use this time to check all fittings for leaks.

CAUTION: If the well has a high static level, please see next section for important pump protection information.



5.2 Throttling A High Static Level Well To Prevent Upthrust

Any well with a high static water level may allow the pump to operate off the curve to the right or outside the "Recommended Range" shown on the pump curve. We recommend using a "Dole" flow restrictor or throttling with a ball valve to prevent upthrust damage to the pump and motor. The maximum flow must be restricted to be within the pumps recommended operating range. If you use a ball valve, set it, remove the handle, tape the handle to the pipe, and tag the valve with a note saying, "Do not open this valve or pump may be damaged". The easiest way to "set" the flow is to fill a 5 gallon bucket and time how long it takes to produce 5 gallons. Calculate the flow in gpm based on this value. As the water level drops in the well the flow will be reduced due to increased head and the valve will not interfere with performance.

6.0 PAPERWORK and IOM

Please give this filled-in IOM and your business card to the owner.

A sticker with your name and phone number on the tank or control box is a great sales tool for future business!

We now provide an extra pump label which you can affix to the IOM, put on a 3-wire control box or locate near the tank and pressure switch for future pump identification.

GENERATION II - 2-WIRE, 4" SINGLE PHASE ELECTRICAL DATA, 60 HERTZ, 3450 RPM

| Type | CentriPro Order No. | HP | KW | Volts | SF | Full Load | | Service Factor | | Locked Rotor Amps | Winding Resistance | KVA Code |
|--------------|---------------------|------|------|-------|-----|-----------|-------|----------------|-------|-------------------|--------------------|----------|
| | | | | | | Amps | Watts | Amps | Watts | | | |
| 2-Wire (PSC) | M05421 | 0.5 | 0.37 | 115 | 1.6 | 7.9 | 910 | 9.8 | 1120 | 28 | 1.4-2.0 | H |
| | M05422 | 0.5 | 0.37 | 230 | 1.6 | 4.0 | 845 | 4.7 | 1050 | 16 | 6.1-7.2 | J |
| | M07422 | 0.75 | 0.55 | 230 | 1.5 | 5.0 | 1130 | 6.2 | 1400 | 18 | 5.9-6.9 | F |
| | M10422 | 1.0 | 0.75 | 230 | 1.4 | 6.7 | 1500 | 8.1 | 1800 | 24 | 4.2-5.2 | F |
| | M15422 | 1.5 | 1.1 | 230 | 1.3 | 9.0 | 2000 | 10.4 | 2350 | 43 | 1.8-2.4 | H |

GENERATION II - 3-WIRE, 4" SINGLE PHASE ELECTRICAL DATA, 60 HERTZ, 3450 RPM

| Type | Order No. | HP | KW | Volts | SF | Full Load | | Service Factor | | Locked Rotor Amps | Winding Resistance | | Required Control Box ¹ |
|--|-----------|------|------|-------|----------------------------|-------------------------|----------------------------|-------------------------|-------|-------------------|--------------------|------------------------------|-----------------------------------|
| | | | | | | Amps | Watts | Amps | Watts | | Main (B-Y) | Start (R-Y) | |
| 3-Wire with Q.D. Cap. Start Box | M05411 | 0.5 | 0.37 | 115 | 1.6 | Y-8.8 B-8.8 R-0 | 675 | Y-10.9 B-10.9 R-0 | 980 | 44 | 1.0-1.4 | 2.5-3.1 | CB05411 |
| | M05412 | 0.5 | 0.37 | 230 | 1.6 | Y-5.3 B-5.3 R-0 | 740 | Y-6.1 B-6.1 R-0 | 1050 | 21 | 5.1-6.1 | 12.4-13.7 | CB05412 |
| | M07412 | 0.75 | 0.55 | | 1.5 | Y-6.6 B-6.6 R-0 | 970 | Y-7.8 B-7.8 R-0 | 1350 | 32 | 2.6-3.3 | 10.4-11.7 | CB07412 |
| | M10412 | 1.0 | 0.75 | | 1.4 | Y-8.1 B-8.1 R-0 | 1215 | Y-9.4 B-9.4 R-0 | 1620 | 41 | 2.0-2.6 | 9.3-10.4 | CB10412 |
| 3-Wire with CSCR (CR) or Magnetic Contactor (MC) Control Box | M05412 | 0.5 | 0.37 | | 1.6 | Y-4.2 B-4.1 R-1.8 | 715 | Y-4.8 B-4.3 R-1.8 | 960 | 21 | 1.0-1.4 | 2.5-3.1 | CB05412CR |
| | M07412 | 0.75 | 0.55 | 1.5 | Y-4.8 B-4.4 R-2.5 | 940 | Y-6.0 B-4.9 R-2.3 | 1270 | 32 | 5.1-6.1 | 12.4-13.7 | CB07412CR | |
| | M10412 | 1.0 | 0.75 | 1.4 | Y-6.1 B-5.2 R-2.7 | 1165 | Y-7.3 B-5.8 R-2.6 | 1540 | 41 | 2.6-3.3 | 10.4-11.7 | CB10412CR | |
| | M15412 | 1.5 | 1.1 | 1.3 | Y-9.1 B-8.2 R-2.0 | 1660 | Y-10.9 B-9.4 R-1.9 | 2130 | 49 | 2.0-2.6 | 9.3-10.4 | CB15412CR or CB15412MC | |
| | M20412 | 2 | 1.5 | 1.25 | Y-9.9 B-9.1 R-2.6 | 2170 | Y-12.2 B-11.7 R-2.6 | 2660 | 49 | 1.6-2.2 | 10.8-12.0 | CB20412CR or CB20412MC | |
| | M30412 | 3 | 2.2 | 1.15 | Y-14.3 B-12.0 R-5.7 | 3170 | Y-16.5 B-13.9 R-5.6 | 3620 | 76 | 1.1-1.4 | 2.0-2.5 | CB30412CR or CB30412MC | |
| | M50412 | 5 | 3.7 | 1.15 | Y-24.0 B-19.1 R-10.2 | 5300 | Y-27.0 B-22.0 R-10.0 | 6030 | 101 | .62-.76 | 1.36-1.66 | CB50412CR or CB50412MC | |

¹ A CSCR control box with a CR suffix can be replaced by a Magnetic Contactor model ending in MC.

4" PREMIUM MOTORS - 2-WIRE SINGLE PHASE

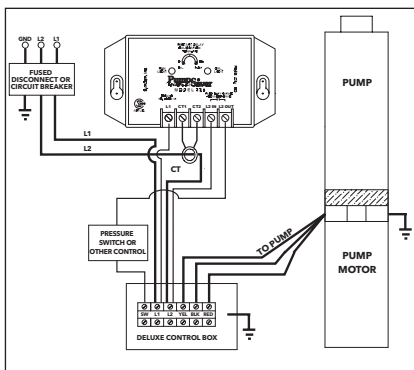
(All Generations)

| Motor Lead Lengths - Faradyne 2 Wire Motors - Based on Service Factor Amps, 30° C Ambient and 5% Voltage Drop | | | | | | | | | | | | | | | |
|--|----|------|-----|------|-----|-----|------|------|------|------|------|-------|-------|------|------|
| Motor Rating | | | | | | | | | | | | | | | |
| Volts | HP | kW | FLA | SFA | 14 | 12 | 10 | 8 | 6 | 4 | 2 | 1/0 | 2/0 | 3/0 | 4/0 |
| 115 | ½ | 0.37 | 8.1 | 10.2 | 107 | 171 | 273 | 432 | 672 | 1071 | 1700 | 2703 | 3411 | 4305 | 5424 |
| 230 | ½ | 0.37 | 4.3 | 4.8 | 457 | 726 | 1158 | 1835 | 2855 | 4551 | 7225 | 11489 | | | |
| | ¾ | 0.55 | 5.0 | 6.4 | 342 | 545 | 869 | 1376 | 2141 | 3413 | 5419 | 8617 | 10871 | | |
| | 1 | 0.75 | 6.7 | 8.2 | 241 | 383 | 611 | 968 | 1506 | 2400 | 3811 | 6060 | 7646 | 9652 | |
| | 1½ | 1.1 | 9.1 | 10.5 | 199 | 317 | 505 | 801 | 1246 | 1986 | 3153 | 5013 | 6325 | 7985 | |

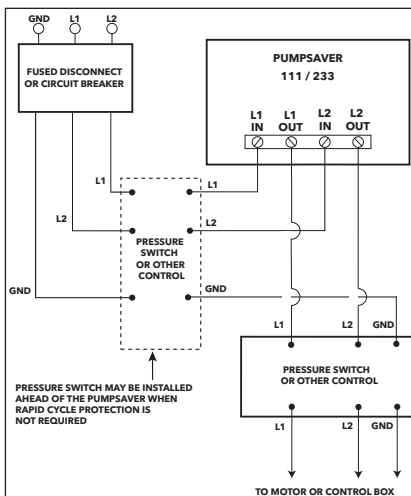
GENERATION II - 3-WIRE, 4" 1Ø, RECOMMENDED WIRE LENGTHS

| CentriPro 3-Wire Motors - Recommended Motor Lead Lengths Based on Service Factor Amps, 30° C Ambient and 5% Voltage Drop | | | | | | | | | | | | | | | |
|---|----|------|------|---|-----|-----|-----|------|------|------|------|------|------|------|------|
| Motor Rating | | | | 60° C and 75° C Insulation - AWG Copper Wire Size | | | | | | | | | | | |
| Volts | HP | kW | FLA | SFA | 14 | 12 | 10 | 8 | 6 | 4 | 2 | 1/0 | 2/0 | 3/0 | 4/0 |
| 115 | ½ | 0.37 | 8.8 | 10.9 | 101 | 160 | 255 | 404 | 629 | 1002 | 1591 | 2530 | 3192 | 4029 | 5076 |
| 230 | ½ | 0.37 | 5.3 | 6.1 | 359 | 571 | 912 | 1444 | 2246 | 3581 | 5685 | 9040 | - | - | - |
| | ¾ | 0.55 | 6.6 | 7.8 | 281 | 447 | 713 | 1129 | 1757 | 2800 | 4446 | 7070 | 8920 | - | - |
| | 1 | 0.75 | 8.1 | 9.4 | 233 | 371 | 592 | 937 | 1458 | 2324 | 3689 | 5867 | 7402 | - | - |
| | 1½ | 1.1 | 9.1 | 10.9 | 201 | 320 | 510 | 808 | 1257 | 2004 | 3182 | 5059 | 6383 | - | - |
| | 2 | 1.5 | 9.9 | 12.2 | 180 | 286 | 456 | 722 | 1123 | 1790 | 2843 | 4520 | 5703 | - | - |
| | 3 | 2.2 | 14.3 | 16.5 | 133 | 211 | 337 | 534 | 830 | 1324 | 2102 | 3342 | 4217 | 5323 | - |
| | 5 | 3.7 | 24 | 27 | - | - | 206 | 326 | 507 | 809 | 1284 | 2042 | 2577 | 3253 | - |

PUMPSAVER 235



PUMPSAVER 111 / 233



CENTRIPRO THREE PHASE, 4", MOTOR DATA

EFFICIENCY, THRUST RATING, FUSE/CIRCUIT BREAKER, KVA CODES

| Model # | HP | Volts | Efficiency % | | Thrust Rating | KVA Code | Standard Fuse | | DE-TD Fuse | | Circuit Breaker | |
|---------|------|-------|--------------|--------|---------------|----------|---------------------|----------------------|---------------------|----------------------|---------------------|----------------------|
| | | | F.L. | S.F. | | | Meets NEC based FLA | Max. Value based SFA | Meets NEC based FLA | Max. Value based SFA | Meets NEC based FLA | Max. Value based SFA |
| M05430 | 0.5 | 200 | 62 | 68 | 700 # | R | 10 | 15 | 6 | 10 | 10 | 10 |
| M07430 | 0.75 | | 69 | 74 | | R | 15 | 15 | 10 | 15 | 10 | 15 |
| M10430 | 1 | | 66 | 70 | | M | 15 | 20 | 10 | 10 | 10 | 15 |
| M15430 | 1.5 | | 72 | 74 | | L | 20 | 25 | 10 | 15 | 15 | 20 |
| M20430 | 2 | | 74 | 75 | 900 # | K | 25 | 30 | 15 | 20 | 20 | 25 |
| M30430 | 3 | | 77 | 77 | | K | 35 | 40 | 20 | 25 | 30 | 35 |
| M50430 | 5 | | 76 | 76 | 1500 # | J | 60 | 70 | 35 | 40 | 50 | 60 |
| M75430 | 7.5 | | 74 | 74 | | J | 80 | 90 | 50 | 60 | 70 | 80 |
| M05432 | 0.5 | 230 | 61 | 68 | 700 # | R | 6 | 10 | 6 | 6 | 6 | 10 |
| M07432 | 0.75 | | 66 | 71 | | R | 6 | 15 | 6 | 10 | 6 | 10 |
| M10432 | 1 | | 69 | 72 | | M | 10 | 15 | 6 | 10 | 10 | 15 |
| M15432 | 1.5 | | 75 | 76 | | K | 15 | 20 | 10 | 15 | 15 | 20 |
| M20432 | 2 | | 75 | 75 | 900 # | K | 15 | 25 | 15 | 15 | 20 | 20 |
| M30432 | 3 | | 77 | 77 | | J | 25 | 35 | 15 | 20 | 25 | 30 |
| M50432 | 5 | | 76 | 76 | 1500 # | J | 45 | 60 | 30 | 35 | 40 | 45 |
| M75432 | 7.5 | | 75 | 75 | | J | 70 | 80 | 45 | 50 | 60 | 70 |
| M05434 | 0.5 | 460 | 61 | 68 | 700 # | R | 3 | 6 | 3 | 3 | 3 | 6 |
| M07434 | 0.75 | | 69 | 73 | | R | 3 | 10 | 6 | 6 | 3 | 6 |
| M10434 | 1 | | 65 | 69 | | M | 6 | 10 | 3 | 6 | 6 | 10 |
| M15434 | 1.5 | | 72 | 73 | | K | 10 | 10 | 6 | 6 | 6 | 10 |
| M20434 | 2 | | 74 | 75 | 900 # | L | 15 | 15 | 6 | 10 | 10 | 10 |
| M30434 | 3 | | 76 | 77 | | J | 15 | 20 | 10 | 10 | 15 | 15 |
| M50434 | 5 | | 77 | 77 | 1500 # | J | 25 | 30 | 15 | 20 | 15 | 25 |
| M75434 | 7.5 | | 76 | 76 | | L | 40 | 50 | 25 | 30 | 30 | 35 |
| M100434 | 10 | | 79 | 80 | | K | 45 | 60 | 25 | 35 | 35 | 45 |
| M15437 | 1.5 | | 73 | 74 | | 700 # | J | 6 | 10 | 3 | 6 | 6 |
| M20437 | 2 | 78 | 78 | 900 # | M | 10 | 10 | 6 | 6 | 10 | 10 | |
| M30437 | 3 | 78 | 78 | | J | 10 | 15 | 10 | 10 | 10 | 15 | |
| M50437 | 5 | 74 | 75 | 1500 # | M | 20 | 25 | 15 | 15 | 20 | 20 | |
| M75437 | 7.5 | 77 | 77 | | J | 25 | 35 | 20 | 20 | 25 | 30 | |

THREE PHASE, 4" MOTOR DATA

Electrical Data, 60 Hz, 3450 RPM

| Model # | HP | kW | Volts | SF | Full Load | | Service Factor | | Locked Rotor Amps | Line - Line Resistance |
|---------|------|------|-------|------|-----------|-------|----------------|-------|-------------------|------------------------|
| | | | | | Amps | Watts | Amps | Watts | | |
| M05430 | 0.5 | 0.37 | 200 | 1.6 | 2.9 | 600 | 3.4 | 870 | 22 | 4.1-5.2 |
| M07430 | 0.75 | 0.55 | | 1.5 | 3.8 | 812 | 4.5 | 1140 | 32 | 2.6-3.0 |
| M10430 | 1 | 0.75 | | 1.4 | 4.6 | 1150 | 5.5 | 1500 | 29 | 3.4-3.9 |
| M15430 | 1.5 | 1.1 | | 1.3 | 6.3 | 1560 | 7.2 | 1950 | 40 | 1.9-2.5 |
| M20430 | 2 | 1.5 | | 1.25 | 7.5 | 2015 | 8.8 | 2490 | 51 | 1.4-2.0 |
| M30430 | 3 | 2.2 | | 1.15 | 10.9 | 2890 | 12.0 | 3290 | 71 | 0.9-1.3 |
| M50430 | 5 | 3.7 | | 1.15 | 18.3 | 4850 | 20.2 | 5515 | 113 | 0.4-0.8 |
| M75430 | 7.5 | 5.5 | | 1.15 | 27.0 | 7600 | 30.0 | 8800 | 165 | 0.5-0.6 |
| M05432 | 0.5 | 0.37 | 230 | 1.6 | 2.4 | 610 | 2.9 | 880 | 17.3 | 5.7-7.2 |
| M07432 | 0.75 | 0.55 | | 1.5 | 3.3 | 850 | 3.9 | 1185 | 27 | 3.3-4.3 |
| M10432 | 1 | 0.75 | | 1.4 | 4.0 | 1090 | 4.7 | 1450 | 26.1 | 4.1-5.1 |
| M15432 | 1.5 | 1.1 | | 1.3 | 5.2 | 1490 | 6.1 | 1930 | 32.4 | 2.8-3.4 |
| M20432 | 2 | 1.5 | | 1.25 | 6.5 | 1990 | 7.6 | 2450 | 44 | 1.8-2.4 |
| M30432 | 3 | 2.2 | | 1.15 | 9.2 | 2880 | 10.1 | 3280 | 58.9 | 1.3-1.7 |
| M50432 | 5 | 3.7 | | 1.15 | 15.7 | 4925 | 17.5 | 5650 | 93 | .85-1.25 |
| M75432 | 7.5 | 5.5 | | 1.15 | 24 | 7480 | 26.4 | 8570 | 140 | .55-.85 |
| M05434 | 0.5 | 0.37 | 460 | 1.6 | 1.3 | 610 | 1.5 | 875 | 9 | 23.6-26.1 |
| M07434 | 0.75 | 0.55 | | 1.5 | 1.7 | 820 | 2.0 | 1140 | 14 | 14.4-16.2 |
| M10434 | 1 | 0.75 | | 1.4 | 2.2 | 1145 | 2.5 | 1505 | 13 | 17.8-18.8 |
| M15434 | 1.5 | 1.1 | | 1.3 | 2.8 | 1560 | 3.2 | 1980 | 16.3 | 12.3-13.1 |
| M20434 | 2 | 1.5 | | 1.25 | 3.3 | 2018 | 3.8 | 2470 | 23 | 8.0-8.67 |
| M30434 | 3 | 2.2 | | 1.15 | 4.8 | 2920 | 5.3 | 3320 | 30 | 5.9-6.5 |
| M50434 | 5 | 3.7 | | 1.15 | 7.6 | 4810 | 8.5 | 5530 | 48 | 3.58-4.00 |
| M75434 | 7.5 | 5.5 | | 1.15 | 12.2 | 7400 | 13.5 | 8560 | 87 | 1.9-2.3 |
| M100434 | 10 | 7.5 | 1.15 | 15.6 | 9600 | 17.2 | 11000 | 110 | 1.8-2.2 | |
| M15437 | 1.5 | 1.1 | 575 | 1.3 | 2.0 | 1520 | 2.4 | 1950 | 11.5 | 19.8-20.6 |
| M20437 | 2 | 1.5 | | 1.25 | 2.7 | 1610 | 3.3 | 2400 | 21 | 9.4-9.7 |
| M30437 | 3 | 2.2 | | 1.15 | 3.7 | 2850 | 4.1 | 3240 | 21.1 | 9.4-9.7 |
| M50437 | 5 | 3.7 | | 1.15 | 7.0 | 5080 | 7.6 | 5750 | 55 | 3.6-4.2 |
| M75437 | 7.5 | 5.5 | | 1.15 | 9.1 | 7260 | 10.0 | 8310 | 55 | 3.6-4.2 |

THREE PHASE, 4" MOTOR WIRE CHART

| Motor Lead Lengths - 3-Phase Motors - Based on Service Factor Amps, 30° C Ambient and 5% Voltage Drop | | | | | | | | | | | | | | | | | |
|--|-----|-----|------|------|---|------|------|------|------|------|------|------|------|------|------|------|-------|
| Motor Rating | | | | | 60° C and 75° C Insulation - AWG Copper Wire Size | | | | | | | | | | | | |
| Volts | HP | kW | FLA | SFA | 14 | 12 | 10 | 8 | 6 | 4 | 3 | 2 | 1 | 1/0 | 2/0 | 3/0 | 4/0 |
| 200 | .5 | .37 | 3.8 | 2.9 | 657 | 1045 | 1667 | 2641 | 4109 | | | | | | | | |
| | .75 | .55 | 3.8 | 4.5 | 423 | 674 | 1074 | 1702 | 2648 | | | | | | | | |
| | 1 | .75 | 4.6 | 5.5 | 346 | 551 | 879 | 1392 | 2166 | 3454 | 4342 | | | | | | |
| | 1.5 | 1.1 | 6.3 | 7.2 | 265 | 421 | 672 | 1064 | 1655 | 2638 | 3317 | | | | | | |
| | 2 | 1.5 | 7.5 | 8.8 | 217 | 344 | 549 | 870 | 1354 | 2158 | 2714 | 3427 | 4317 | 5449 | | | |
| | 3 | 2.2 | 10.9 | 12.0 | 159 | 253 | 403 | 638 | 993 | 1583 | 1990 | 2513 | 3166 | 3996 | | | |
| | 5 | 3.7 | 18.3 | 20.2 | 94 | 150 | 239 | 379 | 590 | 940 | 1182 | 1493 | 1881 | 2374 | 2995 | 3781 | 4764 |
| | 7.5 | 5.5 | 27.0 | 30.0 | 64 | 101 | 161 | 255 | 397 | 633 | 796 | 1005 | 1266 | 1598 | 2017 | 2546 | 3207 |
| 230 | .5 | .37 | 2.4 | 2.9 | 756 | 1202 | 1917 | 3037 | 4725 | 7532 | 9469 | | | | | | |
| | .75 | .55 | 3.3 | 3.9 | 562 | 894 | 1426 | 2258 | 3513 | 5601 | 7041 | 8892 | | | | | |
| | 1 | .75 | 4 | 4.7 | 466 | 742 | 1183 | 1874 | 2915 | 4648 | 5843 | 7379 | | | | | |
| | 1.5 | 1.1 | 5.2 | 6.1 | 359 | 571 | 912 | 1444 | 2246 | 3581 | 4502 | 5685 | 7162 | 9040 | | | |
| | 2 | 1.5 | 6.5 | 7.6 | 288 | 459 | 732 | 1159 | 1803 | 2874 | 3613 | 4563 | 5748 | 7256 | 9155 | | |
| | 3 | 2.2 | 9.2 | 10.1 | 217 | 345 | 551 | 872 | 1357 | 2163 | 2719 | 3434 | 4326 | 5460 | 6889 | 8696 | 10956 |
| | 5 | 3.7 | 15.7 | 17.5 | | | 318 | 503 | 783 | 1248 | 1569 | 1982 | 2496 | 3151 | 3976 | 5019 | 6323 |
| | 7.5 | 5.5 | 24 | 26.4 | | | | 334 | 519 | 827 | 1040 | 1314 | 1655 | 2089 | 2635 | 3327 | 4192 |
| 460 | .5 | .37 | 1.3 | 1.5 | 2922 | 4648 | 7414 | | | | | | | | | | |
| | .75 | .55 | 1.7 | 2.0 | 2191 | 3486 | 5560 | 8806 | | | | | | | | | |
| | 1 | .75 | 2.2 | 2.5 | 1753 | 2789 | 4448 | 7045 | | | | | | | | | |
| | 1.5 | 1.1 | 2.8 | 3.2 | 1370 | 2179 | 3475 | 5504 | | | | | | | | | |
| | 2 | 1.5 | 3.3 | 3.8 | 1153 | 1835 | 2926 | 4635 | 7212 | | | | | | | | |
| | 3 | 2.2 | 4.8 | 5.3 | 827 | 1315 | 2098 | 3323 | 5171 | | | | | | | | |
| | 5 | 3.7 | 7.6 | 8.5 | 516 | 820 | 1308 | 2072 | 3224 | 5140 | | | | | | | |
| | 7.5 | 5.5 | 12.2 | 13.5 | 325 | 516 | 824 | 1305 | 2030 | 3236 | 4068 | 5138 | 6472 | | | | |
| 575 | 10 | 7.5 | | | | | | | | | | | | | | | |
| | 1.5 | 1.1 | 2.0 | 2.4 | 2283 | 3631 | 5792 | | | | | | | | | | |
| | 2 | 1.5 | 2.7 | 3.3 | 1660 | 2641 | 4212 | 6671 | | | | | | | | | |
| | 3 | 2.2 | 3.7 | 4.1 | 1336 | 2126 | 3390 | 5370 | | | | | | | | | |
| | 5 | 3.7 | 7.0 | 7.6 | 721 | 1147 | 1829 | 2897 | 4507 | | | | | | | | |
| 7.5 | 5.5 | 9.1 | 10.0 | 548 | 871 | 1390 | 2202 | 3426 | | | | | | | | | |

Technical Data

MOTOR INSULATION RESISTANCE READINGS

Normal Ohm/Megohm readings, ALL motors, between all leads and ground

⚠ CAUTION To perform insulation resistance test, open breaker and disconnect all leads from QD control box or pressure switch. Connect one ohmmeter lead to any motor lead and one to metal drop pipe or a good ground. **R x 100K Scale**

| Condition of Motor and Leads | OHM Value | Megohm Value |
|--|----------------------|--------------|
| New motor, without power cable | 20,000,000 (or more) | 20.0 |
| Used motor, which can be reinstalled in well | 10,000,000 (or more) | 10.0 |
| Motor in well - Readings are power cable plus motor | | |
| New motor | 2,000,000 (or more) | 2.0 |
| Motor in reasonably good condition | 500,000 to 2,000,000 | 0.5 - 2.0 |
| Motor which may be damaged or have damaged power cable <i>Do not pull motor for these reasons</i> | 20,000 to 500,000 | 0.02 - 0.5 |
| Motor definitely damaged or with damaged power cable <i>Pull motor and repair</i> | 10,000 to 20,000 | 0.01 - 0.02 |
| Failed motor or power cable <i>Pull motor and repair</i> | Less than 10,000 | 0 - 0.01 |

Generator Operation

⚠ WARNING



Hazardous voltage can shock, burn or cause death.

FAILURE TO USE A MANUAL OR AUTOMATIC TRANSFER SWITCH WHEN GENERATOR IS USED AS STANDBY OR BACKUP CAN CAUSE SHOCK, BURNS OR DEATH. FOLLOW THE GENERATOR MANUFACTURER'S INSTRUCTIONS CAREFULLY. TWO WIRE DATA IS ONLY FOR PSC TYPE MOTORS, SPLIT PHASE 2 WIRE SHOULD BE 50% LARGER THAN 3 WIRE GENERATOR RATING.

| Motor | HP | Minimum Generator Rating | | | |
|--------------------------|-----|--------------------------|------|----------------------|------|
| | | Externally Regulated | | Internally Regulated | |
| | | KW | KVA | KW | KVA |
| 2 Wire 1Ø PSC Only | .5 | 2.5 | 3.1 | 1.8 | 2.2 |
| | .75 | 3.5 | 4.4 | 2.5 | 3.1 |
| | 1 | 5 | 6.3 | 3.2 | 4 |
| | 1.5 | 6 | 7.5 | 4 | 5 |
| 3 Wire 1Ø or 3Ø | .5 | 2 | 2.5 | 1.5 | 1.9 |
| | .75 | 3 | 3.8 | 2 | 2.5 |
| | 1 | 4 | 5 | 2.5 | 3.2 |
| | 1.5 | 5 | 6.3 | 3 | 3.8 |
| | 2 | 7.5 | 9.4 | 4 | 5 |
| | 3 | 10 | 12.5 | 5 | 6.3 |
| | 5 | 15 | 18.8 | 7.5 | 9.4 |
| | 7.5 | 20 | 25 | 10 | 12.5 |
| 10 | 30 | 37.5 | 15 | 18.8 | |

Wiring Diagrams – Esquemas de conexión – Schémas de câblage

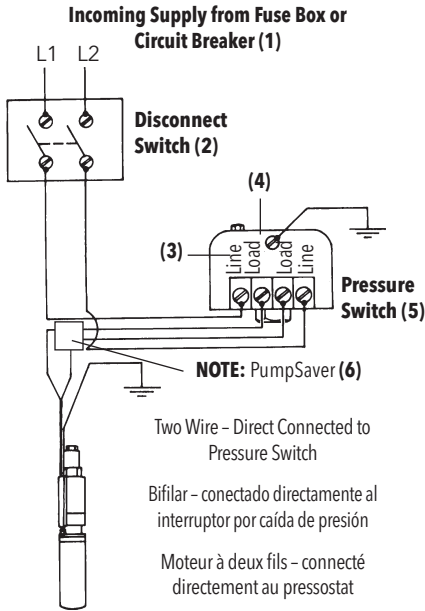


Figure (Figura) 3

1. Suministro de entrada de la caja de fusibles o del cortacircuitos
2. Interruptor de desconexión
3. Línea
4. Carga
5. Interruptor por caída de presión
6. NOTA: PumpSaver
7. Caja de control trifilar
8. Rojo
9. Amarillo
10. Negro

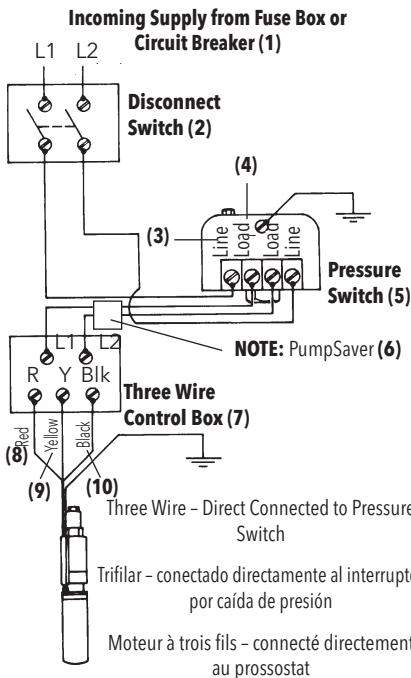


Figure (Figura) 4

1. Courant d'entrée provenant de la boîte à fusibles ou du disjoncteur
2. Sectionneur
3. Ligne
4. Charge
5. Pressostat
6. Protection PumpSaver
7. Boîte de commande à trois fils
8. Rouge
9. Jaune
10. Noir

Wiring Diagrams – Esquemas de conexión – Schémas de câblage

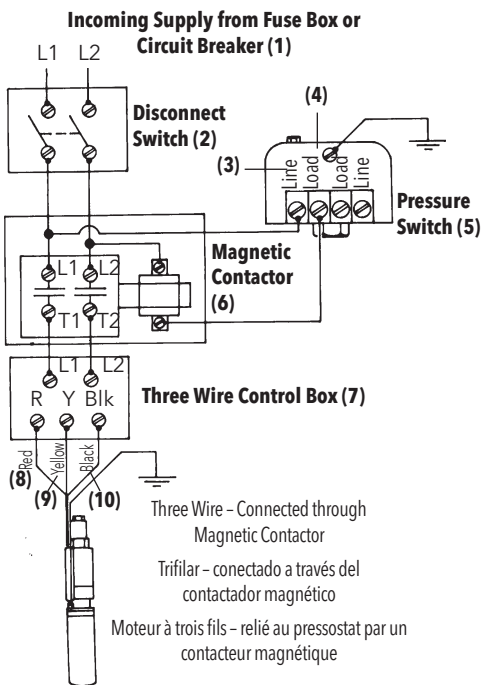


Figure (Figura) 5

1. Suministro de entrada de la caja de fusibles o del cortacircuitos
2. Interruptor de desconexión
3. Línea
4. Carga
5. Interruptor por caída de presión
6. Contactador magnético
7. Caja de control trifilar
8. Rojo
9. Amarillo
10. Negro
11. Calentadores
12. Arrancador magnético con compensación ambiental con calentadores de disparo rápido

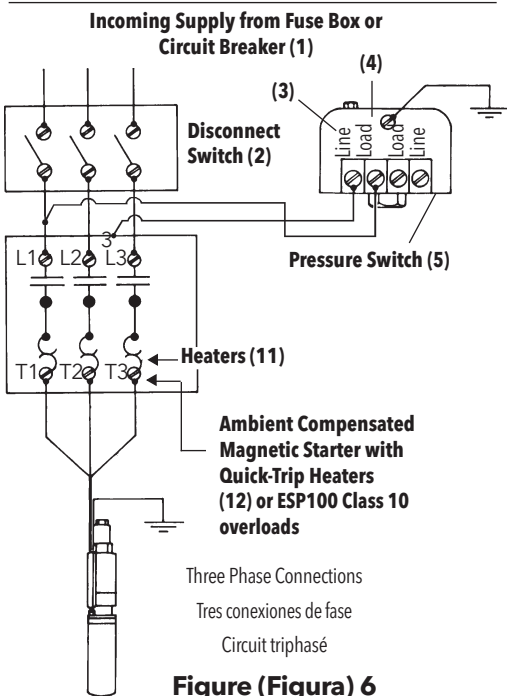


Figure (Figura) 6

1. Courant d'entrée provenant de la boîte à fusibles ou du disjoncteur
2. Sectionneur
3. Ligne
4. Charge
5. Pressostat
6. Contacteur magnétique
7. Boîte de commande à trois fils
8. Rouge
9. Jaune
10. Noir
11. Dispositifs de protection contre la surcharge (DPS)
12. Démarreur magnétique compensé (température ambiante) avec DPS à déclenchement rapide rapide ou limiteurs de surcharge ESP100 de classe 10

DEFINITE PURPOSE THREE PHASE STARTERS WITH ADJUSTABLE OVERLOADS

| CentriPro Order No. | Eaton Reference Number | Maximum Amps | Supply Voltage | O.L. Relay | Overload Range | Maximum LRA | Typical HP Range |
|---------------------|------------------------|--------------|----------------|------------|----------------|-------------|------------------|
| DP25D2 | A27CGC25BA2P4 | 25 | 208-230 | D | 1.6-2.4 | 150 | .5 - 5 |
| DP25E2 | A27CGC25BA004 | | | E | 2.4-4 | | |
| DP25F2 | A27CGC25BA006 | | | F | 4-6 | | |
| DP25G2 | A27CGC25BA010 | | | G | 6-10 | | |
| DP25H2 | A27CGC25BA016 | | | H | 10-16 | | |
| DP25J2 | A27CGC25BA024 | | | J | 16-24 | | |
| DP25C4 | A27CGC25CA1P6 | 25 | 460 | C | 1-1.6 | 125 | .5 - 10 |
| DP25D4 | A27CGC25CA2P4 | | | D | 1.6-2.4 | | |
| DP25E4 | A27CGC25CA004 | | | E | 2.4-4 | | |
| DP25F4 | A27CGC25CA006 | | | F | 4-6 | | |
| DP25G4 | A27CGC25CA010 | | | G | 6-10 | | |
| DP25H4 | A27CGC25CA016 | | | H | 10-16 | | |
| DP25J4 | A27CGC25CA024 | J | 16-24 | | | | |
| DP25E5 | A27CGC25DA004 | 25 | 575 | E | 2.4-4 | 100 | 1.5 - 10 |
| DP25F5 | A27CGC25DA006 | | | F | 4-6 | | |
| DP25G5 | A27CGC25DA010 | | | G | 6-10 | | |
| DP25H5 | A27CGC25DA016 | | | H | 10-16 | | |
| DP30L2 | A27CGE30BA010 | 30 | 208-230 | L | 6-10 | 180 | 1.5 - 7.5 |
| DP30M2 | A27CGE30BA016 | | | M | 10-16 | | |
| DP30N2 | A27CGE30BA024 | | | N | 16-24 | | |
| DP30P2 | A27CGE30BA040 | | | P | 24-40 | | |
| DP30L4 | A27CGE30CA010 | 30 | 460 | L | 6-10 | 150 | 5 - 20 |
| DP30M4 | A27CGE30CA016 | | | M | 10-16 | | |
| DP30N4 | A27CGE30CA024 | | | N | 16-24 | | |
| DP30P4 | A27CGE30CA040 | | | P | 24-40 | | |
| DP30L5 | A27CGE30DA010 | 30 | 575 | L | 6-10 | 120 | 5 - 15 |
| DP30M5 | A27CGE30DA016 | | | M | 10-16 | | |
| DP30N5 | A27CGE30DA024 | | | N | 16-24 | | |
| DP30P5 | A27CGE30DA040 | | | P | 24-40 | | |
| DP30R5 | A27CGE30DA057 | | | R | 40-57 | | |
| DP40L2 | A27CGE40BA010 | 40 | 208-230 | L | 6-10 | 240 | 1.5 - 10 |
| DP40M2 | A27CGE40BA016 | | | M | 10-16 | | |
| DP40N2 | A27CGE40BA024 | | | N | 16-24 | | |
| DP40P2 | A27CGE40BA040 | | | P | 24-40 | | |
| DP40L4 | A27CGE40CA010 | 40 | 460 | L | 6-10 | 200 | 5 - 20 |
| DP40M4 | A27CGE40CA016 | | | M | 10-16 | | |
| DP40N4 | A27CGE40CA024 | | | N | 16-24 | | |
| DP40P4 | A27CGE40CA040 | | | P | 24-40 | | |
| DP40L5 | A27CGE40DA010 | 40 | 575 | L | 6-10 | 160 | 5 - 20 |
| DP40M5 | A27CGE40DA016 | | | M | 10-16 | | |
| DP40N5 | A27CGE40DA024 | | | N | 16-24 | | |
| DP40P5 | A27CGE40DA040 | | | P | 24-40 | | |

Troubleshooting

⚠WARNING



Hazardous voltage can shock, burn or cause death.

DISCONNECT AND LOCKOUT ELECTRICAL POWER BEFORE ATTEMPTING ANY SERVICE. FAILURE TO DO SO CAN CAUSE SHOCK, BURNS OR DEATH.

| Symptom | Probable Cause | Recommended Action |
|--|--|---|
| PUMP MOTOR NOT RUNNING | 1. Motor thermal protector tripped a. Incorrect control box b. Incorrect or faulty electrical connections c. Faulty thermal protector d. Low voltage e. Ambient temperature of control box/starter too high f. Pump bound by foreign matter g. Inadequate submergence | 1. Allow motor to cool, thermal protector will automatically reset a - e. Have a qualified electrician inspect and repair, as required f. Pull pump, clean, adjust set depth as required g. Confirm adequate unit submergence in pumpage |
| | 2. Open circuit breaker or blown fuse | 2. Have a qualified electrician inspect and repair, as required |
| | 3. Power source inadequate for load | 3. Check supply or generator capacity |
| | 4. Power cable insulation damage | 4 - 5. Have a qualified electrician inspect and repair, as required |
| | 5. Faulty power cable splice | |
| LITTLE OR NO LIQUID DELIVERED BY PUMP | 1. Faulty or incorrectly installed check valve | 1. Inspect check valve, repair as required |
| | 2. Pump air bound | 2. Successively start and stop pump until flow is delivered |
| | 3. Lift too high for pump | 3. Review unit performance, check with dealer |
| | 4. Pump bound by foreign matter | 4. Pull pump, clean, adjust set depth as required |
| | 5. Pump not fully submerged | 5. Check well recovery, lower pump if possible |
| | 6. Well contains excessive amounts of air or gases | 6. If successive starts and stops does not remedy, well contains excessive air or gases |
| | 7. Excessive pump wear | 7. Pull pump and repair as required |
| | 8. Incorrect motor rotation - three phase only. | 8. Reverse any two motor electrical leads |



Bomba sumergible de 4 pulg.

INSTALACIÓN, OPERACIÓN Y MANUAL DEL MANTENIMIENTO

Información del propietario

Número de modelo de la bomba: _____

Número de serie de la bomba: _____

Número de modelo del motor: _____

Número de serie del motor: _____

Agente: _____

No. telefónico del agente: _____

Fecha de compra: _____

Fecha de instalación: _____

Voltios: _____

Amperios: _____

Índice

| <u>TEMA</u> | <u>PÁGINA</u> |
|---|----------------------|
| Instrucciones de seguridad..... | 25-26 |
| Dispositivos de protección de la bomba | 27 |
| Lista de verificación de la instalación | 27 |
| 1.0 Instalaciones típicas | 28 |
| 2.0 Tuberías y tanque | 29 |
| 3.0 Tamaño y empalme de alambres y fuente de alimentación | 31 |
| 4.0 Cómo conectar los controles y el interruptor..... | 32 |
| 5.0 Cómo arrancar la bomba | 35 |
| 6.0 Documentación y el manual de instrucciones (IOM) | 35 |
| Datos del motor monofásico CentriPro de 4" | 36 |
| Cuadros de tamaños de cable monofásico | 37 |
| Diagrama del PumpSaver..... | 37 |
| Datos del motor trifásico | 38-40 |
| Datos de resistencia y generador.... | 41 |
| Diagramas de cableado..... | 19-20 |
| Datos Técnicos | 41 |
| Arrancadores trifásicos | 42 |
| Identificación y resolución de problemas..... | 43 |
| Garantía Limitada del Consumidor | 67 |

INSTRUCCIONES DE SEGURIDAD

PARA EVITAR LESIONES PERSONALES GRAVES O AÚN FATALES Y SERIOS DAÑOS MATERIALES, LEA Y SIGA TODAS LAS INSTRUCCIONES DE SEGURIDAD EN EL MANUAL Y EN LA BOMBA.

ESTE MANUAL HA SIDO CREADO COMO UNA GUÍA PARA LA INSTALACIÓN Y OPERACIÓN DE ESTA UNIDAD Y SE DEBE CONSERVAR JUNTO A LA BOMBA.



Éste es un **SÍMBOLO DE ALERTA DE SEGURIDAD**. Cuando vea este símbolo en la bomba o en el manual, busque una de las siguientes palabras de señal y esté alerta a la probabilidad de lesiones personales o daños materiales.



PELIGRO Advierte los peligros que **CAUSARÁN** graves lesiones personales, la muerte o daños materiales mayores.



ADVERTENCIA Advierte los peligros que **PUEDEN** causar graves lesiones personales, la muerte o daños materiales mayores.



PRECAUCIÓN Advierte los peligros que **PUEDEN** causar lesiones personales o daños materiales.

AVISO: INDICA INSTRUCCIONES ESPECIALES QUE SON MUY IMPORTANTES Y QUE SE DEBEN SEGUIR DE RETROCESO DE DRENAJE; ESTOS SISTEMAS DEBEN UTILIZAR OTROS MEDIOS FRANKLIN ELECTRIC O EN UN MANUAL DEL CÓDIGO N.E.C. (CÓDIGO ELÉCTRICO NACIONAL DE LOS ESTADOS UNIDOS).

EXAMINE BIEN TODAS LAS INSTRUCCIONES Y ADVERTENCIAS ANTES DE REALIZAR CUALQUIER TRABAJO EN ESTA BOMBA.

MANTENGA TODAS LAS CALCOMANÍAS DE SEGURIDAD.

Aviso importante: Lea las instrucciones de seguridad antes de proseguir con el cableado.



Todo el trabajo eléctrico debe ser realizado por un técnico calificado. Siempre siga el Código Eléctrico Nacional (NEC) o el Código Eléctrico Canadiense, además de todos los códigos locales, estatales y provinciales. Las preguntas acerca del código deben ser dirigidas al inspector eléctrico local. Si se hace caso omiso a los códigos eléctricos y normas de seguridad de OSHA, se pueden producir lesiones personales o daños al equipo. Si se hace caso omiso a las instrucciones de instalación del fabricante, se puede producir electrochoque, peligro de incendio, lesiones personales o incluso la muerte, daños al equipo, rendimiento insatisfactorio y podría anularse la garantía del fabricante.



Las unidades estándar no fueron diseñadas para su uso en piscinas, cuerpos abiertos de agua, líquidos peligrosos o donde existan gases inflamables. El pozo debe contar con ventilación de acuerdo con los códigos locales. *Vea los boletines de catálogos de bombas específicos o la placa de nombre de la bomba para todas las listas de agencias.*



Desconecte y bloquee la corriente eléctrica antes de instalar o dar servicio a cualquier equipo eléctrico. Muchas bombas están equipadas con protección automática contra la sobrecarga térmica, la cual podría permitir que una bomba demasiado caliente re arranque inesperadamente.

**ADVERTENCIA**

Nunca presurice demasiado el tanque, las tuberías o el sistema a una presión superior a la clasificación de presión máxima del tanque. El hacerlo dañará el tanque, anula la garantía y puede crear un peligro grave.

**ADVERTENCIA**

Proteja a los tanques contra humedad y pulverización excesivas, ya que oxidarán al tanque y pueden crear un peligro. Vea las etiquetas de advertencia o el manual del tanque para más información.

**ADVERTENCIA**

No levante ni transporte ni cuelgue la bomba de los cables eléctricos. El daño a los cables eléctricos puede producir electrochoque, quemaduras o aún la muerte.

**ADVERTENCIA**

Use únicamente alambre trenzado de cobre para la bomba/motor y la conexión a tierra. El alambre de conexión a tierra debe ser al menos del mismo tamaño que los alambres de la fuente de alimentación. Los alambres deben codificarse con colores para facilitar el mantenimiento y la identificación y resolución de problemas.

**PELIGRO**

Instale los cables y la conexión a tierra de acuerdo con el Código Eléctrico Nacional de EE.UU. (NEC) o el Código Eléctrico Canadiense, además de los códigos locales, estatales y provinciales.

**ADVERTENCIA**

Instale un desconectador de todos los circuitos donde el código lo requiera.

**ADVERTENCIA**

La tensión y fase de la fuente de alimentación deben corresponder con todos los requerimientos del equipo. La tensión o fase incorrecta puede producir incendio, daño al motor o a los controles y anula la garantía.

**ADVERTENCIA**

Todos los empalmes deben ser impermeables. Si utiliza juegos de empalme, siga las instrucciones del fabricante.

**ADVERTENCIA**

Seleccione una caja de conexiones NEMA del tipo correcto para la aplicación y ubicación. La caja de conexiones debe garantizar conexiones de cableado seguras y secas.

**PRECAUCIÓN**

Todos los motores requieren una sumersión de 5' para que la válvula de verificación de llenado funcione correctamente.

**ADVERTENCIA**

La falla de conectar a tierra permanentemente la bomba, el motor y los controles, antes de conectar la corriente eléctrica, puede causar electrochoque, quemaduras o la muerte.

**PRECAUCIÓN**

Todos los controles trifásicos (3Ø) para bombas sumergibles deben incluir protección contra sobrecarga de Clase 10, de disparo rápido.

**ADVERTENCIA**

Los motores de 4 pulg. \geq 2 caballos de fuerza requieren una velocidad de flujo mínima de 0.25 pies/seg o 7.62 cm/seg más allá del motor para producir un enfriamiento apropiado del mismo. Los flujos mínimos en GPM por diámetro de pozo requeridos para el enfriamiento son los siguientes: 1.2 GPM/4 pulg., 7 GPM/5 pulg., 13 GPM/6 pulg., 20 GPM/7 pulg., 30 GPM/8 pulg. o 50 GPM en un pozo de 10 pulg.

**PRECAUCIÓN**

Las bombas \geq 2 caballos de fuerza instaladas en tanques grandes se deben instalar en una camisa de inducción de flujo para crear el flujo de enfriamiento o la velocidad necesaria más allá del motor.

**PRECAUCIÓN**

Esta bomba se evaluó para uso con Agua Únicamente.

**WARNING**

Este puede exponerlo a químicos, incluido el plomo, reconocidos por el estado de California por provocar cáncer y defectos del nacimiento u otros daños reproductivos. Para obtener más información, acceda a: www.P65Warnings.ca.gov.

PROTECCIÓN DE LA BOMBA

Recomendamos el uso del PumpSaver de SymCom para proteger al sistema contra bajo nivel de agua, ciclaje rápido, voltaje alto/bajo, funcionamiento de la bomba sin succión/restricción de flujo y sobretensión.

LISTA DE VERIFICACIÓN DE LA INSTALACIÓN

- Anote la información de la bomba y del motor y otros datos solicitados en la portada de este manual.
- Inspeccione todos los componentes para detectar daños de envío; notifique los daños de inmediato al distribuidor.
- Verifique la correspondencia de los caballos de fuerza del motor y de la bomba.
- Haga corresponder la tensión y fase de la fuente de alimentación con las especificaciones de control y del motor.
- Seleccione un lugar sombreado y seco en el cual montar los controles.
- Las conexiones de todos los empalmes sumergidos y subterráneos deben ser impermeables.
- Sujete la bomba en la cabeza de descarga cuando instale tubo roscado o un accesorio adaptador, ya que la mayoría de las bombas tienen roscas de mano izquierda que se aflojarán si sujeta la bomba de cualquier otra parte.
- Revise todas las conexiones de plomería para verificar que estén ajustadas y selladas con cinta de Teflon.
- Verifique que la clasificación de presión del tubo sea más alta que la presión de paro de la bomba.
- Instale una válvula de alivio de presión en todo sistema capaz de crear más de 75 PSI.
- Sitúe el interruptor por caída de presión a menos de 4 pies del tanque de presión para evitar el chasquido del interruptor.
- Ajuste la precarga del tanque 2 PSI por debajo de la presión de conexión del sistema, por ejemplo 28 en un sistema de 30/50.
- Instale la bomba 10 pies más arriba del fondo del pozo para mantenerla lejos de los sedimentos y residuos.
- Verifique que el suministro eléctrico principal esté desconectado y APAGADO antes de cablear los componentes.
- El cableado debe ser realizado por técnicos calificados únicamente.
- El cableado y la puesta a tierra deben cumplir con los códigos nacionales y locales.
- Restrinja el flujo con una válvula de bola o de globo, 1/3 abierta, antes de arrancar la bomba por primera vez.
- Abra un grifo o una válvula de descarga durante la puesta en marcha para evitar que entre agua sucia al tanque.
- ENCIENDA el cortacircuitos principal o el desconector.
- Active/desactive varias veces para verificar el funcionamiento correcto del interruptor.
- Verifique los amperios y anote los datos en la portada de este manual.
- Entregue el manual al propietario en el sitio de la obra.

1.0 INSTALACIONES TÍPICAS

INSTALACIÓN DEL TANQUE CAPTIVE AIR

AVISO: LOS CAMBIOS DE PRESIÓN DE PRECARGA DEL TANQUE DEBEN HACERSE CON LA VÁLVULA NEUMÁTICA EN EL EXTREMO SUPERIOR DEL TANQUE.

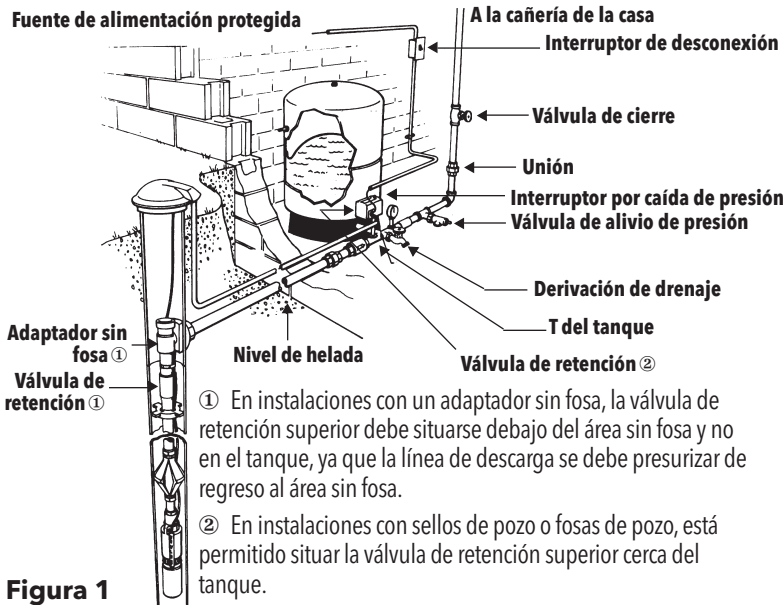


Figura 1

INSTALACIÓN DE TANQUE GALVANIZADO

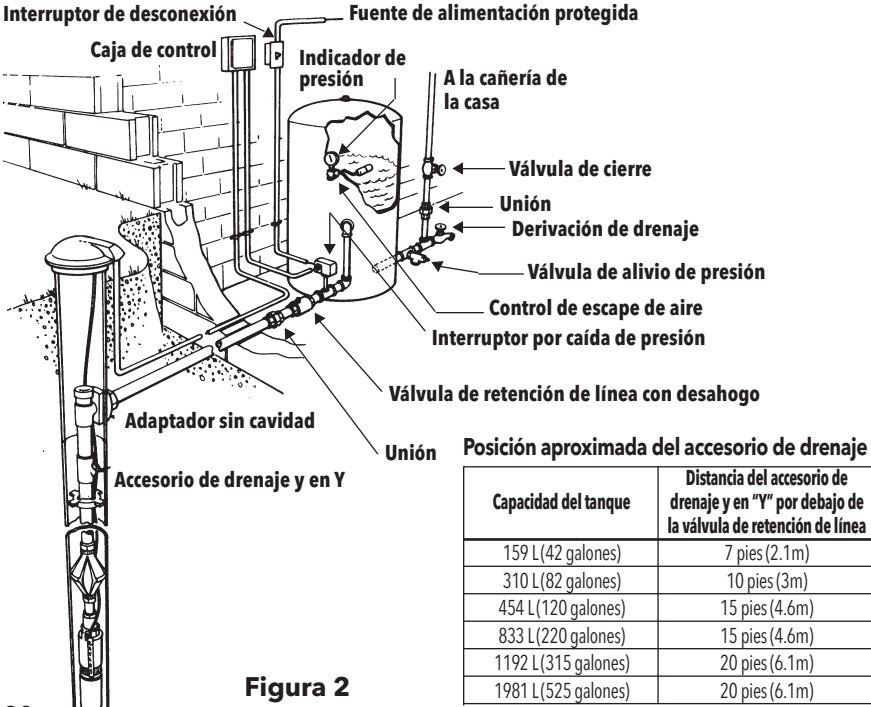


Figura 2

2.0 TUBERÍA

Aviso: La mayoría de las bombas sumergibles de 4 pulg. tienen rosas de mano izquierda en la cabeza de descarga; sujete la bomba sólo en la "cabeza de descarga" con una llave cuando instale accesorios o tubo roscado.

PRECAUCIÓN



Niveles de presión peligrosos pueden causar lesiones personales o daños materiales.

2.1 Generalidades

La tubería de descarga de la bomba debe dimensionarse para producir un funcionamiento eficiente de la bomba. Utilice las

Tablas de pérdida por fricción para calcular la carga dinámica total empleando tubos de tamaños diferentes. Como regla práctica, utilice 1 pulg. para hasta 10 gpm, 1¼ pulg. para hasta 30 gpm, 1½ pulg. para hasta 45 gpm y 2 pulg. para hasta 80 gpm. En el caso de secciones largas de tubería es mejor aumentar el tamaño de la tubería.

Algunas bombas son capaces de producir presiones de descarga muy altas; por lo tanto, seleccione el tubo que corresponda. Consulte con su proveedor de tubería para determinar el mejor tipo para cada instalación.



No instale el tanque donde esté sujeto a pulverización de sistemas de irrigación. La exposición a dicha pulverización podría causar la corrosión del tanque y, a la larga, una explosión que puede causar daños a la propiedad, lesiones personales graves o muerte.

2.2 Tanque de presión, interruptor por caída de presión y válvula de alivio de presión

Elija una ubicación seca en la que la temperatura ambiente

sea siempre superior a 34° F (1° C) para instalar el tanque, el interruptor de presión y la válvula de alivio de presión. Se debe ubicar el tanque en un área en la que una pérdida no causaría daños a la propiedad.

El interruptor por caída de presión debe estar situado en la doble T del tanque y nunca a más de 4 pies del

tanque. Si el interruptor se sitúa a más de 4 pies del tanque, emitirá un chasquido.

No instale válvulas, filtros o conexiones de alta absorción entre el interruptor y el/los tanque(s), ya que puede provocar el fallo del interruptor. Como ejemplo, una válvula de verificación de resorte de 1¼" tiene una pérdida de fricción equivalente a 12' de caño, colocar la válvula entre el interruptor de presión y el tanque de presión equivale a alejar al interruptor de presión 12' del tanque. Esto provocará un fallo en el interruptor.

En instalaciones de varios tanques, el interruptor debe situarse lo más cerca posible del centro del tanque. Las instalaciones de varios tanques deben tener un tubo de distribución cuyo tamaño sea al menos 1½ veces el tamaño del tubo de suministro de la bomba. Esto reducirá la carga por fricción en el tubo de distribución y disminuirá la posibilidad de chasquido del interruptor.

Se requieren válvulas de alivio de presión en cualquier sistema que sea capaz de producir 100 lbs./pulg. cuadrada o 230 pies de carga dinámica total. Si ésta es una área donde una purga o fuga de agua podría dañar la propiedad, conecte una línea de drenaje a la válvula de alivio de presión. Tiéndala a un drenaje adecuado o a un área donde el agua no dañará la propiedad.

2.3 Cómo ajustar la precarga del tanque

Asegúrese de que no haya nada de agua en el tanque. Utilice un indicador de presión de alta calidad para medir la presión de precarga del tanque. La presión debe ser 2 lbs./pulg. cuadrada menos que la presión de conexión de la bomba. Como ejemplo, un sistema de 30-50 lbs./pulg. cuadrada utilizaría una precarga del tanque de 28 lbs./pulg. cuadrada.

2.4 Tubería de descarga y válvula de retención

Nota: La mayoría de las cabezas de descarga se atornillan en la carcasa con roscas de mano izquierda. Sólo sujete la bomba en la cabeza de descarga cuando instale los accesorios. Si no se sujeta la cabeza de descarga, ésta se aflojará y se dañará la bomba al ponerla en marcha.

Si la tubería necesita un adaptador, recomendamos enfáticamente utilizar acero inoxidable. Los accesorios o tuberías galvanizadas nunca deben conectarse directamente a una cabeza de descarga de acero inoxidable ya que podría producirse corrosión galvánica. Se puede utilizar cualquier material para esta conexión en el caso de bombas de plástico o de latón. Los conectores tipo arpón siempre deben sujetarse con doble abrazadera.

El cabezal de descarga de la bomba tiene un ojal para sujetar un cable de seguridad. Se recomienda el uso de un cable de seguridad al usar tuberías de poliuretano, ya que la tubería se estira cuando está bajo presión y llena de agua.

2.5 Ensamble el extremo de la bomba Motor

Quite al protector del cable de la bomba (extremo del agua). Asocie el extremo del agua al motor que alinea los surcos del acoplador con los surcos en el eje del motor. Importante: el acoplador se debe bajar totalmente sobre el eje del motor, hace girar el eje del motor para controlar para saber si hay la rotación libre. Asegure las cuatro tuercas del motor en un modelo de alternancia en 13 pie-libras. Alinee los alambres en el protector del cable, ponga el protector azul del alambre dentro del protector del cable en el extremo superior de la bomba para el retenedor de cable.

El protector azul del alambre debe estar entre los alambres y el extremo de la bomba. Reate al protector del cable al extremo del agua cerciorándose de no pellizcar los alambres del motor.

2.6 Cómo instalar la bomba en el pozo

Si está utilizando un mecanismo anti-torsión, instálelo de acuerdo con las instrucciones de instalación del fabricante. Solicite información al proveedor sobre mecanismos antitorsión e instrucciones de instalación.

Conecte la tubería de descarga a la cabeza de descarga o al adaptador que instaló previamente. Los conectores tipo arpón siempre deben sujetarse con doble abrazadera. Instale la bomba en el interior del pozo utilizando un adaptador sin fosa o dispositivo similar en el cabezal del pozo. Consulte con el fabricante del accesorio o con el proveedor del adaptador con respecto a instrucciones específicas de instalación.

Utilice cinta aislante impermeable para sujetar los alambres al tubo de bajada a intervalos de 10 pies. Asegúrese de que la cinta no se desprenda ya que bloqueará la succión de la bomba si cae dentro del pozo. Los proveedores de bombas también venden conectores de alambre estilo presilla para sujetar el alambre al tubo de bajada.

2.7 Tubería especial para sistemas de tanques galvanizados

Cuando utilice un tanque galvanizado, debe instalar un accesorio de drenaje e "Y" AV11 en el pozo y una válvula de retención con válvula de desahogo en el tanque. Esto introducirá aire al tanque con cada arranque de la bomba y evitará el estancamiento del agua en el tanque.

Utilice un escape de aire AA4 en el tanque para permitir el escape del exceso de aire. La distancia entre AV11 y la válvula de desahogo determina la cantidad de aire que entra en cada ciclo. Consulte la tabla con respecto a los valores recomendados. *Consulte la Fig. 2 en la Sección 1.0.*

En el caso de pozos de gas, deben utilizarse tanques galvanizados con escapes de aire AA4 para ventear el exceso de aire y evitar la "salida de agua por chorros" en las llaves.

El metano y otros gases explosivos o peligrosos requieren un tratamiento especial del agua para extraerlos en forma segura. Consulte con un especialista de tratamiento de agua para considerar estos asuntos.

En las instalaciones con pozo de alimentación superior se deben usar camisas de flujo en la bomba.

2.8 Válvulas de retención

Nuestras bombas utilizan cuatro estilos distintos de válvulas de retención. Recomendamos el uso de válvulas de retención ya que evitan el giro inverso de la bomba y motor que producirá un desgaste prematuro de los cojinetes. Además, las válvulas de retención evitan que se produzca ariete hidráulico o daños por empuje hacia arriba. Las válvulas de retención se deben instalar cada 200 - 250 pies en la tubería de descarga vertical.

La siguiente información es para clientes que desean desactivar una válvula de retención para un sistema de retroceso de drenaje; estos sistemas deben utilizar otros medios para impedir el ariete hidráulico o los daños por empuje hacia arriba:

- **Las válvulas de acero inoxidable** incorporadas tienen un área plana que se puede perforar con facilidad con un taladro eléctrico y una

broca de ¼ pulg. o ⅜ pulg. para desactivar la válvula.

- **Las válvulas de retención estilo aguja que están atornilladas desde arriba** de la cabeza de descarga se pueden retirar con facilidad utilizando un entuerador de 12 pulg. o una boquilla profunda. El cubo hexagonal es visible y accesible desde arriba.
- **Las válvulas internas estilo aguja de plástico de diseño Flomatic™** se deben retirar desde adentro, para lo cual es necesario desarmar la bomba.

- **Las válvulas estilo aguja de plástico incorporadas con un vástago a través del extremo superior** se pueden retirar de la cabeza de descarga tirando el vástago con



3.0 TAMAÑO Y EMPALME DE ALAMBRES Y FUENTE DE ALIMENTACIÓN

Siempre siga el Código Eléctrico de los Estados Unidos (N.E.C.) el Código Eléctrico del Canadá y cualquier código estatal o local.

Sugerimos usar únicamente cable de cobre. Utilice el tamaño de cable que figura en la sección de Datos Técnicos de este manual, el manual MAID, o un manual de Código Eléctrico Nacional (N.E.C. - National Electric Code). En caso de discrepancias, el libro del N.E.C. prevalecerá con respecto a las recomendaciones de un fabricante.

3.1 Empalme de alambre a los conductores del motor

Cuando deba empalmarse o conectarse un cable de bajada al conductor del motor, es necesario que el empalme sea impermeable.

El empalme puede realizarse con juegos de contracción por calor o cinta impermeable.

A. Instrucciones de empalme con juego de contracción por calor

Para utilizar un juego típico de contracción por calor: pele $\frac{1}{2}$ pulgada de los alambres del motor y de los alambres del cable de bajada; es mejor escalar los empalmes. Coloque los tubos de contracción por calor sobre los alambres. Coloque los plegadores sobre los alambres y pliegue los extremos. Deslice los tubos de contracción por calor sobre los plegadores y caliéntelos desde el centro hacia afuera. El sellador y el adhesivo saldrán por los extremos cuando el tubo se contrae. El tubo, los plegadores, el sellador y el adhesivo crearán un sello impermeable muy resistente.

B. Instrucciones de empalme con cinta

- A) Pele el aislamiento del conductor individual sólo lo necesario para dejar espacio para un conector tipo estaca. Se prefieren los conectores tubulares tipo estaca. Si el D.E. del conector no es tan grande como el aislamiento del cable, aumentelo con cinta aislante de caucho.
- B) Encinte las juntas individuales con cinta aislante de caucho, empleando dos capas; la primera extendiéndose dos pulgadas más allá de cada extremo de aislamiento del conductor, la segunda capa extendiéndose dos pulgadas más allá de la primera capa. Envuelva en forma apretada, eliminando los espacios de aire lo más posible.
- C) Aplique cinta aislante Scotch #33 o equivalente sobre la cinta aislante de caucho, empleando dos capas como en el paso "B" y haciendo que

cada capa se superponga al menos dos pulgadas al extremo de la capa anterior.

En el caso de un cable con tres conductores recubiertos con un solo revestimiento exterior, encinte los conductores individuales en la forma descrita, alternando las juntas.

El espesor total de la cinta no debe ser inferior al espesor del aislamiento del conductor.



4.0 CÓMO CONECTAR LOS CONTROLES y EL INTERRUPTOR

4.1 Cómo montar la caja de control del motor

Las cajas de control monofásicas trifilares cumplen con los requerimientos de U.L. para las cubiertas tipo 3R. Son adecuadas para montaje vertical en lugares interiores y exteriores. Funcionarán a temperaturas entre 14°F (-10°C) y 122°F (50°C). Seleccione un lugar sombreado y seco para montar la caja. Asegure que haya suficiente espacio para quitar la tapa.

4.2 Verifique la tensión y apague la fuente de alimentación

Asegure que la tensión del motor y la tensión de la fuente de alimentación sean iguales.

Coloque el cortacircuitos o interruptor de desconexión en la posición OFF (de apagado) para evitar arrancar la bomba accidentalmente antes de que esté listo.

Las bobinas de arrancadores trifásicos son muy sensibles a la tensión; siempre verifique la tensión de suministro real con un voltímetro.

La alta o baja tensión, de más de $\pm 10\%$, dañará los motores y controles y eso no está cubierto por la garantía.

4.3 Cómo conectar los conductores del motor a la caja de control del motor, interruptor por caída de presión o arrancador



Precaución No energice la unidad ni haga funcionar la bomba hasta que haya completado todas las conexiones eléctricas y de tuberías. Verifique que

el desconector o cortacircuitos esté APAGADO antes de conectar los conductores de la línea del interruptor por caída de presión a la fuente de alimentación. Siga todos los códigos locales y nacionales. Utilice un desconector cuando el código así lo requiera.

A. Motor monofásico trifilar

Conecte los conductores del motor codificados con colores a los terminales de la caja de control del motor - Y (amarillo), R (rojo) y B (negro) y el alambre verde o desnudo al tornillo verde de puesta a tierra.

Conecte los alambres entre los terminales de carga en el interruptor por caída de presión y los terminales L1 y L2 de la caja de control. Conecte un alambre de puesta a tierra entre la tierra del interruptor y la tierra de la caja de control. Consulte la Figura 4 ó 5

B. Motor monofásico bifilar

Conecte los conductores negros del motor a los terminales de carga en el interruptor por caída de presión y el alambre verde o desnudo de puesta a tierra al tornillo verde de puesta a tierra. El motor CentriPro de dos hilos no funcionará con un PumpTec de Franklin Electric. Use un PumpSaver. Consulte la Figura 3

C. Motores trifásicos

Conecte los conductores del motor a T1, T2 y T3 en el arrancador trifásico. Conecte el alambre de puesta a tierra al tornillo de puesta a tierra en la caja del arrancador. Siga las instrucciones del fabricante del arrancador para conectar el interruptor por caída de presión o consulte la Figura 6.

4.4 Conexión a la fuente de alimentación



Complete el cableado haciendo la conexión desde los terminales de línea del interruptor por caída de presión monofásico hasta el panel de cortacircuitos o el desconector en caso que se utilice.

Instalaciones trifásicas - haga las conexiones entre L1, L2, L3 y tierra en el arrancador al desconector y luego al panel de cortacircuitos.

Deben verificarse las instalaciones trifásicas con respecto a la rotación del motor y al desbalance de fase. Para invertir la rotación del motor, cambie (invierta) dos conductores cualquiera. Consulte las instrucciones para identificar el desbalance trifásico en la Sección Técnica de este manual. Si no se revisa el desbalance de fase, se puede producir una falla prematura del motor o un disparo por sobrecarga falso. Si está utilizando un generador, consulte los Datos Técnicos para generadores.

4.5 Protección contra las sobrecargas en unidades trifásicas

Sólo use la protección de Clase 10, de disparo rápido contra las sobrecargas en los motores sumergibles trifásicos. Vea los arrancadores definidos del propósito en este manual.

Llame al grupo de Servicio al Cliente del fabricante de la bomba para pedir asistencia para la selección.

4.6 Desbalance de potencia trifásica

Se recomienda un suministro trifásico completo, lo que incluye tres transformadores individuales o un transformador trifásico. Se pueden usar conexiones en estrella o en triángulo "abierto" empleando sólo dos transformadores, pero hay más posibilidad de que produzcan un rendimiento inadecuado, disparo por sobrecarga o falla prematura del motor debido al desbalance de corriente.

Mida la corriente en cada uno de los tres conductores del motor y calcule el desbalance de corriente en la forma que se explica abajo.

Si el desbalance de corriente es del 2% o menos, deje los conductores tal como están conectados.

Si el desbalance de corriente es de más del 2%, hay que verificar las lecturas de corriente en cada derivación empleando cada una de las tres conexiones posibles. Enrolle los conductores del motor en el arrancador en la misma dirección para evitar una inversión del motor.

Para calcular el porcentaje de desbalance de corriente:

- A. Sume los tres valores de corriente de línea.
- B. Divida la suma por tres, con lo cual se obtiene la corriente promedio.
- C. Seleccione el valor de corriente más alejado de la corriente promedio (ya sea alto o bajo).
- D. Determine la diferencia entre este valor de corriente (más alejado del promedio) y el promedio.
- E. Divida la diferencia por el promedio.

Multiplique el resultado por 100 para determinar el porcentaje de desbalance.

El desbalance de corriente no debe exceder el 5% a la carga del factor de servicio o el 10% a la carga de entrada nominal. Si el desbalance no puede corregirse enrollando los conductores, la causa del desbalance debe determinarse y corregirse. Si, en las tres conexiones posibles, la derivación más alejada del promedio está en el mismo conductor de potencia, entonces la mayoría del desbalance proviene de la fuente de potencia.

Contacte a la compañía de electricidad local para solucionar el desbalance.

| Terminales del arrancador | Conexión 1 | | | Conexión 2 | | | Conexión 3 | | |
|---------------------------|------------|--------|--------|------------|--------|--------|------------|--------|--------|
| | L1 | L2 | L3 | L1 | L2 | L3 | L1 | L2 | L3 |
| | ⊥ ┴ | ⊥ ┴ | ⊥ ┴ | ⊥ ┴ | ⊥ ┴ | ⊥ ┴ | ⊥ ┴ | ⊥ ┴ | ⊥ ┴ |
| Conductores del motor | R | B | Y | Y | R | B | B | Y | R |
| | T3 | T1 | T2 | T2 | T3 | T1 | T1 | T2 | T3 |

Ejemplo:

$$T3-R = 51 \text{ amperios}$$

$$T1-B = 46 \text{ amps}$$

$$T2-Y = 53 \text{ amps}$$

$$\text{Total} = \underline{150} \text{ amperios}$$

$$\div 3 = 50 \text{ amps}$$

$$- 46 = 4 \text{ amps}$$

$$4 \div 50 = .08 \text{ ó } 8\%$$

$$T2-Y = 50 \text{ amperios}$$

$$T3-R = 48 \text{ amps}$$

$$T1-B = 52 \text{ amps}$$

$$\text{Total} = \underline{150} \text{ amperios}$$

$$\div 3 = 50 \text{ amps}$$

$$- 48 = 2 \text{ amps}$$

$$2 \div 50 = .04 \text{ ó } 4\%$$

$$T1-B = 50 \text{ amperios}$$

$$T2-Y = 49 \text{ amps}$$

$$T3-R = 51 \text{ amps}$$

$$\text{Total} = \underline{150} \text{ amperios}$$

$$\div 3 = 50 \text{ amps}$$

$$- 49 = 1 \text{ amp}$$

$$1 \div 50 = .02 \text{ ó } 2\%$$

5.0 CÓMO ARRANCAR LA BOMBA



5.1 Instale una válvula y haga funcionar la bomba para limpiar el agua

En un pozo nuevo - Instale una válvula esférica o de globo en la línea de descarga de la bomba y con la válvula $\frac{1}{2}$ abierta, bombee el pozo hasta que el agua salga limpia. Abra la válvula lentamente para verificar el flujo y, cuando el agua salga limpia, apague la bomba.

Retire la válvula esférica o de globo y conecte la descarga de la bomba a cañería de la casa, el tanque de presión y el interruptor. Encienda la bomba. Permita que la bomba funcione varios ciclos para que se enjuague y para verificar que la bomba y el interruptor funcionen correctamente. Aproveche este tiempo para fijarse si las conexiones presentan pérdidas.

CUIDADO: Si el pozo tiene un nivel estático alto, vea la próxima sección con información importante para la protección de la bomba.



5.2 Estrangulación de un pozo de alto nivel estático para evitar el empuje hacia arriba

Cualquier pozo con un alto nivel estático de agua podría permitir que la bomba funcione fuera de la curva a la derecha o fuera del "intervalo recomendado" mostrado en la curva de la bomba. Recomendamos utilizar un restrictor de flujo "Dole" o estrangular con una válvula de bola para evitar el daño por empuje hacia arriba a la bomba y al motor. Debe restringirse el flujo máximo para que esté dentro del intervalo de funcionamiento recomendado de la bomba. Si utiliza

una válvula de bola, ajústela, quite la manija, encinte la manija al tubo y etiquete la válvula con una nota que diga "No abra esta válvula o podría dañarse la bomba". La manera más fácil de "ajustar" el flujo es llenar un cubo de 5 galones y medir el tiempo que lleva producir 5 galones. Calcule el flujo en gpm de acuerdo con este valor. A medida que el nivel de agua disminuye en el pozo, se reducirá el flujo debido al aumento de la carga y la válvula no interferirá con el rendimiento.

6.0 DOCUMENTACIÓN y EL MANUAL DE INSTRUCCIONES (IOM)

Entregue este manual de instrucciones y su tarjeta al propietario. ¡Una etiqueta con su nombre y número de teléfono en el tanque o en la caja de control es una buena herramienta de venta para los negocios futuros!

Actualmente, proveemos una etiqueta adicional de bomba que usted puede fijar en el IOM, colocar en una caja de control de 3 hilos o ubicar cerca del tanque y del interruptor de presión para identificación futura de la bomba.

GENERACIÓN II - DE 2-HILOS, 4 PULG. DATOS ELÉCTRICOS LA MONOFÁSICO, 60 HERTZ, 3450 RPM

| Tipo | CP No. de orden | HP | KW | Voltios | SF | Carga plena | | Factor de servicio | | Amperaje del rotor bloqueado | Winding Resistance | Código KVA |
|----------------|-----------------|------|------|---------|-----|-------------|-------|--------------------|-------|------------------------------|--------------------|------------|
| | | | | | | Amps | Watts | Amps | Watts | | | |
| PSC de 2-hilos | M05421 | 0.5 | 0.37 | 115 | 1.6 | 7.9 | 910 | 9.8 | 1120 | 28 | 1.4-2.0 | H |
| | M05422 | 0.5 | 0.37 | 230 | 1.6 | 4.0 | 845 | 4.7 | 1050 | 16 | 6.1-7.2 | J |
| | M07422 | 0.75 | 0.55 | 230 | 1.5 | 5.0 | 1130 | 6.2 | 1400 | 18 | 5.9-6.9 | F |
| | M10422 | 1.0 | 0.75 | 230 | 1.4 | 6.7 | 1500 | 8.1 | 1800 | 24 | 4.2-5.2 | F |
| | M15422 | 1.5 | 1.1 | 230 | 1.3 | 9.0 | 2000 | 10.4 | 2350 | 43 | 1.8-2.4 | H |

GENERACIÓN II - DE 3-HILOS, 4 PULG. DATOS ELÉCTRICOS LA MONOFÁSICO, 60 HERTZ, 3450 RPM

| Tipo | CP No. de orden | HP | KW | Voltios | SF | Carga plena | | Factor de servicio | | Amperaje del rotor bloqueado | Winding Resistance | | Caja de control requerida ¹ |
|---|-----------------|------|------|----------------------------|---------------------------|----------------------------|---------------------------|--------------------------|---------|------------------------------|--------------------------|--------------------------|--|
| | | | | | | Amps | Watts | Amps | Watts | | Principle (B-Y) | Ar-ranque (R-Y) | |
| 3-hilos con Q.D. rectángulo del comienzo del condensador | M05411 | 0.5 | 0.37 | 230 | 1.6 | Y-8.8 B-8.8 R-0 | 675 | Y-10.9 B-10.9 R-0 | 980 | 44 | 1.0-1.4 | 2.5-3.1 | CB05411 |
| | M05412 | 0.5 | 0.37 | | 1.6 | Y-5.3 B-5.3 R-0 | 740 | Y-6.1 B-6.1 R-0 | 1050 | 21 | 5.1-6.1 | 12.4-13.7 | CB05412 |
| | M07412 | 0.75 | 0.55 | | 1.5 | Y-6.6 B-6.6 R-0 | 970 | Y-7.8 B-7.8 R-0 | 1350 | 32 | 2.6-3.3 | 10.4-11.7 | CB07412 |
| | M10412 | 1.0 | 0.75 | | 1.4 | Y-8.1 B-8.1 R-0 | 1215 | Y-9.4 B-9.4 R-0 | 1620 | 41 | 2.0-2.6 | 9.3-10.4 | CB10412 |
| 3-hilos con CSCR (CR) o el rectángulo de control magnético del contactor (MC) | M05412 | 0.5 | 0.37 | | 1.6 | Y-4.2 B-4.1 R-1.8 | 715 | Y-4.8 B-4.3 R-1.8 | 960 | 21 | 1.0-1.4 | 2.5-3.1 | CB05412CR |
| | M07412 | 0.75 | 0.55 | | 1.5 | Y-4.8 B-4.4 R-2.5 | 940 | Y-6.0 B-4.9 R-2.3 | 1270 | 32 | 5.1-6.1 | 12.4-13.7 | CB07412CR |
| | M10412 | 1.0 | 0.75 | | 1.4 | Y-6.1 B-5.2 R-2.7 | 1165 | Y-7.3 B-5.8 R-2.6 | 1540 | 41 | 2.6-3.3 | 10.4-11.7 | CB10412CR |
| | M15412 | 1.5 | 1.1 | | 1.3 | Y-9.1 B-8.2 R-2.0 | 1660 | Y-10.9 B-9.4 R-1.9 | 2130 | 49 | 2.0-2.6 | 9.3-10.4 | CB15412CR o CB15412MC |
| | M20412 | 2 | 1.5 | 1.25 | Y-9.9 B-9.1 R-2.6 | 2170 | Y-12.2 B-11.7 R-2.6 | 2660 | 49 | 1.6-2.2 | 10.8-12.0 | CB20412CR o CB20412MC | |
| | M30412 | 3 | 2.2 | 1.15 | Y-14.3 B-12.0 R-5.7 | 3170 | Y-16.5 B-13.9 R-5.6 | 3620 | 76 | 1.1-1.4 | 2.0-2.5 | CB30412CR o CB30412MC | |
| M50412 | 5 | 3.7 | 1.15 | Y-24.0 B-19.1 R-10.2 | 5300 | Y-27.0 B-22.0 R-10.0 | 6030 | 101 | .62-.76 | 1.36-1.66 | CB50412CR o CB50412MC | | |

¹ Un rectángulo de control de CSCR con un sufijo del CR se puede substituir por una conclusión magnética del modelo del contactor en MC.

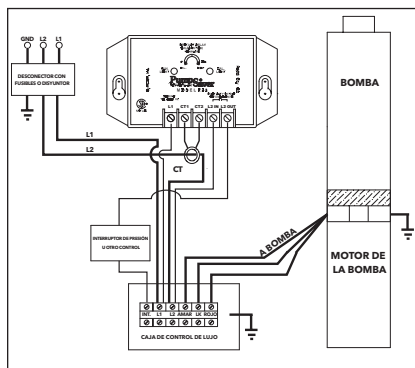
4 PULGADAS PREMIUM - MOTORES MONOFÁSICOS DE 2 HILOS (Todas las generaciones)

| Largos de conductores del motor - Motores de 2 hilos Faradyne - con base en Amps de Factor de Servicio, temperatura ambiente 30°C y caída de voltaje del 5% | | | | | | | | | | | | | | | |
|---|----|------|-----|------|-----|-----|------|------|------|------|------|-------|-------|------|------|
| Clasificación de motor | | | | | | | | | | | | | | | |
| Voltios | HP | kW | FLA | SFA | 14 | 12 | 10 | 8 | 6 | 4 | 2 | 1/0 | 2/0 | 3/0 | 4/0 |
| 115 | ½ | 0.37 | 8.1 | 10.2 | 107 | 171 | 273 | 432 | 672 | 1071 | 1700 | 2703 | 3411 | 4305 | 5424 |
| 230 | ½ | 0.37 | 4.3 | 4.8 | 457 | 726 | 1158 | 1835 | 2855 | 4551 | 7225 | 11489 | | | |
| | ¾ | 0.55 | 5.0 | 6.4 | 342 | 545 | 869 | 1376 | 2141 | 3413 | 5419 | 8617 | 10871 | | |
| | 1 | 0.75 | 6.7 | 8.2 | 241 | 383 | 611 | 968 | 1506 | 2400 | 3811 | 6060 | 7646 | 9652 | |
| | 1½ | 1.1 | 9.1 | 10.5 | 199 | 317 | 505 | 801 | 1246 | 1986 | 3153 | 5013 | 6325 | 7985 | |

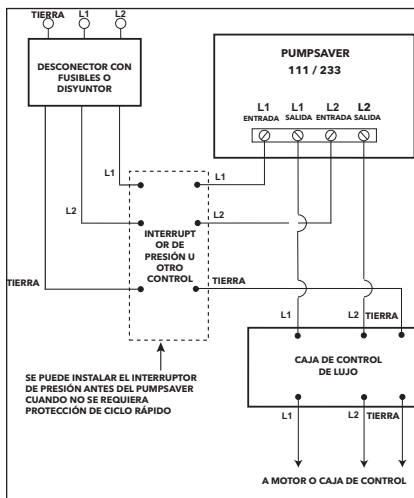
GENERACIÓN II, 3-ALAMBRE, 4" 1Ø, RECOMENDADO LONGITUDES DEL ALAMBRE

| Largos de conductores del motor - Motores de 3 hilos CentriPro (CSIR) - con base en Amps de Factor de Servicio, temperatura ambiente 30°C y caída de voltaje del 5% | | | | | | | | | | | | | | | |
|---|----|------|------|------|---|-----|-----|------|------|------|------|------|------|------|------|
| Clasificación de motor | | | | | 60°C y 75° aislamiento - tamaño de cable de cobre AWG | | | | | | | | | | |
| Voltios | HP | kW | FLA | SFA | 14 | 12 | 10 | 8 | 6 | 4 | 2 | 1/0 | 2/0 | 3/0 | 4/0 |
| 115 | ½ | 0.37 | 8.8 | 10.9 | 101 | 160 | 255 | 404 | 629 | 1002 | 1591 | 2530 | 3192 | 4029 | 5076 |
| 230 | ½ | 0.37 | 5.3 | 6.1 | 359 | 571 | 912 | 1444 | 2246 | 3581 | 5685 | 9040 | - | - | - |
| | ¾ | 0.55 | 6.6 | 7.8 | 281 | 447 | 713 | 1129 | 1757 | 2800 | 4446 | 7070 | 8920 | - | - |
| | 1 | 0.75 | 8.1 | 9.4 | 233 | 371 | 592 | 937 | 1458 | 2324 | 3689 | 5867 | 7402 | - | - |
| | 1½ | 1.1 | 9.1 | 10.9 | 201 | 320 | 510 | 808 | 1257 | 2004 | 3182 | 5059 | 6383 | - | - |
| | 2 | 1.5 | 9.9 | 12.2 | 180 | 286 | 456 | 722 | 1123 | 1790 | 2843 | 4520 | 5703 | - | - |
| | 3 | 2.2 | 14.3 | 16.5 | 133 | 211 | 337 | 534 | 830 | 1324 | 2102 | 3342 | 4217 | 5323 | - |
| | 5 | 3.7 | 24 | 27 | - | - | 206 | 326 | 507 | 809 | 1284 | 2042 | 2577 | 3253 | - |

PUMPSAVER 235



PUMPSAVER 111 / 233



CENTRIPRO TRIFÁSICO, 4", DATOS DEL MOTOR

EFICACIA, GRADO DEL EMPUJE, FUSIBLE/CORTA-CIRCUITO, CÓDIGOS DEL KVA

| No. de Modelo | HP | Voltios | Eficacia % | | Grado del empuje | Codigo KVA | Fusible estándar | | Fusible de DE-TD | | Corta-circuito | |
|---------------|------|---------|------------|--------|------------------|------------|----------------------------------|--------------------------|----------------------------------|--------------------------|----------------------------------|--------------------------|
| | | | F.L. | S.F. | | | El NEC de las reuniones basó FLA | El valor máximo basó SFA | El NEC de las reuniones basó FLA | El valor máximo basó SFA | El NEC de las reuniones basó FLA | El valor máximo basó SFA |
| | | | | | | | | | | | | |
| M05430 | 0.5 | 200 | 62 | 68 | 700 # | R | 10 | 15 | 6 | 10 | 10 | 10 |
| M07430 | 0.75 | | 69 | 74 | | R | 15 | 15 | 10 | 15 | 10 | 15 |
| M10430 | 1 | | 66 | 70 | | M | 15 | 20 | 10 | 10 | 10 | 15 |
| M15430 | 1.5 | | 72 | 74 | | L | 20 | 25 | 10 | 15 | 15 | 20 |
| M20430 | 2 | | 74 | 75 | 900 # | K | 25 | 30 | 15 | 20 | 20 | 25 |
| M30430 | 3 | | 77 | 77 | | K | 35 | 40 | 20 | 25 | 30 | 35 |
| M50430 | 5 | | 76 | 76 | 1500 # | J | 60 | 70 | 35 | 40 | 50 | 60 |
| M75430 | 7.5 | | 74 | 74 | | J | 80 | 90 | 50 | 60 | 70 | 80 |
| M05432 | 0.5 | 230 | 61 | 68 | 700 # | R | 6 | 10 | 6 | 6 | 6 | 10 |
| M07432 | 0.75 | | 66 | 71 | | R | 6 | 15 | 6 | 10 | 6 | 10 |
| M10432 | 1 | | 69 | 72 | | M | 10 | 15 | 6 | 10 | 10 | 15 |
| M15432 | 1.5 | | 75 | 76 | | K | 15 | 20 | 10 | 15 | 15 | 20 |
| M20432 | 2 | | 75 | 75 | 900 # | K | 15 | 25 | 15 | 15 | 20 | 20 |
| M30432 | 3 | | 77 | 77 | | J | 25 | 35 | 15 | 20 | 25 | 30 |
| M50432 | 5 | | 76 | 76 | 1500 # | J | 45 | 60 | 30 | 35 | 40 | 45 |
| M75432 | 7.5 | | 75 | 75 | | J | 70 | 80 | 45 | 50 | 60 | 70 |
| M05434 | 0.5 | 460 | 61 | 68 | 700 # | R | 3 | 6 | 3 | 3 | 3 | 6 |
| M07434 | 0.75 | | 69 | 73 | | R | 3 | 10 | 6 | 6 | 3 | 6 |
| M10434 | 1 | | 65 | 69 | | M | 6 | 10 | 3 | 6 | 6 | 10 |
| M15434 | 1.5 | | 72 | 73 | | K | 10 | 10 | 6 | 6 | 6 | 10 |
| M20434 | 2 | | 74 | 75 | 900 # | L | 15 | 15 | 6 | 10 | 10 | 10 |
| M30434 | 3 | | 76 | 77 | | J | 15 | 20 | 10 | 10 | 15 | 15 |
| M50434 | 5 | | 77 | 77 | 1500 # | J | 25 | 30 | 15 | 20 | 15 | 25 |
| M75434 | 7.5 | | 76 | 76 | | L | 40 | 50 | 25 | 30 | 30 | 35 |
| M100434 | 10 | | 79 | 80 | | K | 45 | 60 | 25 | 35 | 35 | 45 |
| M15437 | 1.5 | | 73 | 74 | | 700 # | J | 6 | 10 | 3 | 6 | 6 |
| M20437 | 2 | 78 | 78 | 900 # | M | 10 | 10 | 6 | 6 | 10 | 10 | |
| M30437 | 3 | 78 | 78 | | J | 10 | 15 | 10 | 10 | 10 | 15 | |
| M50437 | 5 | 74 | 75 | 1500 # | M | 20 | 25 | 15 | 15 | 20 | 20 | |
| M75437 | 7.5 | 77 | 77 | | J | 25 | 35 | 20 | 20 | 25 | 30 | |

DATOS DEL MOTOR DE 4" TRIFÁSICO

DATOS ELÉCTRICOS, 60 HZ, 3450 RPM

| No. de Modelo | HP | kW | Voltios | SF | Carga plena | | Factor de servicio | | Amperaje del Rotor bloqueado | Línea - Resistencia línea |
|---------------|------|------|---------|------|-------------|--------|--------------------|--------|------------------------------|---------------------------|
| | | | | | Amps | Vatios | Amps | Vatios | | |
| M05430 | 0.5 | 0.37 | 200 | 1.6 | 2.9 | 600 | 3.4 | 870 | 22 | 4.1-5.2 |
| M07430 | 0.75 | 0.55 | | 1.5 | 3.8 | 812 | 4.5 | 1140 | 32 | 2.6-3.0 |
| M10430 | 1 | 0.75 | | 1.4 | 4.6 | 1150 | 5.5 | 1500 | 29 | 3.4-3.9 |
| M15430 | 1.5 | 1.1 | | 1.3 | 6.3 | 1560 | 7.2 | 1950 | 40 | 1.9-2.5 |
| M20430 | 2 | 1.5 | | 1.25 | 7.5 | 2015 | 8.8 | 2490 | 51 | 1.4-2.0 |
| M30430 | 3 | 2.2 | | 1.15 | 10.9 | 2890 | 12.0 | 3290 | 71 | 0.9-1.3 |
| M50430 | 5 | 3.7 | | 1.15 | 18.3 | 4850 | 20.2 | 5515 | 113 | 0.4-0.8 |
| M75430 | 7.5 | 5.5 | | 1.15 | 27.0 | 7600 | 30.0 | 8800 | 165 | 0.5-0.6 |
| M05432 | 0.5 | 0.37 | 230 | 1.6 | 2.4 | 610 | 2.9 | 880 | 17.3 | 5.7-7.2 |
| M07432 | 0.75 | 0.55 | | 1.5 | 3.3 | 850 | 3.9 | 1185 | 27 | 3.3-4.3 |
| M10432 | 1 | 0.75 | | 1.4 | 4.0 | 1090 | 4.7 | 1450 | 26.1 | 4.1-5.1 |
| M15432 | 1.5 | 1.1 | | 1.3 | 5.2 | 1490 | 6.1 | 1930 | 32.4 | 2.8-3.4 |
| M20432 | 2 | 1.5 | | 1.25 | 6.5 | 1990 | 7.6 | 2450 | 44 | 1.8-2.4 |
| M30432 | 3 | 2.2 | | 1.15 | 9.2 | 2880 | 10.1 | 3280 | 58.9 | 1.3-1.7 |
| M50432 | 5 | 3.7 | | 1.15 | 15.7 | 4925 | 17.5 | 5650 | 93 | .85-1.25 |
| M75432 | 7.5 | 5.5 | | 1.15 | 24 | 7480 | 26.4 | 8570 | 140 | .55-.85 |
| M05434 | 0.5 | 0.37 | 460 | 1.6 | 1.3 | 610 | 1.5 | 875 | 9 | 23.6-26.1 |
| M07434 | 0.75 | 0.55 | | 1.5 | 1.7 | 820 | 2.0 | 1140 | 14 | 14.4-16.2 |
| M10434 | 1 | 0.75 | | 1.4 | 2.2 | 1145 | 2.5 | 1505 | 13 | 17.8-18.8 |
| M15434 | 1.5 | 1.1 | | 1.3 | 2.8 | 1560 | 3.2 | 1980 | 16.3 | 12.3-13.1 |
| M20434 | 2 | 1.5 | | 1.25 | 3.3 | 2018 | 3.8 | 2470 | 23 | 8.0-8.67 |
| M30434 | 3 | 2.2 | | 1.15 | 4.8 | 2920 | 5.3 | 3320 | 30 | 5.9-6.5 |
| M50434 | 5 | 3.7 | | 1.15 | 7.6 | 4810 | 8.5 | 5530 | 48 | 3.58-4.00 |
| M75434 | 7.5 | 5.5 | | 1.15 | 12.2 | 7400 | 13.5 | 8560 | 87 | 1.9-2.3 |
| M100434 | 10 | 7.5 | 1.15 | 15.6 | 9600 | 17.2 | 11000 | 110 | 1.8-2.2 | |
| M15437 | 1.5 | 1.1 | 575 | 1.3 | 2.0 | 1520 | 2.4 | 1950 | 11.5 | 19.8-20.6 |
| M20437 | 2 | 1.5 | | 1.25 | 2.7 | 1610 | 3.3 | 2400 | 21 | 9.4-9.7 |
| M30437 | 3 | 2.2 | | 1.15 | 3.7 | 2850 | 4.1 | 3240 | 21.1 | 9.4-9.7 |
| M50437 | 5 | 3.7 | | 1.15 | 7.0 | 5080 | 7.6 | 5750 | 55 | 3.6-4.2 |
| M75437 | 7.5 | 5.5 | | 1.15 | 9.1 | 7260 | 10.0 | 8310 | 55 | 3.6-4.2 |

CUADRO DE CABLE DEL MOTOR DE 4" TRIFÁSICO

| Largos de conductores de motor - Motores trifásicos - Con base en amperes de factor de servicio, temperatura ambiente 30°C y caída de tensión del 5% | | | | | | | | | | | | | | | | | |
|---|-----------|-----------|------------|------------|---|-----------|-----------|----------|----------|----------|----------|----------|----------|------------|------------|------------|------------|
| Clasificación de motor | | | | | 60°C y 75°C aislamiento - tamaño de cable de cobre AWG | | | | | | | | | | | | |
| Voltios | HP | kW | FLA | SFA | 14 | 12 | 10 | 8 | 6 | 4 | 3 | 2 | 1 | 1/0 | 2/0 | 3/0 | 4/0 |
| 200 | .5 | .37 | 3.8 | 2.9 | 657 | 1045 | 1667 | 2641 | 4109 | | | | | | | | |
| | .75 | .55 | 3.8 | 4.5 | 423 | 674 | 1074 | 1702 | 2648 | | | | | | | | |
| | 1 | .75 | 4.6 | 5.5 | 346 | 551 | 879 | 1392 | 2166 | 3454 | 4342 | | | | | | |
| | 1.5 | 1.1 | 6.3 | 7.2 | 265 | 421 | 672 | 1064 | 1655 | 2638 | 3317 | | | | | | |
| | 2 | 1.5 | 7.5 | 8.8 | 217 | 344 | 549 | 870 | 1354 | 2158 | 2714 | 3427 | 4317 | 5449 | | | |
| | 3 | 2.2 | 10.9 | 12.0 | 159 | 253 | 403 | 638 | 993 | 1583 | 1990 | 2513 | 3166 | 3996 | | | |
| | 5 | 3.7 | 18.3 | 20.2 | 94 | 150 | 239 | 379 | 590 | 940 | 1182 | 1493 | 1881 | 2374 | 2995 | 3781 | 4764 |
| | 7.5 | 5.5 | 27.0 | 30.0 | 64 | 101 | 161 | 255 | 397 | 633 | 796 | 1005 | 1266 | 1598 | 2017 | 2546 | 3207 |
| 230 | .5 | .37 | 2.4 | 2.9 | 756 | 1202 | 1917 | 3037 | 4725 | 7532 | 9469 | | | | | | |
| | .75 | .55 | 3.3 | 3.9 | 562 | 894 | 1426 | 2258 | 3513 | 5601 | 7041 | 8892 | | | | | |
| | 1 | .75 | 4 | 4.7 | 466 | 742 | 1183 | 1874 | 2915 | 4648 | 5843 | 7379 | | | | | |
| | 1.5 | 1.1 | 5.2 | 6.1 | 359 | 571 | 912 | 1444 | 2246 | 3581 | 4502 | 5685 | 7162 | 9040 | | | |
| | 2 | 1.5 | 6.5 | 7.6 | 288 | 459 | 732 | 1159 | 1803 | 2874 | 3613 | 4563 | 5748 | 7256 | 9155 | | |
| | 3 | 2.2 | 9.2 | 10.1 | 217 | 345 | 551 | 872 | 1357 | 2163 | 2719 | 3434 | 4326 | 5460 | 6889 | 8696 | 10956 |
| | 5 | 3.7 | 15.7 | 17.5 | | | 318 | 503 | 783 | 1248 | 1569 | 1982 | 2496 | 3151 | 3976 | 5019 | 6323 |
| | 7.5 | 5.5 | 24 | 26.4 | | | | 334 | 519 | 827 | 1040 | 1314 | 1655 | 2089 | 2635 | 3327 | 4192 |
| 460 | .5 | .37 | 1.3 | 1.5 | 2922 | 4648 | 7414 | | | | | | | | | | |
| | .75 | .55 | 1.7 | 2.0 | 2191 | 3486 | 5560 | 8806 | | | | | | | | | |
| | 1 | .75 | 2.2 | 2.5 | 1753 | 2789 | 4448 | 7045 | | | | | | | | | |
| | 1.5 | 1.1 | 2.8 | 3.2 | 1370 | 2179 | 3475 | 5504 | | | | | | | | | |
| | 2 | 1.5 | 3.3 | 3.8 | 1153 | 1835 | 2926 | 4635 | 7212 | | | | | | | | |
| | 3 | 2.2 | 4.8 | 5.3 | 827 | 1315 | 2098 | 3323 | 5171 | | | | | | | | |
| | 5 | 3.7 | 7.6 | 8.5 | 516 | 820 | 1308 | 2072 | 3224 | 5140 | | | | | | | |
| | 7.5 | 5.5 | 12.2 | 13.5 | 325 | 516 | 824 | 1305 | 2030 | 3236 | 4068 | 5138 | 6472 | | | | |
| 575 | 10 | 7.5 | | | | | | | | | | | | | | | |
| | 1.5 | 1.1 | 2.0 | 2.4 | 2283 | 3631 | 5792 | | | | | | | | | | |
| | 2 | 1.5 | 2.7 | 3.3 | 1660 | 2641 | 4212 | 6671 | | | | | | | | | |
| | 3 | 2.2 | 3.7 | 4.1 | 1336 | 2126 | 3390 | 5370 | | | | | | | | | |
| | 5 | 3.7 | 7.0 | 7.6 | 721 | 1147 | 1829 | 2897 | 4507 | | | | | | | | |
| 7.5 | 5.5 | 9.1 | 10.0 | 548 | 871 | 1390 | 2202 | 3426 | | | | | | | | | |

Datos técnicos

LECTURAS DE RESISTENCIA DEL AISLAMIENTO DEL MOTOR

Lecturas normales en ohmios/megaohmios, TODOS los motores, entre todos los conductores y tierra

⚠️ PRECAUCIÓN Para realizar la prueba de resistencia de aislamiento, abra el cortacircuitos y desconecte todos los conductores de la caja de control QD o del interruptor por caída de presión. Conecte un conductor del ohmímetro a cualquier conductor del motor y otro a un tubo de bajada de metal o a una tierra adecuada. **Escala R x 100K**

| Condición del motor y los conductores | Valor en OHMIOS | Valor en Megaohmios |
|--|------------------------|---------------------|
| Motor nuevo, sin cable de alimentación | 20,000,000 (o más) | 20.0 |
| Motor usado, el cual puede reinstalarse en el pozo | 10,000,000 (o más) | 10.0 |
| Motor en el pozo - lecturas del cable de alimentación más el motor | | |
| Motor nuevo | 2,000,000 (o más) | 2.0 |
| El motor está en relativamente buenas condiciones | de 500,000 a 2,000,000 | 0.5 - 2.0 |
| El motor podría estar dañado o con cable de alimentación dañado <i>No retire el motor por estas razones</i> | de 20,000 a 500,000 | 0.02 - 0.5 |
| Motor definitivamente dañado o con cable de alimentación dañado <i>Retire y repare el motor</i> | de 10,000 a 20,000 | 0.01 - 0.02 |
| Falla del motor o del cable de alimentación <i>Retire y repare el motor</i> | menos de 10,000 | 0 - 0.01 |

Operación del generador



SI NO SE USA UN INTERRUPTOR DE TRANSFERENCIA MANUAL O AUTOMÁTICO CUANDO EL GENERADOR SE UTILIZA COMO UNIDAD DE RESERVA, SE PUEDE PRODUCIR ELECTROCHOQUE, QUEMADURAS O LA MUERTE. LOS DATOS DE DOS HILOS SON SOLO PARA MOTORES DEL TIPO PSC; 2 CABLES CON FASE DIVIDIDA DEBEN SER UN 50% MÁS GRANDES QUE LA CLASIFICACIÓN DE GENERADOR DE 3 HILOS.

| Motor | HP | Clasificación mínima del generador | | | |
|---------------------------|------|------------------------------------|------|-----------------------|------|
| | | Regulado externamente | | Regulado internamente | |
| | | KW | KVA | KW | KVA |
| 2 hilos 1Ø Solo PSC | 0,5 | 2,5 | 3,1 | 1,8 | 2,2 |
| | 0,75 | 3,5 | 4,4 | 2,5 | 3,1 |
| | 1 | 5 | 6,3 | 3,2 | 4 |
| | 1,5 | 6 | 7,5 | 4 | 5 |
| 3 hilos 1Ø o 3 | 0,5 | 2 | 2,5 | 1,5 | 1,9 |
| | 0,75 | 3 | 3,8 | 2 | 2,5 |
| | 1 | 4 | 5 | 2,5 | 3,2 |
| | 1,5 | 5 | 6,3 | 3 | 3,8 |
| | 2 | 7,5 | 9,4 | 4 | 5 |
| | 3 | 10 | 12,5 | 5 | 6,3 |
| | 5 | 15 | 18,8 | 7,5 | 9,4 |
| | 7,5 | 20 | 25 | 10 | 12,5 |
| 10 | 30 | 37,5 | 15 | 18,8 | |

ARRANCADORES TRIFÁSICOS DEL PROPÓSITO DEFINIDO CON SOBRECARGAS AJUSTABLES

| Orden de CentriPro no. | Número de referencia de Eaton | Máximo amperios | Voltaje de fuente | O.L. Relevo | Rango de la sobrecarga | Máximo LRA | Rango típico de HP |
|------------------------|-------------------------------|-----------------|-------------------|-------------|------------------------|------------|--------------------|
| DP25D2 | A27CGC25BA2P4 | 25 | 208-230 | D | 1.6-2.4 | 150 | .5 - 5 |
| DP25E2 | A27CGC25BA004 | | | E | 2.4-4 | | |
| DP25F2 | A27CGC25BA006 | | | F | 4-6 | | |
| DP25G2 | A27CGC25BA010 | | | G | 6-10 | | |
| DP25H2 | A27CGC25BA016 | | | H | 10-16 | | |
| DP25J2 | A27CGC25BA024 | | | J | 16-24 | | |
| DP25C4 | A27CGC25CA1P6 | 25 | 460 | C | 1-1.6 | 125 | .5 - 10 |
| DP25D4 | A27CGC25CA2P4 | | | D | 1.6-2.4 | | |
| DP25E4 | A27CGC25CA004 | | | E | 2.4-4 | | |
| DP25F4 | A27CGC25CA006 | | | F | 4-6 | | |
| DP25G4 | A27CGC25CA010 | | | G | 6-10 | | |
| DP25H4 | A27CGC25CA016 | | | H | 10-16 | | |
| DP25J4 | A27CGC25CA024 | J | 16-24 | | | | |
| DP25E5 | A27CGC25DA004 | 25 | 575 | E | 2.4-4 | 100 | 1.5 - 10 |
| DP25F5 | A27CGC25DA006 | | | F | 4-6 | | |
| DP25G5 | A27CGC25DA010 | | | G | 6-10 | | |
| DP25H5 | A27CGC25DA016 | | | H | 10-16 | | |
| DP30L2 | A27CGE30BA010 | 30 | 208-230 | L | 6-10 | 180 | 1.5 - 7.5 |
| DP30M2 | A27CGE30BA016 | | | M | 10-16 | | |
| DP30N2 | A27CGE30BA024 | | | N | 16-24 | | |
| DP30P2 | A27CGE30BA040 | | | P | 24-40 | | |
| DP30L4 | A27CGE30CA010 | 30 | 460 | L | 6-10 | 150 | 5 - 20 |
| DP30M4 | A27CGE30CA016 | | | M | 10-16 | | |
| DP30N4 | A27CGE30CA024 | | | N | 16-24 | | |
| DP30P4 | A27CGE30CA040 | | | P | 24-40 | | |
| DP30L5 | A27CGE30DA010 | 30 | 575 | L | 6-10 | 120 | 5 - 15 |
| DP30M5 | A27CGE30DA016 | | | M | 10-16 | | |
| DP30N5 | A27CGE30DA024 | | | N | 16-24 | | |
| DP30P5 | A27CGE30DA040 | | | P | 24-40 | | |
| DP30R5 | A27CGE30DA057 | | | R | 40-57 | | |
| DP40L2 | A27CGE40BA010 | 40 | 208-230 | L | 6-10 | 240 | 1.5 - 10 |
| DP40M2 | A27CGE40BA016 | | | M | 10-16 | | |
| DP40N2 | A27CGE40BA024 | | | N | 16-24 | | |
| DP40P2 | A27CGE40BA040 | | | P | 24-40 | | |
| DP40L4 | A27CGE40CA010 | 40 | 460 | L | 6-10 | 200 | 5 - 20 |
| DP40M4 | A27CGE40CA016 | | | M | 10-16 | | |
| DP40N4 | A27CGE40CA024 | | | N | 16-24 | | |
| DP40P4 | A27CGE40CA040 | | | P | 24-40 | | |
| DP40L5 | A27CGE40DA010 | 40 | 575 | L | 6-10 | 160 | 5 - 20 |
| DP40M5 | A27CGE40DA016 | | | M | 10-16 | | |
| DP40N5 | A27CGE40DA024 | | | N | 16-24 | | |
| DP40P5 | A27CGE40DA040 | | | P | 24-40 | | |

Identificación y resolución de problemas



DESCONECTE Y BLOQUEE LA CORRIENTE ELÉCTRICA ANTES INTENTAR DAR SERVICIO. DE LO CONTRARIO, SE PUEDE PRODUCIR ELECTROCHOQUE, QUEMADURAS O LA MUERTE.

| Síntoma | Causa probable | Acción recomendada |
|--|--|---|
| EL MOTOR DE LA BOMBA NO ESTÁ FUNCIONADO | 1. Se disparó el protector térmico del motor a. Caja de control incorrecta b. Conexiones eléctricas incorrectas o defectuosas c. Protector térmico defectuoso d. Baja tensión e. La temperatura ambiente de la caja de control/arrancador es demasiado alta f. La bomba está atascada con materias extrañas g. Sumersión inadecuada | 1. Deje que el motor se enfríe, el protector térmico se reposicionará automáticamente a - e. Solicite que un electricista calificado inspeccione y repare, según sea requerido. f. Retire la bomba, límpiela, ajústela, fije la profundidad según sea requerido g. Confirme la sumersión adecuada de la unidad en el agua bombeada |
| | 2. Cortacircuitos abierto o fusible quemado | 2. Solicite que un electricista calificado inspeccione y repare, según sea requerido. |
| | 3. La fuente de energía es inadecuada para la carga | 3. Verifique el suministro o la capacidad del generador |
| | 4. Daño del aislamiento del cable de alimentación | 4 - 5. Solicite que un electricista calificado inspeccione y repare, según sea requerido. |
| | 5. Empalme defectuoso del cable de alimentación | |
| LA BOMBA ENTREGA POCO O NADA DE LÍQUIDO | 1. Válvula de retención defectuosa o instalada incorrectamente | 1. Inspeccione la válvula de retención, repárela según sea necesario |
| | 2. La bomba está atascada con aire | 2. Arranque y detenga la bomba sucesivamente hasta que haya flujo |
| | 3. Elevación demasiado alta para la bomba | 3. Verifique el rendimiento de la unidad, consulte con agente |
| | 4. La bomba está atascada con materias extrañas | 4. Retire la bomba, límpiela ajústela, fije la profundidad según sea requerido |
| | 5. La bomba no está completamente sumergida | 5. Verifique la recuperación del pozo, baje la bomba si es posible |
| | 6. El pozo contiene demasiado aire o gases | 6. Si los arranques y paradas sucesivos no solucionan el problema, el pozo contiene demasiado aire o gases |
| | 7. Desgaste excesivo de la bomba | 7. Retire y repare la bomba, según sea necesario |
| | 8. Rotación incorrecta del motor - unidades trifásicas únicamente. | 8. Invierta dos conductores eléctricos cualesquiera del motor |



Pompes submersibles de 4 po

DIRECTIVES D'INSTALLATION, D'UTILISATION ET D'ENTRETIEN

Informations pour le propriétaire

N° de modèle de la pompe: _____

N° de série de la pompe: _____

N° de modèle du moteur: _____

N° de série du moteur: _____

Détaillant: _____

N° de téléphone du détaillant:

Date d'achat: _____

Date d'installation: _____

Tension (V): _____

Intensité (A): _____

Table des matières

| SUJET | PAGE |
|---|-------------|
| Consignes de sécurité | 46 |
| Protection de la pome..... | 47 |
| Préparatifs d'installation | 48 |
| 1. Installations types | 49 |
| 2. Tuyauterie et réservoir..... | 50 |
| 3. Alimentation électrique, câblage et jonction | 52 |
| 4. Connexion de la boîte de commande et du pressostat | 53 |
| 5. Mise en service de la pompe | 56 |
| 6. Documentation et manuel | 56 |
| Données sur les moteurs CentriPro de 1 Ø, de 4 po | 57 |
| Calibres de fil des moteurs CentriPro de 1 Ø, à 2 ou 3 fils..... | 58 |
| PumpSaver | 58 |
| Schémas de câblage..... | 19-20 |
| Données sur les moteurs CentriPro de 3 Ø, 60 Hz | 59-60 |
| Longueur maximale des câbles de moteur de 3 Ø..... | 61 |
| Données techniques | 62 |
| Valeurs de résistance d'isolement du moteur | 62 |
| Utilisation d'une génératrice | 63 |
| Démarrateurs triphasés..... | 64 |
| Diagnostic de anomalies | 65 |
| Garantie Limitée du Consommateur | 68 |

CONSIGNES DE SÉCURITÉ

AFIN DE PRÉVENIR LES BLESSURES GRAVES OU MORTELLES ET LES DOMMAGES MATÉRIELS IMPORTANTS, SUIVRE CHAQUE CONSIGNE DE SÉCURITÉ FIGURANT DANS LE MANUEL ET SUR LA POMPE.

LE PRÉSENT MANUEL A POUR BUT DE FACILITER L'INSTALLATION ET L'UTILISATION DE LA POMPE ET DOIT ÊTRE CONSERVÉ PRÈS DE CELLE-CI.



Le symbole ci-contre est un **SYMBOLE DE SÉCURITÉ** employé pour signaler les mots-indicateurs dont on trouvera la description ci-dessous. Sa présence sert à attirer l'attention afin d'éviter les blessures et les dommages matériels.



Prévient des risques qui **VONT** causer des blessures graves, la mort ou des dommages matériels importants.



Prévient des risques qui **PEUVENT** causer des blessures graves, la mort ou des dommages matériels importants.



Prévient des risques qui **PEUVENT** causer des blessures ou des dommages matériels.

AVIS: SERT À ÉNONCER LES DIRECTIVES SPÉCIALES DE GRANDE IMPORTANCE QUE L'ON DOIT SUIVRE.

LIRE SOIGNEUSEMENT CHAQUE DIRECTIVE ET AVERTISSEMENT AVANT D'EFFECTUER TOUT TRAVAIL SUR LA POMPE.

N'ENLEVER AUCUNE DÉCALCOMANIE DE SÉCURITÉ.

Avis important : lire les consignes de sécurité avant de procéder au câblage.



L'installation électrique doit être entièrement effectuée par un technicien qualifié. Il faut toujours suivre les prescriptions du code provincial ou national de l'électricité pertinent et les règlements locaux. Adresser toute question relative au code à un inspecteur en électricité. Le non-respect du code et des politiques de santé et de sécurité au travail peut entraîner des blessures et des dommages matériels. L'observation des directives d'installation fournies par le fabricant peut se traduire par un choc électrique, un incendie, des blessures ou la mort, ainsi que par des dommages matériels, des performances non satisfaisantes et l'annulation de la garantie du fabricant.



Les pompes standard ne sont pas conçues pour les piscines, l'eau libre, les liquides dangereux ni les gaz inflammables. Aérer le puits selon les codes locaux. *La plaque signalétique de la pompe et les feuillets du catalogue de pompes listent les organismes de normalisation.*



Verrouiller la source de courant en position hors circuit avant l'installation ou l'entretien des dispositifs électriques. Le protecteur thermique de certains moteurs coupe le courant lorsqu'il y a surcharge thermique et le rétablit automatiquement, redémarrant ainsi la pompe inopinément.



Pour le système et le réservoir, ne jamais utiliser une pression excédant la pression nominale maximale de ce dernier, afin de ne pas l'endommager, annuler la garantie ni constituer un grave danger.



Ce produit peut vous exposer à des produits chimiques, incluant le plomb, reconnus par l'État de la Californie comme pouvant être cancérigènes, causer des anomalies congénitales ou d'autres problèmes de reproduction. Pour plus d'informations : www.P65Warnings.ca.gov.

- ⚠ AVERTISSEMENT** Protéger le réservoir des éclaboussures et des excès d'humidité pour prévenir la corrosion et les risques. Lire les étiquettes du réservoir et le manuel pour plus de détails.
- ⚠ AVERTISSEMENT** Ne pas lever, transporter ni suspendre la pompe par le câble d'alimentation : l'endommagement du câble pourrait causer un choc électrique, des brûlures ou la mort.
- ⚠ AVERTISSEMENT** N'utiliser que du fil de cuivre torsadé pour l'alimentation et la mise à la terre du moteur et de la pompe. Le calibre du fil de terre doit être au moins égal à celui des fils d'alimentation. Les fils devraient tous être chromocodés pour faciliter l'entretien et le diagnostic des anomalies.
- ⚠ DANGER** Poser le fil de terre et les autres fils suivant les prescriptions du code provincial ou national de l'électricité pertinent et les règlements locaux.
- ⚠ AVERTISSEMENT** Installer un sectionneur tout conducteur si le code l'exige.
- ⚠ AVERTISSEMENT** Le nombre de phases et la tension d'alimentation doivent convenir à tout l'équipement. Un nombre de phases et une tension inappropriés annulent la garantie et peuvent causer un incendie et des dommages au moteur et aux commandes.
- ⚠ AVERTISSEMENT** Chaque jonction de fils doit être étanche. Si l'on emploie un nécessaire de jonction («kit»), suivre les directives du fabricant.
- ⚠ AVERTISSEMENT** Choisir la boîte de jonction du type et de la classe NEMA convenant au type et au lieu d'utilisation. La boîte doit assurer une jonction de fils sûre et étanche.
- ⚠ ATTENTION** Pour que la pompe fonctionne correctement, en immerger le clapet de non-retour à une profondeur minimale de 5 pi.
- ⚠ AVERTISSEMENT** Omettre la mise à la terre permanente de la pompe, du moteur et des commandes avant le branchement à la source de courant peut causer un choc électrique, des brûlures ou la mort.
- ⚠ ATTENTION** Les commandes triphasées des pompes submersibles doivent assurer une protection rapide de classe 10 contre la surcharge.
- ⚠ AVERTISSEMENT** Pour bien refroidir tout moteur de 4 po de 2 hp et plus, s'assurer que la vitesse d'écoulement minimale de l'eau autour du moteur est de 0,25 pi/s (7,62 cm/s). Donc, le débit minimal nécessaire au refroidissement du moteur en fonction du calibre du tubage devrait être : 1,2 gal US/min pour 4 po ; 7 pour 5 po ; 13 pour 6 po ; 20 pour 7 po ; 30 pour 8 po et 50 pour 10 po.
- ⚠ ATTENTION** Si une pompe de 2 hp et plus est utilisée dans un grand réservoir, on devrait la placer dans un manchon d'accélération pour obtenir la vitesse d'écoulement ou le débit nécessaires au bon refroidissement du moteur.
- ⚠ ATTENTION** La pompe submersible de 4 po a été évaluée pour le pompage de l'eau seulement.

PROTECTION DE LA POMPE – La protection PumpSaver de SymCom est recommandée contre les : bas niveau d'eau, fonctionnement cyclique rapide, débit restreint ou nul, surtension, sous-tension et surintensité.

PRÉPARATIFS D'INSTALLATION

- Inscrire en deuxième page les informations pour le propriétaire au sujet de la pompe, du moteur, etc.
- Inspecter tous les composants pour s'assurer qu'ils n'ont pas été endommagés durant le transport. S'ils l'ont été, en aviser le distributeur immédiatement.
- Vérifier si la puissance du moteur (en hp) convient à la pompe.
- S'assurer que la tension d'alimentation et le nombre de phases sont appropriés au moteur et aux commandes.
- Installer les commandes dans un endroit sec et ombragé.
- Effectuer la jonction des fils immergés ou enfouis avec des connecteurs étanches.
- Étant donné que la tête de refoulement de la plupart des pompes est vissée à gauche, immobiliser la tête et non la pompe pour éviter de dévisser la tête au moment d'y fixer le tuyau ou le raccord-adaptateur.
- S'assurer que tous les raccords et accessoires de plomberie sont bien serrés et étanchés avec du ruban de Téflon.
- Vérifier si la pression nominale de la tuyauterie est supérieure à la pression d'arrêt de la pompe.
- Si la pression du système peut dépasser 75 lbf/po², poser une soupape de décharge. La pression ne peut excéder la pression nominale max. du réservoir.
- L'emplacement du réservoir et de la commande en un lieu protégé des pluies acides, de l'air salin et des éclaboussures peut en augmenter la durée.
- Pour empêcher le cliquetis répétitif du pressostat, ne pas le poser à plus de 4 pi du réservoir à pression.
- Régler la pression de l'air précomprimé du réservoir à 2 lbf/po² de moins que la pression de démarrage de la pompe, soit à 28 lbf/po² pour une plage de pression de service de 30 à 50 lbf/po² par exemple.
- L'emplacement du réservoir et de la commande en un lieu protégé des pluies acides, de l'air salin et des éclaboussures peut en augmenter la durée.
- Placer la pompe à au moins 10 pi du fond du puits pour prévenir l'aspiration de sédiments et de débris.
- S'assurer que le disjoncteur principal ou le sectionneur sont HORS circuit avant de câbler les composants.
- Le câblage devrait être effectué uniquement par un technicien qualifié.
- Le câblage et la mise à la terre doivent être conformes au code provincial ou national pertinent et aux règlements locaux.
- Diminuer la section de passage du tuyau avec un robinet à tournant sphérique ou à soupape ouvert à peu près au tiers ($\frac{1}{3}$) avant de mettre la pompe en marche pour la première fois.
- Ouvrir un robinet de puisage ou de vidange au moment du démarrage de la pompe pour purger l'eau sale afin qu'elle ne puisse entrer dans le réservoir.
- Mettre le disjoncteur principal ou le sectionneur EN circuit.
- Faire fonctionner la pompe durant quelques cycles pour vérifier le fonctionnement du pressostat.
- Vérifier l'intensité (A) du courant et l'inscrire en deuxième page.
- Remettre le manuel au propriétaire ou le laisser près de la pompe.

1. INSTALLATIONS TYPES

INSTALLATION À RÉSERVOIR À AIR CAPTIF

AVIS : ON DOIT UTILISER LA VALVE À AIR COMPRIMÉ SITUÉE SUR LE DES-SUS DU RÉSERVOIR POUR RÉGLER LA PRESSION D'AIR DE CELUI-CI.

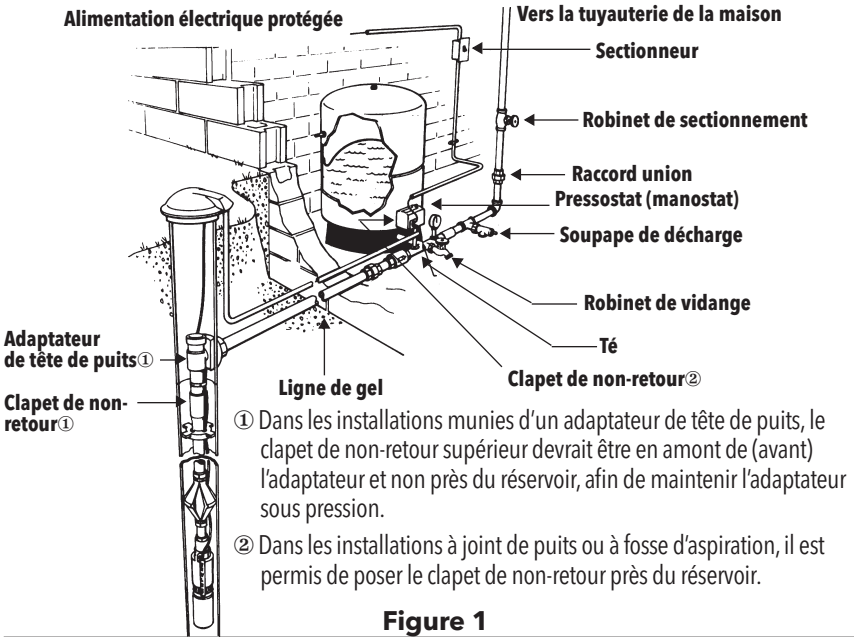


Figure 1

INSTALLATION À RÉSERVOIR GALVANISÉ

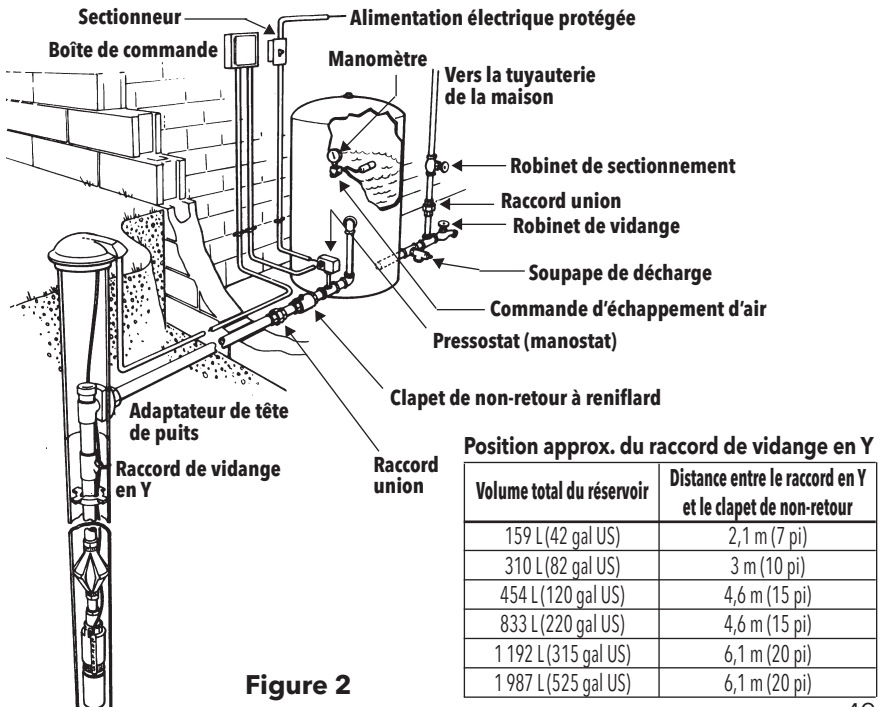


Figure 2

2. TUYAUTERIE ET RÉSERVOIR

Avis: la tête de refoulement de la majorité des pompes submersibles de 4 po est vissée à gauche. Immobiliser la pompe uniquement par la «tête de refoulement» pour y fixer tout raccord ou tuyau fileté.

ATTENTION



Les pressions dangereuses peuvent causer des blessures et des dommages matériels.

2.1. Généralités

Le calibre de la tuyauterie de refoulement devrait être choisi pour permettre le rendement optimal de la pompe. Calculer la hauteur manométrique totale en tenant compte des divers calibres de tuyau figurant dans les tables de perte de charge. En règle générale, on choisit le débit maximal selon le calibre: 10 gal US/min pour 1 po, 30 pour 1¼ po, 45 pour 1½ po et 80 pour 2 po. Si la tuyauterie est longue, il vaut mieux accroître le calibre.

Étant donné que certaines pompes produisent une pression de refoulement très élevée, choisir le tuyau en conséquence. Consulter un fournisseur de tuyaux pour déterminer le meilleur type de tuyau pour chaque installation.

DANGER



Ne pas placer le réservoir en un lieu non protégé du jet d'un système d'irrigation, car il en résulterait la corrosion du réservoir et tôt ou tard l'explosion de celui-ci, pouvant causer des dommages matériels, de graves blessures, voire la mort.

2.2. Réservoir à pression, pressostat et soupape de décharge

Pour l'installation du réservoir, du pressostat et de la soupape de décharge, choisir un endroit sec où la température dépassera toujours 1 °C (34°F) et où aucune fuite ne pourra causer de dommages matériels.

Pour empêcher le cliquetis répétitif du pressostat, on devrait le poser près du té du réservoir, mais jamais à plus de 4 pi de celui-ci.

Ne poser entre le pressostat et le réservoir ni robinet, ni clapet de non-retour, ni filtre, ni raccord produisant une perte de charge (par frottement) élevée. Par exemple, la perte de charge d'un clapet à ressort de 1¼ po équivaut à une longueur de tuyau additionnelle de 12 pi. Donc, placer le clapet entre un réservoir et un pressostat reviendrait à les écarter de 12 pi de plus et à causer le cliquetis répétitif de ce dernier.

Dans les installations à réservoirs multiples, on devrait poser le presso-stat aussi près que possible du centre des réservoirs. Afin de réduire la hauteur équivalente de perte de charge (par frottement) dans le tuyau collecteur-répartiteur et d'empêcher le pressostat de cliqueter à répétition, on devrait employer un collecteur-répartiteur de calibre 1½ fois supérieur à celui du tuyau de refoulement de la pompe.

Une soupape de décharge est requise dans tout système ayant une pression supérieure à 100 lbf/po² ou une HMT supérieure à 230 pi. Si l'éjection de fluide par la soupape peut causer des dommages, en relier la sortie à un tuyau d'évacuation approprié avec une conduite.

2.3. Réglage de la pression de l'air précomprimé du réservoir

S'assurer que le réservoir est vide. Utiliser un manomètre de haute qualité pour vérifier la pression de l'air précomprimé du réservoir. Celle-ci devrait être inférieure de 2 lbf/po² à la pression de démarrage de la pompe. Par exemple, elle serait de 28 lbf/po² dans un système dont la pression de service est de 30 à 50 lbf/po².

2.4. Tuyau de refoulement et clapet de non-retour

Nota : la plupart des têtes de refoulement sont vissées à gauche. Pour fixer un raccord ou un tuyau sur la pompe, n'immobiliser celle-ci que par la tête de refoulement pour ne pas desserrer la pompe et risquer de l'abîmer au démarrage.

Si le tuyau de refoulement requiert un adaptateur, il est fortement recommandé d'en poser un en inox. Pour prévenir la corrosion galvanique, on ne devrait jamais fixer de raccords, de tuyaux ni d'accessoires de tuyauterie galvanisés directement sur la tête de refoulement. À ce sujet, aucun matériau de fabrication n'est interdit pour les têtes de refoulement en plastique ou en laiton. Les raccords à barbillons devraient toujours être assujettis avec deux colliers de serrage.

La tête de refoulement possède un œil de fixation pour câble de sécurité. Le câble est recommandé quand on utilise un tuyau en polypropylène, qui s'allonge lorsqu'il est sous pression ou plein d'eau.

2.5. Assemblez l'extrémité de pompe à Moteur

Retirez le dispositif protecteur de câble de la pompe (extrémité de l'eau). Attachez l'extrémité de l'eau

au moteur alignant les cannelures de couplage sur les cannelures sur l'axe de moteur. Importante: el acoplador se debe bajar totalmente sobre el eje del motor, hace girar el eje del motor para controlar para saber si hay la rotación libre. Asegure las cuatro tuercas del motor en un modelo de alternancia en 13 pie-libras. Aligned les fils dans le dispositif protecteur de câble, placez le protecteur bleu de fil à l'intérieur du dispositif protecteur de câble à l'extrémité supérieure de la pompe pour le passe-fils. Le protecteur bleu de fil doit être entre les fils et l'extrémité de pompe. Rattachez le dispositif protecteur de câble à l'extrémité de l'eau en veillant à ne pas pincer les fils de moteur.

2.6. Mise en place de la pompe

Si l'on emploie un dispositif antitorsion, le poser selon les directives du fabricant du dispositif. Pour plus de détails, consulter le vendeur du dispositif.

Raccorder le tuyau de refoulement à l'adaptateur ou à la tête de refoulement de la pompe. Les raccords à barbillons devraient toujours être assujettis avec deux colliers de serrage. Poser un adaptateur de tête de puits ou autre dispositif du même type pour y raccorder le tuyau de refoulement de la pompe. S'adresser au fabricant ou au vendeur de l'adaptateur ou du dispositif en question pour obtenir les directives d'installation pertinentes.

Avec du ruban isolant (chatterton) étanche, fixer les fils d'alimentation au tuyau de refoulement à tous les 10 pi. Les fournisseurs de pompes vendent des attaches encliquetables à cette fin.

2.7. Accessoires de tuyauterie spéciaux pour systèmes à réservoir galvanisé

Lorsque l'on utilise un réservoir galvanisé, on devrait poser un raccord de vidange en Y AV11 dans le puits et un clapet de non-retour à reniflard au réservoir. On permettra ainsi l'entrée d'air dans le réservoir pour empêcher le réservoir de trop s'emplir d'eau. Poser une commande d'échappement d'air AA4 sur le réservoir pour en laisser sortir l'excès d'air. La distance entre l'AV11 et le clapet de non-retour à reniflard détermine la quantité d'air admise à chaque démarrage. Voir la distance recommandée dans la figure 2.

Si le puits dégage du gaz, il est préférable de munir le réservoir en acier vitrifié ou galvanisé d'une commande d'échappement d'air AA4 pour évacuer le surplus d'air et en prévenir le «jaillissement» du robinet.

On doit soumettre l'eau contenant du méthane ou tout gaz explosif ou dangereux à un traitement spécial permettant d'éliminer le gaz en question sans danger. À cet effet, consulter un spécialiste du traitement de l'eau.

Quant aux puits alimentés par le haut, il faudrait poser un manchon d'accélération de l'écoulement de l'eau autour de la pompe.

2.8. Clapets de non-retour

Quatre types de clapets de non-retour sont utilisés. Ces clapets sont recommandés pour empêcher le liquide de redescendre dans la pompe et de faire ainsi tourner le moteur et la pompe en sens inverse, ce qui en provoquerait l'usure prématurée des roulements et des coussinets. En outre, les clapets préviennent les dom-

mages dus aux coups de bélier et aux poussées axiales. Un clapet de non-retour supplémentaire devrait être posé à tous les 200 pi sur le tronçon vertical du tuyau de refoulement. Voir les textes 1 et 2 de la figure 1

pour les autres positions recommandées.

Si l'on veut mettre un clapet de non-retour hors service pour vidanger le système, on devrait employer un autre moyen, et ce, afin de prévenir les dommages dus aux coups de bélier et aux poussées axiales:

- **Clapets de non-retour intégrés en inox** – ils possèdent une surface plane que l'on peut facilement perforer avec une perceuse électrique et un foret de ¼ ou de ⅜ po.
- **Clapets de non-retour à ressort vissés sur la tête de refoulement** – leur obturateur peut s'enlever facilement de son moyeu à l'aide d'une douille ou d'un tournevis à douille de ½ po, que l'on introduit par le haut.
- **Clapets de non-retour internes en plastique du type Flomatic^{MC} à ressort** – ils doivent être enlevés et requièrent donc le démontage de la pompe.
- **Clapets de non-retour intégrés en plastique à tige accessible par le haut de la tête de refoulement** – on peut les enlever en tirant sur leur tige avec une pince.



3. ALIMENTATION ÉLECTRIQUE, CÂBLAGE ET JONCTION

On doit toujours suivre les prescriptions du code provincial ou national de l'électricité pertinent et les règlements locaux.

Il est suggéré de n'utiliser que du fil de cuivre. En choisir le calibre à l'aide des tables appropriées ci-dessous, du manuel MAID (*Motor Application and Installation Data*) ou du code provincial ou national de l'électricité. En cas de divergence, le code de l'électricité pertinent prévaut.

3.1. Jonction du câble d'alimentation aux fils de moteur

Il est nécessaire que la jonction des fils de moteur au câble d'alimentation soit étanche. Le joint peut être effectué avec une gaine isolante thermorétractibles ou du ruban isolant étanche.

A. Joints à gaine isolante thermorétractible

Pour employer le nécessaire de jonction type à gaines thermorétractibles: dénuder les fils sur une longueur de ½ po (il vaut mieux échelonner les joints), y enfiler une gaine isolante (une par joint), joindre les fils de moteur aux fils de câble d'alimentation correspondants avec un raccord à sertir, sertir les extrémités de chaque raccord, puis recouvrir celui-ci avec la gaine et chauffer cette dernière à partir du centre. Les gaines contiennent un produit d'étanchéité et une colle dont l'excédent sortira par les extrémités de la gaine pendant son rétrécissement. L'ensemble forme un joint étanche, très résistant.

B. Joints à ruban isolant étanche

a) Dénuder les fils sur une longueur suffisante pour y poser un raccord tubulaire (type préférable). Si le raccord est trop mince, l'épaissir en y enroulant du chatterton en caoutchouc jusqu'à ce qu'il ait le même diamètre que la gaine du fil.

b) Enrouler chaque joint de deux couches de chatterton en caoutchouc: enrouler le ruban de

façon aussi serrée que possible pour empêcher la formation de bulles d'air, la première couche dépassant de deux pouces chaque extrémité de la gaine isolante, et la seconde, de deux pouces chaque extrémité de la première couche de chatterton.

c) Enrouler deux couches – comme à l'étape b) précédente – de chatterton Scotch n° 33 ou l'équivalent sur le chatterton en caoutchouc, chaque couche dépassant la précédente d'au moins deux pouces.

S'il s'agit d'un câble d'alimentation trifilaire (à 3 fils) à gaine unique, séparer chaque fil de façon à éche-lonner les joints, puis isoler ceux-ci avec du ruban de la manière précitée.

L'épaisseur totale du ruban isolant ne devrait pas être inférieure à celle de la gaine du fil.



4. CONNEXION DE LA BOÎTE DE COMMANDE ET DU PRESSOSTAT

4.1. Pose de la boîte de commande

Les boîtes de commande trifilaires monophasées satisfont aux exigences UL relatives aux boîtiers du type 3R. Elles peuvent être montées à la verticale, à l'intérieur comme à l'extérieur, et fonctionnent entre -10 et 50°C (14 et 122°F). Choisir un endroit ombragé, sec et suffisamment dégagé pour permettre la dépose du couvercle.

4.2. Vérification de la tension et mise hors tension du système

S'assurer que la tension d'entrée du moteur et la tension d'alimentation sont identiques.

Mettre le disjoncteur ou le sectionneur HORS circuit pour prévenir le démarrage accidentel de la pompe avant qu'elle soit prête à mettre en service.

Les bobines de démarreur triphasé sont très sensibles à la tension. On doit donc toujours vérifier la tension d'alimentation réelle avec un voltmètre.

Une basse ou une haute tension de variation supérieure à $\pm 10\%$ endommagera le moteur et les commandes et n'est pas couverte par la garantie.



4.3. Connexion des fils de moteur à la boîte de commande, au pressostat, au démarreur

Mise en garde : ne pas brancher l'appareil au secteur ni mettre la pompe en marche tant que les connexions électriques et hydrauliques n'ont pas toutes été effectuées. S'assurer que le disjoncteur ou le sectionneur est HORS circuit avant de connecter les fils du pressostat à la source d'alimentation électrique. Suivre toutes les prescriptions du code provincial ou national de l'électricité pertinent. Employer un sectionneur quand le code l'exige.

A. Moteurs monophasés à trois fils

Brancher les fils de moteur chromocodés sur les bornes de la boîte de commande comme suit : le jaune sur Y, le rouge sur R, le noir sur B et le vert (ou le fil dénudé) sur la vis de terre (verte).

Connecter les fils reliant les bornes «Charge» du pressostat aux bornes L1 et L2 de la boîte de commande.

Relier la borne de terre du pressostat à celle de la boîte de commande par un fil de terre. Voir la figure 4 ou 5.

B. Moteurs monophasés à deux fils

Connecter les fils de moteur noirs aux bornes «Charge» et le vert (ou le fil dénudé) à la vis de terre (verte) du pressostat. La PumpTec (F.E.) ne peut servir avec les CentriPro à 2 fils. Utiliser une PumpSaver. Voir la figure 3.

C. Moteurs triphasés

Brancher les fils de moteur sur les bornes T1, T2 et T3 du démarreur triphasé. Connecter le fil de terre à la borne de terre (dans le démarreur). Pour brancher le pressostat, suivre les directives du fabricant du démarreur ou voir la figure 6.



4.4. Connexion à la source d'alimentation électrique

S'il s'agit d'une alimentation monophasée, finir le câblage en reliant les bornes «Ligne» du pressostat à celles du panneau de disjoncteurs ou du sectionneur, selon le cas.

Alimentation triphasée – relier les bornes L1, L2, L3 et de terre du démarreur à celles du sectionneur, puis au panneau de disjoncteurs.

Dans les installations à moteur triphasé, on doit vérifier si le moteur tourne dans le bon sens et s'il y a une différence de phases. Pour inverser le sens de rotation, intervertir deux fils de moteur. Voir les directives de vérification du déséquilibre du courant triphasé à 4.6. La non-vérification de la différence de phases peut causer la défaillance prématurée du moteur et le déclenchement intempestif du limiteur de

surcharge. Si l'on emploie une génératrice, voir les données techniques sur son utilisation.

4.5 Protection contre la surcharge en triphasé

Employer uniquement des protections contre la surcharge rapides de classe 10 avec les moteurs submersibles triphasés. Voir les démarreurs définis de but en ce manuel.

Si l'on a besoin d'aide pour choisir la protection, s'adresser au fabricant de la pompe.

4.6. Déséquilibre du courant triphasé

Un circuit d'alimentation électrique entièrement triphasé est recommandé. Il peut être constitué de trois transformateurs distincts ou d'un transformateur triphasé. On peut aussi utiliser deux transformateurs montés en étoile ou en triangle « ouverts », mais il est possible qu'un tel montage crée un déséquilibre de courant se traduisant par des performances médiocres, le déclenchement intempestif du limiteur de surcharge et la défaillance prématurée du moteur.

Vérifier l'intensité du courant sur chacun des trois fils de moteur, puis calculer le déséquilibre du courant.

Si le déséquilibre est de 2 % ou moins, ne pas changer la connexion des fils.

S'il dépasse 2 %, on devrait vérifier l'intensité du courant sur chaque conducteur, dans les trois montages possibles ci-dessous. Afin de maintenir le sens de rotation du moteur, suivre l'ordre numérique indiqué dans chaque montage pour la connexion des fils de moteur.

Pour calculer le pourcentage de déséquilibre du courant :

- A. Faire l'addition des trois intensités mesurées sur les conducteurs.
- B. Diviser le total par 3 pour obtenir l'intensité moyenne.
- C. Prendre l'écart d'intensité le plus grand par rapport à la moyenne.
- D. Soustraire cet écart de la moyenne.
- E. Diviser la différence par la moyenne, puis multiplier le résultat par 100 pour obtenir le pourcentage de déséquilibre.

Le déséquilibre de courant ne devrait pas excéder 5 %. Si le déséquilibre persiste en connectant les fils de moteur dans l'ordre numérique indiqué, on doit en trouver la cause et l'éliminer. Si, dans les

| | 1 ^{er} montage | | | 2 ^e montage | | | 3 ^e montage | | |
|---------------------|-------------------------|----|----|------------------------|----|----|------------------------|----|----|
| Bornes de démarreur | L1 | L2 | L3 | L1 | L2 | L3 | L1 | L2 | L3 |
| | ⊥ | ⊥ | ⊥ | ⊥ | ⊥ | ⊥ | ⊥ | ⊥ | ⊥ |
| | ⊥ | ⊥ | ⊥ | ⊥ | ⊥ | ⊥ | ⊥ | ⊥ | ⊥ |
| Fils de moteur | R | B | Y | Y | R | B | B | Y | R |
| | T3 | T1 | T2 | T2 | T3 | T1 | T1 | T2 | T3 |

Exemples :

| | | |
|----------------------|----------------------|----------------------|
| T3-R = 51 A | T2-Y = 50 A | T1-B = 50 A |
| T1-B = 46 A | T3-R = 48 A | T2-Y = 49 A |
| T2-Y = 53 A | T1-B = 52 A | T3-R = 51 A |
| Total = <u>150 A</u> | Total = <u>150 A</u> | Total = <u>150 A</u> |
| ÷ 3 = 50 A | ÷ 3 = 50 A | ÷ 3 = 50 A |
| - 46 A = 4 A | - 48 A = 2 A | - 49 A = 1 A |
| 4 ÷ 50 = 0,08 ou 8 % | 2 ÷ 50 = 0,04 ou 4 % | 1 ÷ 50 = 0,02 ou 2 % |

trois montages, l'écart d'intensité le plus grand par rapport à la moyenne est toujours mesuré sur le même conducteur, la cause du déséquilibre vient surtout de la source d'alimentation.

On s'adressera alors à la société d'électricité pour rectifier le déséquilibre de courant.



5. MISE EN SERVICE DE LA POMPE

5.1 Pose d'un robinet et clarification de l'eau

Nouveau puits – Poser sur le tuyau de refoulement un robinet à soupape ou à tournant sphérique, l'entrouvrir au tiers, pomper l'eau jusqu'à ce qu'elle devienne plus claire, ouvrir le robinet lentement pour vérifier le débit et, une fois l'eau devenue limpide, arrêter la pompe.

Déposer le robinet et raccorder le tuyau de refoulement à la tuyauterie de la maison, au réservoir à pression et au pressostat. Faire fonctionner la pompe durant quelques cycles pour rincer l'intérieur du réservoir, vérifier le bon fonctionnement de la pompe et du pressostat et s'assurer que tous les joints de la tuyauterie sont étanches.

MISE EN GARDE: si le niveau statique du puits est élevé, voir les informations sur la protection de la pompe à 5.2.



5.2. Étranglement prévenant les poussées axiales avec un niveau statique élevé

Tout puits ayant un niveau statique élevé peut entraîner le fonctionnement de la pompe en dehors de la «plage de performances

recommandée». Il est donc suggéré d'employer un réducteur de débit Dole ou un robinet à tournant sphérique pour étrangler la section de passage du tuyau de refoulement et empêcher les dommages à la pompe et au moteur dus aux poussées axiales. On doit maintenir le débit maximal dans la plage de fonctionnement recommandée de la pompe. Si l'on utilise un robinet à tournant sphérique, en régler l'ouverture, en enlever la poignée et l'attacher au tuyau avec du ruban adhésif, puis fixer au robinet une étiquette volante portant la mention: «Ne pas ouvrir ce robinet, car cela pourrait endommager la pompe.» La manière la plus simple de «régler» le débit est de remplir un contenant de 5 gallons US, de mesurer le temps nécessaire à son remplissage, puis de se baser sur ce temps pour calculer le débit (en gal US/min). À mesure que le niveau du puits baisse, la hauteur de charge augmente, réduisant le débit et neutralisant l'effet d'étranglement pouvant altérer les performances.

6. DOCUMENTATION ET MANUEL

Remplir la section «Informations pour le propriétaire» en deuxième page, puis remettre le présent manuel au propriétaire, ainsi qu'une carte d'affaires. La pose d'un autocollant portant le nom et le numéro de téléphone du détaillant sur le réservoir ou la boîte de commande est un excellent outil de promotion des affaires!

Une nouvelle étiquette fournit les informations sur la pompe. On peut l'apposer au manuel ou à une boîte de commande à 3 fils, ou bien la placer près du réservoir ou du pressostat.

GÉNÉRATION II - À 2 FILS, 4 po DONNÉES ÉLECTRIQUES MONOPHASÉ, 60 HERTZ, 3450 T/MN

| Type | N° de catalogue | hp | kW | V | FS | À pleine charge | | Avec FS* | | A avec rotor bloqué | Résistance d'enroulement | Code kV-A |
|--------------|-----------------|------|------|-----|-----|-----------------|------|----------|------|---------------------|--------------------------|-----------|
| | | | | | | A | W | A | W | | | |
| 2-fils (PSC) | M05421 | 0,5 | 0,37 | 115 | 1,6 | 7,9 | 910 | 9,8 | 1120 | 28 | 1,4-2,0 | H |
| | M05422 | 0,5 | 0,37 | 230 | 1,6 | 4,0 | 845 | 4,7 | 1050 | 16 | 6,1-7,2 | J |
| | M07422 | 0,75 | 0,55 | 230 | 1,5 | 5,0 | 1130 | 6,2 | 1400 | 18 | 5,9-6,9 | F |
| | M10422 | 1,0 | 0,75 | 230 | 1,4 | 6,7 | 1500 | 8,1 | 1800 | 24 | 4,2-5,2 | F |
| | M15422 | 1,5 | 1,1 | 230 | 1,3 | 9,0 | 2000 | 10,4 | 2350 | 43 | 1,8-2,4 | H |

GÉNÉRATION II - À 3 FILS, 4 po DONNÉES ÉLECTRIQUES MONOPHASÉ, 60 HERTZ, 3450 T/MN

| Type | N° de catalogue | hp | kW | V | FS | À pleine charge | | Avec FS* | | A avec rotor bloqué | Résistance d'enroulement | | Boîte de comm. requise ¹ |
|--|-----------------|------|------|-----|------|-------------------------------|------|-------------------------------|------|---------------------|--------------------------|-------------------------|-------------------------------------|
| | | | | | | A | W | A | W | | Enroul. princ. N-J(Ω) | Enroul. démarr., R-J(Ω) | |
| | | | | | | | | | | | | | |
| 3-fils avec le cadre rapide de début de condensateur | M05411 | 0,5 | 0,37 | 230 | 1,6 | J(8,8) N(8,8) R(0) | 675 | J(10,9) N(10,9) R(0) | 980 | 44 | 1,0-1,4 | 2,5-3,1 | CB05411 |
| | M05412 | 0,5 | 0,37 | | 1,6 | J(5,3) N(5,3) R(0) | 740 | J(6,1) N(6,1) R(0) | 1050 | 21 | 5,1-6,1 | 12,4-13,7 | CB05412 |
| | M07412 | 0,75 | 0,55 | | 1,5 | J(6,6) N(6,6) R(0) | 970 | J(7,8) N(7,8) R(0) | 1350 | 32 | 2,6-3,3 | 10,4-11,7 | CB07412 |
| | M10412 | 1,0 | 0,75 | | 1,4 | J(8,1) N(8,1) R(0) | 1215 | J(9,4) N(9,4) R(0) | 1620 | 41 | 2,0-2,6 | 9,3-10,4 | CB10412 |
| 3-fils avec CSCR (CR) ou boîte de contrôle magnétique de contacteur (MC) | M05412 | 0,5 | 0,37 | 230 | 1,6 | J(4,2) N(4,1) R(1,8) | 715 | J(4,8) N(4,3) R(1,8) | 960 | 21 | 1,0-1,4 | 2,5-3,1 | CB05412CR |
| | M07412 | 0,75 | 0,55 | | 1,5 | J(4,8) N(4,4) R(2,5) | 940 | J(6,0) N(4,9) R(2,3) | 1270 | 32 | 5,1-6,1 | 12,4-13,7 | CB07412CR |
| | M10412 | 1,0 | 0,75 | | 1,4 | J(6,1) N(5,2) R(2,7) | 1165 | J(7,3) N(5,8) R(2,6) | 1540 | 41 | 2,6-3,3 | 10,4-11,7 | CB10412CR |
| | M15412 | 1,5 | 1,1 | | 1,3 | J(9,1) N(8,2) R(2,0) | 1660 | J(10,9) N(9,4) R(1,9) | 2130 | 49 | 2,0-2,6 | 9,3-10,4 | CB15412CR or CB15412MC |
| | M20412 | 2 | 1,5 | | 1,25 | J(9,9) N(9,1) R(2,6) | 2170 | J(12,2) N(11,7) R(2,6) | 2660 | 49 | 1,6-2,2 | 10,8-12,0 | CB20412CR or CB20412MC |
| | M30412 | 3 | 2,2 | | 1,15 | J(14,3) N(12,0) R(5,7) | 3170 | J(16,5) N(13,9) R(5,6) | 3620 | 76 | 1,1-1,4 | 2,0-2,5 | CB30412CR or CB30412MC |
| | M50412 | 5 | 3,7 | | 1,15 | J(24,0) N(19,1) R(10,2) | 5300 | J(27,0) N(22,0) R(10,0) | 6030 | 101 | ,62- ,76 | 1,36-1,66 | CB50412CR or CB50412MC |

¹ Une boîte de contrôle de CSCR avec un suffixe de CR peut être remplacée par une fin magnétique de modèle de contacteur dans MC.

J = fil jaune, N = fil noir, R = fil rouge

4 POUCE PREMIUM - MOTEURS MONOPHASÉS À 2 FILS

(Toutes les générations)

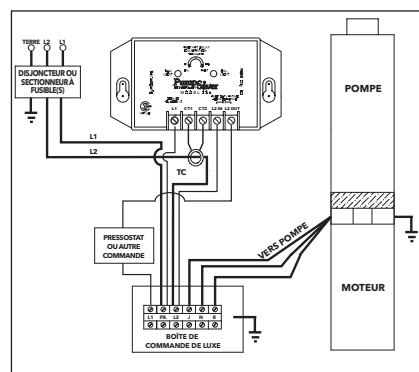
| Longueur des fils de moteur Faradyne CAP à 2 fils, fondée sur : A avec facteur de surcharge, chute de tension de 5% et température ambiante de 30 °C | | | | | | | | | | | | | | | |
|---|----|------|-----|------|-----|-----|------|------|------|------|------|-------|-------|------|------|
| Moteur | | | | | | | | | | | | | | | |
| V | hp | kW | FLA | AFS | 14 | 12 | 10 | 8 | 6 | 4 | 2 | 1/0 | 2/0 | 3/0 | 4/0 |
| 115 | ½ | 0,37 | 8,1 | 10,2 | 107 | 171 | 273 | 432 | 672 | 1071 | 1700 | 2703 | 3411 | 4305 | 5424 |
| 230 | ½ | 0,37 | 4,3 | 4,8 | 457 | 726 | 1158 | 1835 | 2855 | 4551 | 7225 | 11489 | | | |
| | ¾ | 0,55 | 5,0 | 6,4 | 342 | 545 | 869 | 1376 | 2141 | 3413 | 5419 | 8617 | 10871 | | |
| | 1 | 0,75 | 6,7 | 8,2 | 241 | 383 | 611 | 968 | 1506 | 2400 | 3811 | 6060 | 7646 | 9652 | |
| | 1½ | 1,1 | 9,1 | 10,5 | 199 | 317 | 505 | 801 | 1246 | 1986 | 3153 | 5013 | 6325 | 7985 | |

GÉNÉRATION II, 3-FILE-S, 4" 1Ø, RECOMMANDÉ LONGUEURS DE FIL

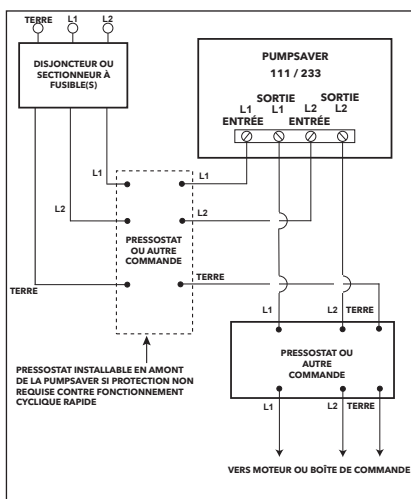
| Longueur des fils de moteur CentriPro ICD à 3 fils, fondée sur : A avec facteur de surcharge, chute de tension de 5% et température ambiante de 30 °C | | | | | | | | | | | | | | | |
|--|----|------|------|------|--|-----|-----|------|------|------|------|------|------|------|------|
| Moteur | | | | | Calibre AWG, fils en cuivre, isolation pour 60 °C et 75 °C | | | | | | | | | | |
| V | hp | kW | FLA | AFS | 14 | 12 | 10 | 8 | 6 | 4 | 2 | 1/0 | 2/0 | 3/0 | 4/0 |
| 115 | ½ | 0,37 | 8,8 | 10,9 | 101 | 160 | 255 | 404 | 629 | 1002 | 1591 | 2530 | 3192 | 4029 | 5076 |
| 230 | ½ | 0,37 | 5,3 | 6,1 | 359 | 571 | 912 | 1444 | 2246 | 3581 | 5685 | 9040 | - | - | - |
| | ¾ | 0,55 | 6,6 | 7,8 | 281 | 447 | 713 | 1129 | 1757 | 2800 | 4446 | 7070 | 8920 | - | - |
| | 1 | 0,75 | 8,1 | 9,4 | 233 | 371 | 592 | 937 | 1458 | 2324 | 3689 | 5867 | 7402 | - | - |
| | 1½ | 1,1 | 9,1 | 10,9 | 201 | 320 | 510 | 808 | 1257 | 2004 | 3182 | 5059 | 6383 | - | - |
| | 2 | 1,5 | 9,9 | 12,2 | 180 | 286 | 456 | 722 | 1123 | 1790 | 2843 | 4520 | 5703 | - | - |
| | 3 | 2,2 | 14,3 | 16,5 | 133 | 211 | 337 | 534 | 830 | 1324 | 2102 | 3342 | 4217 | 5323 | - |
| | 5 | 3,7 | 24 | 27 | - | - | 206 | 326 | 507 | 809 | 1284 | 2042 | 2577 | 3253 | - |

AFS = courant avec facteur de surcharge

PUMPSAVER 235



PUMPSAVER 111 / 233



CENTRIPRO TRIPHASÉ, 4 po, DONNÉES DE MOTEUR

EFFICACITÉ, ESTIMATION DE POUSSÉE, FUSIBLE/DISJONCTEUR, CODES DE KVA

| Modèle | hp | V | Efficacité % | | Esti- ma- tion de pous- sée | Code kV-A | Fusible standard | | Fusible de DE-TD | | Disjoncteur | |
|---------|------|-----|--------------|------------------------------|--|--------------|--|---|--|---|--|---|
| | | | F.L. | Facteur de sur- charge | | | La NEC de ras- semble- ments a basé FLA | La valeur maxi- male a basé SFA | La NEC de ras- semble- ments a basé FLA | La valeur maxi- male a basé SFA | La NEC de ras- semble- ments a basé FLA | La valeur maxi- male a basé SFA |
| | | | | | | | | | | | | |
| M05430 | 0,5 | 200 | 62 | 68 | 700 # | R | 10 | 15 | 6 | 10 | 10 | 10 |
| M07430 | 0,75 | | 69 | 74 | | R | 15 | 15 | 10 | 15 | 10 | 15 |
| M10430 | 1 | | 66 | 70 | | M | 15 | 20 | 10 | 10 | 10 | 15 |
| M15430 | 1,5 | | 72 | 74 | 900 # | L | 20 | 25 | 10 | 15 | 15 | 20 |
| M20430 | 2 | | 74 | 75 | | K | 25 | 30 | 15 | 20 | 20 | 25 |
| M30430 | 3 | | 77 | 77 | | K | 35 | 40 | 20 | 25 | 30 | 35 |
| M50430 | 5 | | 76 | 76 | | J | 60 | 70 | 35 | 40 | 50 | 60 |
| M75430 | 7,5 | | 74 | 74 | | J | 80 | 90 | 50 | 60 | 70 | 80 |
| M05432 | 0,5 | 230 | 61 | 68 | 700 # | R | 6 | 10 | 6 | 6 | 6 | 10 |
| M07432 | 0,75 | | 66 | 71 | | R | 6 | 15 | 6 | 10 | 6 | 10 |
| M10432 | 1 | | 69 | 72 | | M | 10 | 15 | 6 | 10 | 10 | 15 |
| M15432 | 1,5 | | 75 | 76 | 900 # | K | 15 | 20 | 10 | 15 | 15 | 20 |
| M20432 | 2 | | 75 | 75 | | K | 15 | 25 | 15 | 15 | 20 | 20 |
| M30432 | 3 | | 77 | 77 | | J | 25 | 35 | 15 | 20 | 25 | 30 |
| M50432 | 5 | | 76 | 76 | | J | 45 | 60 | 30 | 35 | 40 | 45 |
| M75432 | 7,5 | | 75 | 75 | | J | 70 | 80 | 45 | 50 | 60 | 70 |
| M05434 | 0,5 | 460 | 61 | 68 | 700 # | R | 3 | 6 | 3 | 3 | 3 | 6 |
| M07434 | 0,75 | | 69 | 73 | | R | 3 | 10 | 6 | 6 | 3 | 6 |
| M10434 | 1 | | 65 | 69 | | M | 6 | 10 | 3 | 6 | 6 | 10 |
| M15434 | 1,5 | | 72 | 73 | 900 # | K | 10 | 10 | 6 | 6 | 6 | 10 |
| M20434 | 2 | | 74 | 75 | | L | 15 | 15 | 6 | 10 | 10 | 10 |
| M30434 | 3 | | 76 | 77 | | J | 15 | 20 | 10 | 10 | 15 | 15 |
| M50434 | 5 | | 77 | 77 | | J | 25 | 30 | 15 | 20 | 15 | 25 |
| M75434 | 7,5 | | 76 | 76 | | 1500 # | L | 40 | 50 | 25 | 30 | 30 |
| M100434 | 10 | | 79 | 80 | K | | 45 | 60 | 25 | 35 | 35 | 45 |
| M15437 | 1,5 | | 575 | 73 | 74 | 700 # | J | 6 | 10 | 3 | 6 | 6 |
| M20437 | 2 | 78 | | 78 | 900 # | M | 10 | 10 | 6 | 6 | 10 | 10 |
| M30437 | 3 | 78 | | 78 | | J | 10 | 15 | 10 | 10 | 10 | 15 |
| M50437 | 5 | 74 | | 75 | 1500 # | M | 20 | 25 | 15 | 15 | 20 | 20 |
| M75437 | 7,5 | 77 | | 77 | | J | 25 | 35 | 20 | 20 | 25 | 30 |

MOTEURS TRIPHASÉS DE 4 po

Données électriques – 60 Hz, 3 450 r/min

| Modèle | hp | kW | V | À pleine charge | | | Avec FS* | | A avec rotor bloqué | Ligne à ligne (Ω) |
|---------|------|------|------|-----------------|------|------|----------|------|---------------------|-------------------|
| | | | | FS* | A | W | A | W | | |
| M05430 | 0,5 | 0,37 | 200 | 1,6 | 2,9 | 600 | 3,4 | 870 | 22 | 4,1 à 5,2 |
| M07430 | 0,75 | 0,55 | | 1,5 | 3,8 | 812 | 4,5 | 1140 | 32 | 2,6 à 3,0 |
| M10430 | 1 | 0,75 | | 1,4 | 4,6 | 1150 | 5,5 | 1500 | 29 | 3,4 à 3,9 |
| M15430 | 1,5 | 1,1 | | 1,3 | 6,3 | 1560 | 7,2 | 1950 | 40 | 1,9 à 2,5 |
| M20430 | 2 | 1,5 | | 1,25 | 7,5 | 2015 | 8,8 | 2490 | 51 | 1,4 à 2,0 |
| M30430 | 3 | 2,2 | | 1,15 | 10,9 | 2890 | 12,0 | 3290 | 71 | 0,9 à 1,3 |
| M50430 | 5 | 3,7 | | 1,15 | 18,3 | 4850 | 20,2 | 5515 | 113 | 0,4 à 0,8 |
| M75430 | 7,5 | 5,5 | | 1,15 | 27 | 7600 | 30,0 | 8800 | 165 | 0,5 à 0,6 |
| M05432 | 0,5 | 0,37 | 230 | 1,6 | 2,4 | 610 | 2,9 | 880 | 17,3 | 5,7 à 7,2 |
| M07432 | 0,75 | 0,55 | | 1,5 | 3,3 | 850 | 3,9 | 1185 | 27 | 3,3 à 4,3 |
| M10432 | 1 | 0,75 | | 1,4 | 4,0 | 1090 | 4,7 | 1450 | 26,1 | 4,1 à 5,1 |
| M15432 | 1,5 | 1,1 | | 1,3 | 5,2 | 1490 | 6,1 | 1930 | 32,4 | 2,8 à 3,4 |
| M20432 | 2 | 1,5 | | 1,25 | 6,5 | 1990 | 7,6 | 2450 | 44 | 1,8 à 2,4 |
| M30432 | 3 | 2,2 | | 1,15 | 9,2 | 2880 | 10,1 | 3280 | 58,9 | 1,3 à 1,7 |
| M50432 | 5 | 3,7 | | 1,15 | 15,7 | 4925 | 17,5 | 5650 | 93 | 0,85 à 1,25 |
| M75432 | 7,5 | 5,5 | | 1,15 | 24 | 7480 | 26,4 | 8570 | 140 | 0,55 à 0,85 |
| M05434 | 0,5 | 0,37 | 460 | 1,6 | 1,3 | 610 | 1,5 | 875 | 9 | 23,6 à 26,1 |
| M07434 | 0,75 | 0,55 | | 1,5 | 1,7 | 820 | 2,0 | 1140 | 14 | 14,4 à 16,2 |
| M10434 | 1 | 0,75 | | 1,4 | 2,2 | 1145 | 2,5 | 1505 | 13 | 17,8 à 18,8 |
| M15434 | 1,5 | 1,1 | | 1,3 | 2,8 | 1560 | 3,2 | 1980 | 16,3 | 12,3 à 13,1 |
| M20434 | 2 | 1,5 | | 1,25 | 3,3 | 2018 | 3,8 | 2470 | 23 | 8,0 à 8,67 |
| M30434 | 3 | 2,2 | | 1,15 | 4,8 | 2920 | 5,3 | 3320 | 30 | 5,9 à 6,5 |
| M50434 | 5 | 3,7 | | 1,15 | 7,6 | 4810 | 8,5 | 5530 | 48 | 3,58 à 4,00 |
| M75434 | 7,5 | 5,5 | | 1,15 | 12,2 | 7400 | 13,5 | 8560 | 87 | 1,9 à 2,3 |
| M100434 | 10 | 7,5 | 1,15 | 15,6 | 9600 | 17,2 | 11000 | 110 | 1,8-2,2 | |
| M15437 | 1,5 | 1,1 | 575 | 1,3 | 2,0 | 1520 | 2,4 | 1950 | 11,5 | 19,8 à 20,6 |
| M20437 | 2 | 1,5 | | 1,25 | 2,7 | 1610 | 3,3 | 2400 | 21 | 9,4 à 9,7 |
| M30437 | 3 | 2,2 | | 1,15 | 3,7 | 2850 | 4,1 | 3240 | 21,1 | 9,4 à 9,7 |
| M50437 | 5 | 3,7 | | 1,15 | 7,0 | 5080 | 7,6 | 5750 | 55 | 3,6 à 4,2 |
| M75437 | 7,5 | 5,5 | | 1,15 | 9,1 | 7260 | 10,0 | 8310 | 55 | 3,6 à 4,2 |

* FS = facteur de surcharge

CALIBRES DE FIL DES MOTEURS TRIPHASÉS DE 4 po

| Longueur des fils de moteurs triphasés fondée sur : A avec facteur de surcharge, chute de tension de 5% et température ambiante de 30 °C | | | | | | | | | | | | | | | | | |
|--|------|------|------|------|--|------|------|------|------|------|------|------|------|------|------|------|-------|
| Moteur | | | | | Calibre AWG, fils en cuivre, isolation pour 60 °C et 75 °C | | | | | | | | | | | | |
| V | hp | kW | APC* | AFS* | 14 | 12 | 10 | 8 | 6 | 4 | 3 | 2 | 1 | 0 | 00 | 000 | 0000 |
| 200 | 0,5 | 0,37 | 3,8 | 2,9 | 657 | 1045 | 1667 | 2641 | 4109 | | | | | | | | |
| | 0,75 | 0,55 | 3,8 | 4,5 | 423 | 674 | 1074 | 1702 | 2648 | | | | | | | | |
| | 1 | 0,75 | 4,6 | 5,5 | 346 | 551 | 879 | 1392 | 2166 | 3454 | 4342 | | | | | | |
| | 1,5 | 1,1 | 6,3 | 7,2 | 265 | 421 | 672 | 1064 | 1655 | 2638 | 3317 | | | | | | |
| | 2 | 1,5 | 7,5 | 8,8 | 217 | 344 | 549 | 870 | 1354 | 2158 | 2714 | 3427 | 4317 | 5449 | | | |
| | 3 | 2,2 | 10,9 | 12,0 | 159 | 253 | 403 | 638 | 993 | 1583 | 1990 | 2513 | 3166 | 3996 | | | |
| | 5 | 3,7 | 18,3 | 20,2 | 94 | 150 | 239 | 379 | 590 | 940 | 1182 | 1493 | 1881 | 2374 | 2995 | 3781 | 4764 |
| | 7,5 | 5,5 | 27 | 30,0 | 64 | 101 | 161 | 255 | 397 | 633 | 796 | 1005 | 1266 | 1598 | 2017 | 2546 | 3207 |
| 230 | 0,5 | 0,37 | 2,4 | 2,9 | 756 | 1202 | 1917 | 3037 | 4725 | 7532 | 9469 | | | | | | |
| | 0,75 | 0,55 | 3,3 | 3,9 | 562 | 894 | 1426 | 2258 | 3513 | 5601 | 7041 | 8892 | | | | | |
| | 1 | 0,75 | 4 | 4,7 | 466 | 742 | 1183 | 1874 | 2915 | 4648 | 5843 | 7379 | | | | | |
| | 1,5 | 1,1 | 5,2 | 6,1 | 359 | 571 | 912 | 1444 | 2246 | 3581 | 4502 | 5685 | 7162 | 9040 | | | |
| | 2 | 1,5 | 6,5 | 7,6 | 288 | 459 | 732 | 1159 | 1803 | 2874 | 3613 | 4563 | 5748 | 7256 | 9155 | | |
| | 3 | 2,2 | 9,2 | 10,1 | 217 | 345 | 551 | 872 | 1357 | 2163 | 2719 | 3434 | 4326 | 5460 | 6889 | 8696 | 10956 |
| | 5 | 3,7 | 15,7 | 17,5 | | | 318 | 503 | 783 | 1248 | 1569 | 1982 | 2496 | 3151 | 3976 | 5019 | 6323 |
| | 7,5 | 5,5 | 24 | 26,4 | | | | 334 | 519 | 827 | 1040 | 1314 | 1655 | 2089 | 2635 | 3327 | 4192 |
| 460 | 0,5 | 0,37 | 1,3 | 1,5 | 2922 | 4648 | 7414 | | | | | | | | | | |
| | 0,75 | 0,55 | 1,7 | 2,0 | 2191 | 3486 | 5560 | 8806 | | | | | | | | | |
| | 1 | 0,75 | 2,2 | 2,5 | 1753 | 2789 | 4448 | 7045 | | | | | | | | | |
| | 1,5 | 1,1 | 2,8 | 3,2 | 1370 | 2179 | 3475 | 5504 | | | | | | | | | |
| | 2 | 1,5 | 3,3 | 3,8 | 1153 | 1835 | 2926 | 4635 | 7212 | | | | | | | | |
| | 3 | 2,2 | 4,8 | 5,3 | 827 | 1315 | 2098 | 3323 | 5171 | | | | | | | | |
| | 5 | 3,7 | 7,6 | 8,5 | 516 | 820 | 1308 | 2072 | 3224 | 5140 | | | | | | | |
| | 7,5 | 5,5 | 12,2 | 13,5 | 325 | 516 | 824 | 1305 | 2030 | 3236 | 4068 | 5138 | 6472 | | | | |
| 575 | 10 | 7,5 | | | | | | | | | | | | | | | |
| | 1,5 | 1,1 | 2,0 | 2,4 | 2283 | 3631 | 5792 | | | | | | | | | | |
| | 2 | 1,5 | 2,7 | 3,3 | 1660 | 2641 | 4212 | 6671 | | | | | | | | | |
| | 3 | 2,2 | 3,7 | 4,1 | 1336 | 2126 | 3390 | 5370 | | | | | | | | | |
| | 5 | 3,7 | 7,0 | 7,6 | 721 | 1147 | 1829 | 2897 | 4507 | | | | | | | | |
| 7,5 | 5,5 | 9,1 | 10,0 | 548 | 871 | 1390 | 2202 | 3426 | | | | | | | | | |

* AFS courant (A) avec facteur de surcharge, APC = courant (A) à pleine charge.

Données techniques

VALEURS DE RÉSISTANCE D'ISOLEMENT DU MOTEUR

Valeurs mesurées normalement en ohms et en mégohms entre chaque fil de moteur et le fil de terre, et ce, pour TOUS les moteurs.

⚠ ATTENTION Pour mesurer la résistance d'isolement, mettre le disjoncteur hors circuit et débrancher tous les fils du pressostat ou de la boîte de commande (à déconnexion rapide). Brancher un fil de l'ohmmètre à un fil de moteur et l'autre, au tuyau de re foulement en métal descendant dans le puits ou à une bonne prise de terre. **Échelle «R x 100K»**

| État du moteur et des fils | Ohms | Mégohms |
|--|----------------------|-------------|
| Moteur neuf, sans câble d'alimentation | 20 000 000 (et plus) | 20,0 |
| Moteur usagé réutilisable (en puits) | 10 000 000 (et plus) | 10,0 |
| Moteur en puits – valeurs mesurées : câble d'alimentation plus moteur | | |
| Moteur neuf | 2 000 000 (et plus) | 2,0 |
| Moteur dans un état raisonnablement bon | 500 000 à 2 000 000 | 0,5 à 2,0 |
| Moteur ou câble d'aliment. peut-être endommagé <i>Ne pas sortir la pompe du puits pour cela.</i> | 20 000 à 500 000 | 0,02 à 0,5 |
| Moteur ou câble d'alimentation endommagé <i>Sortir la pompe du puits et effectuer les réparations.</i> | 10 000 à 20 000 | 0,01 à 0,02 |
| Moteur ou câble d'alimentation défectueux <i>Sortir la pompe du puits et effectuer les réparations.</i> | Moins de 10 000 | 0 à 0,01 |

Utilisation d'une génératrice

⚠ DANGER



Les tensions dangereuses peuvent causer un choc électrique, des brûlures ou la mort.

AVEC LES GÉNÉRATRICES DE SECOURS OU DE RÉSERVE, UTILISER UN COMMUTATEUR DE TRANSFERT MANUEL OU AUTOMATIQUE POUR PRÉVENIR LES CHOCS ÉLECTRIQUES, LES BRÛLURES ET LA MORT. SUIVRE LES DIRECTIVES DU FABRICANT. LES DONNÉES «2 FILS...» VISENT LES MOTEURS À CAP. LES 2 FILS DE MOTEUR À ENROULEMENT AUXILIAIRE DE DÉMARRAGE DEVRAIENT ÊTRE 50% PLUS GROS QUE LE CALIBRE NOMINAL POUR LES «3 FILS...».

| Moteur | hp | Puissance nominale minimale de la génératrice | | | |
|---|------|---|------|----------------------|------|
| | | À régulation externe | | À régulation interne | |
| | | kW | kV-A | kW | kV-A |
| 2 fils, 1 Ø, à CAP (condensat. auxiliaire permanent) | 0,5 | 2,5 | 3,1 | 1,8 | 2,2 |
| | 0,75 | 3,5 | 4,4 | 2,5 | 3,1 |
| | 1 | 5 | 6,3 | 3,2 | 4 |
| | 1,5 | 6 | 7,5 | 4 | 5 |
| 3 fils, 1 Ø ou 3 Ø | 0,5 | 2 | 2,5 | 1,5 | 1,9 |
| | 0,75 | 3 | 3,8 | 2 | 2,5 |
| | 1 | 4 | 5 | 2,5 | 3,2 |
| | 1,5 | 5 | 6,3 | 3 | 3,8 |
| | 2 | 7,5 | 9,4 | 4 | 5 |
| | 3 | 10 | 12,5 | 5 | 6,3 |
| | 5 | 15 | 18,8 | 7,5 | 9,4 |
| | 7,5 | 20 | 25 | 10 | 12,5 |
| 10 | 30 | 37,5 | 15 | 18,8 | |

DÉMARREURS TRIPHASÉS DE BUT DÉFINI AVEC DES SURCHARGES RÉGLABLES

| Ordre de CentriPro N° | Numéro de référence d'Eaton | Maximum ampères | Tension d'alimentation | O.L. Relais | Chaîne de surcharge | Maximum LRA | Intervalle typique de HP |
|-----------------------|-----------------------------|-----------------|------------------------|-------------|---------------------|-------------|--------------------------|
| DP25D2 | A27CGC25BA2P4 | 25 | 208-230 | D | 1.6-2.4 | 150 | .5 - 5 |
| DP25E2 | A27CGC25BA004 | | | E | 2.4-4 | | |
| DP25F2 | A27CGC25BA006 | | | F | 4-6 | | |
| DP25G2 | A27CGC25BA010 | | | G | 6-10 | | |
| DP25H2 | A27CGC25BA016 | | | H | 10-16 | | |
| DP25J2 | A27CGC25BA024 | | | J | 16-24 | | |
| DP25C4 | A27CGC25CA1P6 | 25 | 460 | C | 1-1.6 | 125 | .5 - 10 |
| DP25D4 | A27CGC25CA2P4 | | | D | 1.6-2.4 | | |
| DP25E4 | A27CGC25CA004 | | | E | 2.4-4 | | |
| DP25F4 | A27CGC25CA006 | | | F | 4-6 | | |
| DP25G4 | A27CGC25CA010 | | | G | 6-10 | | |
| DP25H4 | A27CGC25CA016 | | | H | 10-16 | | |
| DP25J4 | A27CGC25CA024 | J | 16-24 | | | | |
| DP25E5 | A27CGC25DA004 | 25 | 575 | E | 2.4-4 | 100 | 1.5 - 10 |
| DP25F5 | A27CGC25DA006 | | | F | 4-6 | | |
| DP25G5 | A27CGC25DA010 | | | G | 6-10 | | |
| DP25H5 | A27CGC25DA016 | | | H | 10-16 | | |
| DP30L2 | A27CGE30BA010 | 30 | 208-230 | L | 6-10 | 180 | 1.5 - 7.5 |
| DP30M2 | A27CGE30BA016 | | | M | 10-16 | | |
| DP30N2 | A27CGE30BA024 | | | N | 16-24 | | |
| DP30P2 | A27CGE30BA040 | | | P | 24-40 | | |
| DP30L4 | A27CGE30CA010 | 30 | 460 | L | 6-10 | 150 | 5 - 20 |
| DP30M4 | A27CGE30CA016 | | | M | 10-16 | | |
| DP30N4 | A27CGE30CA024 | | | N | 16-24 | | |
| DP30P4 | A27CGE30CA040 | | | P | 24-40 | | |
| DP30L5 | A27CGE30DA010 | 30 | 575 | L | 6-10 | 120 | 5 - 15 |
| DP30M5 | A27CGE30DA016 | | | M | 10-16 | | |
| DP30N5 | A27CGE30DA024 | | | N | 16-24 | | |
| DP30P5 | A27CGE30DA040 | | | P | 24-40 | | |
| DP30R5 | A27CGE30DA057 | | | R | 40-57 | | |
| DP40L2 | A27CGE40BA010 | 40 | 208-230 | L | 6-10 | 240 | 1.5 - 10 |
| DP40M2 | A27CGE40BA016 | | | M | 10-16 | | |
| DP40N2 | A27CGE40BA024 | | | N | 16-24 | | |
| DP40P2 | A27CGE40BA040 | | | P | 24-40 | | |
| DP40L4 | A27CGE40CA010 | 40 | 460 | L | 6-10 | 200 | 5 - 20 |
| DP40M4 | A27CGE40CA016 | | | M | 10-16 | | |
| DP40N4 | A27CGE40CA024 | | | N | 16-24 | | |
| DP40P4 | A27CGE40CA040 | | | P | 24-40 | | |
| DP40L5 | A27CGE40DA010 | 40 | 575 | L | 6-10 | 160 | 5 - 20 |
| DP40M5 | A27CGE40DA016 | | | M | 10-16 | | |
| DP40N5 | A27CGE40DA024 | | | N | 16-24 | | |
| DP40P5 | A27CGE40DA040 | | | P | 24-40 | | |

Diagnostic de anomalies

⚠ DANGER



Les tensions dangereuses peuvent causer un choc électrique, des brûlures ou la mort.

OMETTRE LE VERROUILLAGE DU DISJONCTEUR DU CIRCUIT ÉLECTRIQUE EN POSITION OUVERTE (HORS CIRCUIT) AVANT D'EFFECTUER TOUT TRAVAIL D'ENTRETIEN SUR LA POMPE PEUT CAUSER UN CHOC ÉLECTRIQUE, DES BRÛLURES ET LA MORT.

| Anomalies | Causes probables | Correctifs recommandés |
|---|--|--|
| NON-FONCTIONNEMENT DU MOTEUR DE LA POMPE | 1. Protecteur thermique du moteur déclenché a) Boîte de commande inappropriée b) Connexions électriques défectueuses ou incorrectes c) Protecteur thermique défectueux d) Basse tension électrique e) Température ambiante trop élevée pour la boîte de commande ou le démarreur f) Pompe bloquée par un corps étranger g) Hauteur d'immersion inappropriée | 1. Laisser le moteur refroidir, et le protecteur thermique s'enclenchera de nouveau automatiquement. a) à e) Faire inspecter l'appareil par un électricien et effectuer les réparations requises. f) Sortir la pompe du puits, la nettoyer et la redescendre à la hauteur d'immersion requise. g) Confirmer la bonne hauteur d'immersion dans le liquide pompé. |
| | 2. Disjoncteur ouvert ou fusible sauté | 2. Faire inspecter l'appareil par un électricien et effectuer les réparations requises. |
| | 3. Alimentation électrique inappropriée à la charge | 3. Vérifier la puissance électrique du circuit d'alimentation ou de la génératrice. |
| | 4. Gaine du câble d'alimentation endommagée | 4. et 5. Faire inspecter l'appareil par un électricien et effectuer les réparations requises. |
| | 5. Jonction du câble d'alimentation défectueuse | |
| DÉBIT DE REFOULEMENT FAIBLE OU NUL | 1. Clapet de non-retour défectueux ou mal posé | 1. Inspecter le clapet de non-retour et le réparer au besoin. |
| | 2. Poche d'air dans la pompe | 2. Démarrer et arrêter la pompe à répétition jusqu'à ce que son débit soit bon. |
| | 3. Hauteur d'aspiration trop élevée pour la pompe | 3. Vérifier les performances de l'appareil et consulter le détaillant. |
| | 4. Pompe bloquée par un corps étranger | 4. Sortir la pompe du puits, la nettoyer et la redescendre à la hauteur d'immersion requise. |
| | 5. Pompe non entièrement immergée | 5. Vérifier la remontée du niveau du puits et immerger la pompe davantage si c'est possible. |
| | 6. Présence excessive d'air ou de gaz dans le puits | 6. Si le démarrage et l'arrêt répétitifs de la pompe ne résolvent pas le problème, il y a trop d'air ou de gaz dans le puits. |
| | 7. Usure excessive de la pompe | 7. Retirer la pompe du puits et effectuer les réparations requises. |
| | 8. Mauvais sens de rotation du moteur (en triphasé seulement) | 8. Intervertir deux fils du moteur. |

LIMITED CONSUMER WARRANTY

For goods sold for personal, family or household purposes, Seller warrants the goods purchased hereunder (with the exception of membranes, seals, gaskets, elastomer materials, coatings and other "wear parts" or consumables all of which are not warranted except as otherwise provided in the quotation or sales form) will be free from defects in material and workmanship for a period of thirty-six (36) months from date of installation or forty-two (42) months from date of manufacture, whichever period is shorter, on **standard duty 4" submersible pumps**. The warranty period on **GS Xtreme Series 4" submersible pumps** is twelve (12) months from date of installation or eighteen (18) months from date of manufacture, whichever period is shorter.

Except as otherwise required by law, Seller shall, at its option and at no cost to Buyer, either repair or replace any product which fails to conform with the Warranty provided Buyer gives written notice to Seller of any defects in material or workmanship within ten (10) days of the date when any defects or non-conformance are first manifest. Under either repair or replacement option, Seller shall not be obligated to remove or pay for the removal of the defective product or install or pay for the installation of the replaced or repaired product and Buyer shall be responsible for all other costs, including, but not limited to, service costs, shipping fees and expenses. Seller shall have sole discretion as to the method or means of repair or replacement. Buyer's failure to comply with Seller's repair or replacement directions shall terminate Seller's obligations under this Warranty and render this Warranty void. Any parts repaired or replaced under the Warranty are warranted only for the balance of the warranty period on the parts that were repaired or replaced. The Warranty is conditioned on Buyer giving written notice to Seller of any defects in material or workmanship of warranted goods within ten (10) days of the date when any defects are first manifest.

Seller shall have no warranty obligations to Buyer with respect to any product or parts of a product that have been: (a) repaired by third parties other than Seller or without Seller's written approval; (b) subject to misuse, misapplication, neglect, alteration, accident, or physical damage; (c) used in a manner contrary to Seller's instructions for installation, operation and maintenance; (d) damaged from ordinary wear and tear, corrosion, or chemical attack; (e) damaged due to abnormal conditions, vibration, failure to properly prime, or operation without flow; (f) damaged due to a defective power supply or improper electrical protection; or (g) damaged resulting from the use of accessory equipment not sold or approved by Seller. In any case of products not manufactured by Seller, there is no warranty from Seller; however, Seller will extend to Buyer any warranty received from Seller's supplier of such products.

THE FOREGOING WARRANTY IS PROVIDED IN PLACE OF ALL OTHER EXPRESS WARRANTIES. ALL IMPLIED WARRANTIES, INCLUDING BUT NOT LIMITED TO THE IMPLIED WARRANTIES OF MERCHANTABILITY AND FITNESS FOR A PARTICULAR PURPOSE, ARE LIMITED TO ONE (1) YEAR FROM THE DATE OF INSTALLATION OR EIGHTEEN (18) MONTHS FROM THE PRODUCT DATE CODE, WHICHEVER SHALL OCCUR FIRST. EXCEPT AS OTHERWISE REQUIRED BY LAW, BUYER'S EXCLUSIVE REMEDY AND SELLER'S AGGREGATE LIABILITY FOR BREACH OF ANY OF THE FOREGOING WARRANTIES ARE LIMITED TO REPAIRING OR REPLACING THE PRODUCT AND SHALL IN ALL CASES BE LIMITED TO THE AMOUNT PAID BY THE BUYER FOR THE DEFECTIVE PRODUCT. IN NO EVENT SHALL SELLER BE LIABLE FOR ANY OTHER FORM OF DAMAGES, WHETHER DIRECT, INDIRECT, LIQUIDATED, INCIDENTAL, CONSEQUENTIAL, PUNITIVE, EXEMPLARY OR SPECIAL DAMAGES, INCLUDING BUT NOT LIMITED TO LOSS OF PROFIT, LOSS OF ANTICIPATED SAVINGS OR REVENUE, LOSS OF INCOME, LOSS OF BUSINESS, LOSS OF PRODUCTION, LOSS OF OPPORTUNITY OR LOSS OF REPUTATION.

Some states do not allow limitations on how long an implied warranty lasts, so the above limitation may not apply to you. Some states do not allow the exclusion or limitation of incidental or consequential damages, so the above exclusions may not apply to you. This warranty gives you specific legal rights, and you may also have other rights which may vary from state to state.

To make a warranty claim, check first with the dealer from whom you purchased the product or visit www.xylem.com for the name and location of the nearest dealer providing warranty service.

GARANTÍA LIMITADA DEL CONSUMIDOR

Para mercadería vendida para fines personales, familiares o de vivienda, el Vendedor garantiza que la mercadería vendida conforme al presente (a excepción de membranas, sellos, juntas, materiales de elastómero, recubrimientos y otras "piezas de desgaste" o consumibles, que no están bajo garantía salvo que se especifique lo contrario en el presupuesto o formulario de ventas) estarán libres de defectos en los materiales o mano de obra durante un treinta y seis (36) meses a partir de la fecha de la instalación o cuarenta y dos (42) meses a partir de la fecha de la fabricación, cualquier período es más corto, en **bombas sumergibles del deber estándar 4 pulgadas**. El período de garantía en serie del **GS Xtreme las bombas sumergibles de 4 pulgadas** están doce (12) meses a partir de la fecha de la instalación o a dieciocho (18) meses a partir de la fecha de la fabricación, cualquier período es más corto.

Salvo que la ley establezca lo contrario, el Vendedor debe, según su opción y sin costo para el Comprador, reparar o reemplazar cualquier producto que no cumpla con la Garantía; siempre y cuando el Comprador le avise por escrito al Vendedor de cualquier defecto en el material o mano de obra en un plazo de diez (10) días desde la fecha de la primera manifestación del defecto o incumplimiento. Bajo la opción de reparación o reemplazo, el Vendedor no estará obligado a remover o pagar por la remoción del producto defectuoso, o instalar o pagar por la instalación del producto reemplazado o reparado y el Comprador será responsable de todos los demás costos, que incluyen, entre otros, costos de servicio, tarifas de envío y gastos. El método o el medio de reparación o reemplazo será a total discreción del Vendedor. Si el Comprador no cumple con las instrucciones de reparación o reemplazo del Vendedor, esto rescindirá las obligaciones del Vendedor conforme a la presente Garantía y anulará la misma. Cualquier parte reparada o reemplazada bajo la Garantía está bajo garantía solo por el saldo del período de garantía sobre las partes reparadas y reemplazadas. La Garantía está condicionada a que el Comprador le avise por escrito al Vendedor de cualquier defecto en el material o la mano de obra de la mercadería bajo garantía en un plazo de diez (10) días desde la fecha de la primera manifestación del defecto.

El Vendedor no tendrá obligaciones de garantía hacia el Comprador respecto de cualquier producto o partes de un producto que: (a) hayan sido reparados por terceros que no sean el Vendedor o sin la aprobación escrita del Vendedor; (b) hayan estado sujetos a usos indebidos, aplicaciones indebidas, negligencia, alteraciones, accidentes o daños físicos; (c) hayan sido usados de una manera contraria a las instrucciones del Vendedor para la instalación, operación y mantenimiento; (d) hayan sido dañados por desgaste, corrosión o ataque químico habituales; (e) hayan sido dañados por condiciones anormales, vibración, falta de cebado correcto u operación sin flujo; (f) hayan sido dañados por suministro eléctrico defectuoso o protección eléctrica indebida; o (g) hayan sido dañados por el uso de equipos accesorios no vendidos ni aprobados por el Vendedor. En el caso de productos no fabricados por el Vendedor, no habrá Garantía del Vendedor; sin embargo, el Vendedor transferirá al Comprador toda Garantía recibida del proveedor del Vendedor para dichos productos.

LA GARANTÍA ANTERIOR SE FORMULA EN LUGAR DE TODA OTRA GARANTÍA EXPRESA. TODAS LAS GARANTÍAS IMPLÍCITAS, INCLUYENDO, ENTRE OTRAS, LAS GARANTÍAS IMPLÍCITAS DE COMERCIABILIDAD Y APITUD PARA UN FIN EN PARTICULAR, SE LIMITAN A UN (1) AÑO A PARTIR DE LA FECHA DE INSTALACIÓN O DIECIOCHO (18) MESES DESDE EL CÓDIGO DE FECHA DEL PRODUCTO, DE LOS ANTERIORES EL QUE OCURRA PRIMERO. EXCEPTO SEGÚN LO DISPUESTO POR LA LEY EN SENTIDO CONTRARIO, EL RECURSO EXCLUSIVO DEL COMPRADOR Y LA RESPONSABILIDAD TOTAL DEL VENDEDOR POR INCUMPLIMIENTO DE CUALQUIERA DE LAS ANTERIORES GARANTÍAS SE LIMITAN A REPARAR O REEMPLAZAR EL PRODUCTO Y EN TODOS LOS CASOS SE LIMITARÁN AL MONTO PAGADO POR EL COMPRADOR POR EL PRODUCTO DEFECTUOSO. EN NINGÚN CASO EL VENDEDOR SERÁ RESPONSABLE DE CUALQUIER OTRO TIPO DE DAÑOS Y PERJUICIOS, YA SEAN DIRECTOS, INDIRECTOS, LIQUIDADOS, INCIDENTALES, CONSECUENTES, PUNITIVOS, EJEMPLARES O ESPECIALES, LOS QUE INCLUYEN, A TÍTULO ENUNCIATIVO Y NO LIMITATIVO, LUCRO CESANTE, PÉRDIDA DE AHORROS O INGRESOS ANTICIPADOS, PÉRDIDA DE INGRESOS, PÉRDIDA DE NEGOCIOS, PÉRDIDA DE PRODUCCIÓN, PÉRDIDA DE OPORTUNIDADES O PÉRDIDA DE REPUTACIÓN.

Algunos estados no permiten limitaciones sobre la extensión de una garantía implícita, por lo que las limitaciones anteriores pueden no corresponder para usted. Algunos estados no permiten la exclusión o limitación de daños y perjuicios incidentales o consecuentes, por lo que las exclusiones anteriores pueden no corresponder para usted. La presente garantía le otorga derechos legales específicos, y usted también puede tener otros derechos que pueden variar dependiendo del estado.

Para realizar un reclamo de garantía, primero verifique con el representante a quien le compró el producto o visite xxx.xyleminc.com para buscar el nombre y ubicación del representante más cercano que ofrezca servicio de garantía.

GARANTIE LIMITÉE DU CONSOMMATEUR

Pour les biens vendus à des fins personnelles, familiales ou domestiques, le Vendeur garantit que les biens achetés ci-après (avec l'exception des membranes, joints, joints d'étanchéité, matériaux élastomères, revêtements et autres « pièces d'usure » ou consommables qui ne sont pas garantis sauf si autrement indiqué dans la proposition ou le formulaire de ventes) seront exempts de tout défaut de matériaux ou de fabrication pour une période de un trente-six (36) mois de date d'installation ou quarante-deux (42) mois de date de fabrication, n'importe quelle période est plus courte, sur le **devoir standard pompes de sous-marin de 4 pouces**. La période de garantie sur la **série de GS Xtreme les pompes submersibles de 4 pouces** est à douze (12) mois de date d'installation ou à dix-huit (18) mois de date de fabrication, n'importe quelle période est plus courte.

Sauf mention contraire dans la loi, le Vendeur devra, à sa discrétion et sans frais pour l'Acheteur, soit réparer soit remplacer tout produit qui ne se conforme pas avec la Garantie en autant que l'Acheteur donne un avis écrit au Vendeur de tous défauts de matériaux ou de fabrication en dedans de dix (10) jours de la date lorsque tous défauts ou non conformité se manifeste. Que ce soit pour une réparation ou un remplacement, le Vendeur ne sera pas obligé d'enlever ou de payer pour le retrait du produit défectueux ou d'installer ou de payer pour l'installation du produit remplacé ou réparé et l'Acheteur sera responsable de tous les autres coûts, incluant mais sans s'y limiter, les coûts de service, les frais et les dépenses de transport. Le Vendeur aura une absolue discrétion en ce qui concerne la méthode ou les moyens de réparation ou de remplacement. Le non-respect de l'Acheteur de se conformer aux directives de réparation ou de remplacement du Vendeur mettra fin aux obligations du Vendeur sous cette Garantie et annulera cette Garantie. Toutes les pièces réparées ou remplacées sous la Garantie sont garanties seulement pour le restant de la période de garantie sur les pièces qui ont été réparées ou remplacées. La Garantie est conditionnelle à ce que l'Acheteur donne un avis écrit au Vendeur de tous défauts dans les matériaux ou la fabrication des biens garantis en dedans de dix (10) jours de la date lorsque tous défauts se sont manifestés.

Le Vendeur n'aura aucune obligation de garantie à l'Acheteur en ce qui a trait à tout produit ou toutes pièces qui ont été : (a) réparés par des tiers autre que le Vendeur ou sans l'approbation écrite du Vendeur; (b) sujets à une mauvaise utilisation, un usage impropre, une altération, un accident, ou dommage physique; (c) utilisés de manière contraire aux instructions du Vendeur pour l'installation, le fonctionnement ou l'entretien; (d) endommagés par l'usure ordinaire, la corrosion, ou une attaque chimique; (e) endommagés à cause de conditions anormales, de vibrations, d'un manque dans une mise en service appropriée, ou d'un fonctionnement sans débit; (f) endommagés à cause d'une alimentation électrique défectueuse ou de protection électrique inappropriée; ou (g) endommagés suite à l'utilisation d'accessoires non vendus ou approuvés par le Vendeur. Dans tous les cas de produits non fabriqués par le Vendeur, il n'y a aucune garantie de la part du Vendeur; toutefois, le Vendeur prolongera à l'Acheteur toute garantie reçue du fournisseur du Vendeur de tels produits.

LA GARANTIE QUI PRÉCÈDE EST FOURNIE À LA PLACE DE TOUTES AUTRES GARANTIES EXPRESSES. TOUTES LES GARANTIES IMPLICITES, Y COMPRIS MAIS SANS S'Y LIMITER LES GARANTIES IMPLICITES DE VALEUR MARCHANDE ET D'ADAPTABILITÉ POUR UN BUT PARTICULIER, SONT LIMITÉES À UN (1) AN DE LA DATE DE L'INSTALLATION OU DIX-HUIT (18) MOIS DU CODE DE DATE DU PRODUIT, SELON LA PREMIÈRE ÉVENTUALITÉ. SAUF LORSQU'AUTREMENT REQUIS PAR LA LOI, L'UNIQUE RECOURS DE L'ACHETEUR ET LA RESPONSABILITÉ GLOBALE DU VENDEUR POUR VIOLATION DE TOUTES GARANTIES QUI PRÉCÈDENT SONT LIMITÉS À LA RÉPARATION OU AU REMPLACEMENT DU PRODUIT ET NE SERONT EN AUCUN CAS LIMITÉS AU MONTANT PAYÉ PAR L'ACHETEUR POUR LE PRODUIT DÉFECTUEUX. DANS AUCUN CAS LE VENDEUR NE SERA RESPONSABLE DE TOUTE AUTRE FORME DE DOMMAGES, QU'ILS SOIENT DIRECTS, INDIRECTS, LIQUIDES, ACCESSOIRES, PUNITIFS, EXEMPLAIRES OU DOMMAGES SPÉCIAUX, INCLUANT MAIS SANS S'Y LIMITER LA PERTE DE PROFIT, LA PERTE D'ÉCONOMIES OU DE REVENUS ANTICIPÉS, LA PERTE DE REVENU, LA PERTE COMMERCIALE, LA PERTE DE PRODUCTION, LA PERTE D'OPPORTUNITÉ OU LA PERTE DE RÉPUTATION.

Certaines provinces ne permettent pas de limiter la durée des garanties implicites, par conséquent la limite ci-dessus peut ne pas s'appliquer à vous. Certaines provinces ne permettent pas l'exclusion ou la limite de dommages accessoires ou indirects, par conséquent les exclusions ci-dessus peuvent ne pas s'appliquer à vous. Cette garantie vous confère des droits juridiques spécifiques, et vous pouvez également jouir d'autres droits qui peuvent varier d'une juridiction à l'autre.

Pour faire une réclamation de garantie, vérifier d'abord avec le concessionnaire où vous avez acheté le produit ou visiter www.xyleminc.com pour le nom et l'emplacement du concessionnaire le plus près qui offre un service de garantie.



Xylem Inc.

2881 East Bayard Street Ext., Suite A
Seneca Falls, NY 13148

Phone (Teléfono/Téléphone): (866) 325-4210

Fax (Télécopie): (888) 322-5877

www.xylem.com/goulds

Goulds is a registered trademark of Goulds Pumps, Inc. and is used under license.
Goulds es una marca registrada de Goulds Pumps, Inc. y se utiliza bajo licencia.
Goulds est une marque déposée de Goulds Pumps, Inc. et est utilisé sous le permis.

© 2019 Xylem Inc. IM096 Revision Number 12
March (Marzo/Mars) 2019